



Japanese Technology since 1912

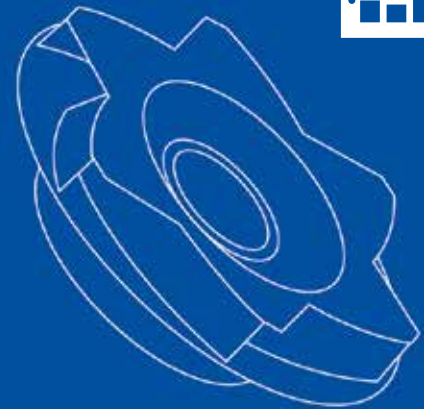
EVMS - Vertical Multistage Pumps


Data Book 50Hz



EVMS

1-3-5-10-15-20-32-45-64-90






	Page
1. SPECIFICATIONS  ①	
1.1 TYPICAL APPLICATIONS	1
1.2 PERFORMANCE RANGE	2
2. EVMS(.) 1-3-5-10-15-20-32-45-64-90	
2.1 PRODUCT FEATURES	3
2.2 PRODUCT SPECIFICATIONS	4
2.3 SHAFT SEAL	6
2.4 TYPE KEY and NAMEPLATE	8
2.5 PERFORMANCE RANGE	10
2.6 CURVE SPECIFICATIONS	11
2.7 SELECTION CHART	12
2.8 EVMS(L)1	16
EVMSG1	22
2.9 EVMS(L)3	28
EVMSG3	34
2.10 EVMS(L)5	40
EVMSG5	46
2.11 EVMS(L)10	52
EVMSG10	58
2.12 EVMS(L)15	64
EVMSG15	70
2.13 EVMS(L)20	76
EVMSG20	82
2.14 EVMS(L)32	88
EVMSG32	96
2.15 EVMS(L)45	104
EVMSG45	112
2.16 EVMS(L)64	120
EVMSG64	128
2.17 EVMS(L)90	136
EVMSG90	144
3. PACKING	
3.1 PACKING DRAWING	152
3.2 PACKING DATA	154
4. MOTOR DATA	
4.1 GENERAL and NOISE DATA	158
4.2 TECHNICAL MOTOR DATA	159

VERTICAL MULTISTAGE PUMPS

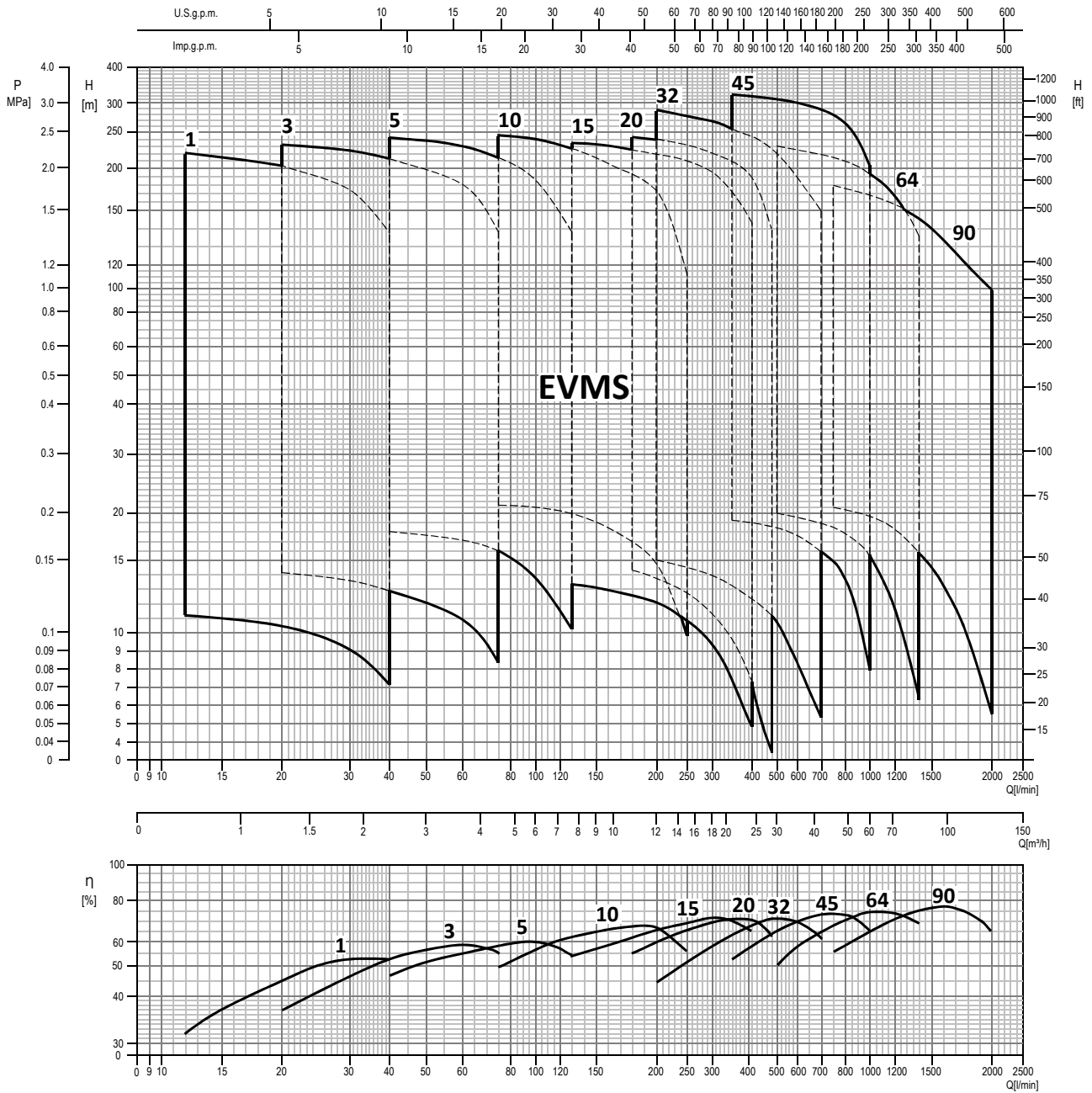
TYPICAL APPLICATIONS

1.1

TYPICAL APPLICATIONS

INDUSTRY	BUILDING SERVICE	WATER SUPPLY
		
<ul style="list-style-type: none"> • Water treatment reverse osmosis ultra-filtration water purification micro-filtration softening, ionizing and demineralising systems swimming pools separators • Boiler feeding steam systems condensate systems • Wash and clean vehicle washing systems industrial part washing laundry systems supply of liquids with acids and bases supply of chemical liquids • Chilling handling of refrigerants for cooling thermal control systems industrial cooling laser cooling • Machine tooling cooling lubricant supply for tooling machines • Pressure boosting pressure boosting for industrial use • Food & Beverage food washing systems bottle wash systems • Pharmaceutical industries • Marine applications freshwater, deckwash, high fog and fire fighting on ships 	<ul style="list-style-type: none"> • Pressure boosting pressure boosting for buildings pressure boosting for high rise buildings/hotels • Sprinkler systems • Fire fighting systems jockey pump • District heating • Heat exchangers / fan heaters • Air conditioning systems • Heating systems 	<ul style="list-style-type: none"> • Water treatment water treatment plants filtration water treatment plants transfer • Pressure boosting transfer from water treatment plants (mains) • Irrigation golf course / sport fields irrigation • Agriculture sprinkler irrigation drip irrigation

PERFORMANCE RANGE
EVMS(.)1-3-5-10-15-20-32-45-64-90



PRODUCT FEATURES

[General]

1. Pump Type

The EVMS is Non-self-priming, vertical multistage in line, centrifugal pumps.

2. Model range

The EVMS comes in **1,3,5,10,15,20,32,45,64 and 90 m³/h** flow sizes for the majority market needs.

3. Maximum operating pressure

The EVMS can be operated at **16, 25, 30 bar or 35 bar as maximum.**

4. Operating liquid temperature range

The EVMS can be operated **from - 30°C to + 140°C** as the maximum.
(please contact EBARA in case of -30°C to -15°C, or 120-140°C)

5. Material options

AISI 304, AISI 316L and Cast iron versions are available.

6. Motor







The EVMS can be coupled with **the commercial motors** that are acquired in the markets.

The EVMS is provide as the electric pumps with IE3 motors for the over 0.75 kW.

PTC sensor pre-installed for motors of 1.5 kW and above.

Unlosable screw and sealing from 0.75 kW to 45 kW are standard for terminal box fixing.

7. Certifications

	Drinking water approval					Atmospheres explosibles approval
	DM174/2004 	ACS 	DVGW * 	WRAS 	PZH 	ATEX 2014/34/UE 
<u>Mechanical seal</u>	SiC/Carbon_ EPDM	SiC/Carbon_ EPDM	All variations with EPDM on page 6-7	SiC/Carbon_ EPDM	All variations with EPDM on page 6-7	All variations on page 6-7
EVMSG	●	-	-	-	●	●
EVMS	**	●	●	●	●	●
EVMSL	**	●	●	●	●	●

Note: * DVGW W270 is certified for elastomers. Reg. Nr. DW-5253CR0217
KTW is certified for organic components.

** only for EVMS(.)1-20

● Available

8. Conform to the provisions of the European directives



[Main Product Features]

1. Innovative hydraulic solutions

- The **Commercial motors** can be fitted to all of the pump models without any modifications thanks to low pump axial thrust load.
- The low axial thrust load impellers can ensure **long life of the motor bearings**.
- **High pump efficiency** classified in MEI (see page 11).

2. Energy saving

- The **high efficiency IE3 motors** starting from 0.75 kW complied with the EuP 2005/32/EC and ErP 2009/125/EC directives.
- The **VFD (Variable frequency drive)** and the **commercial sensor** can be directly mounted on EVMS to **maintain physical constant operations** such as pumping pressure depending on the conditions of use.

3. Piping connection options

- The various pipe connections are available depending on the application requirements **Oval flange / Round flange / Loose flange / Victaulic® connection / Clamp connection**.
- The external dimensions can be adjusted to the replacement of the existing pump in the wide majority.

4. Shaft seal solutions

- Silicon carbide inclusions with graphite can be used as **dry lubricant to reduce friction**.
- It's conforming to EN12756 (ex DIN 24960)

5. Easy maintenance

- The **cartridge mechanical seal** enables the **plug in replacement** of the shaft seal without disassembling the motor bracket.
- The **spacer coupling** allows easy maintenance without having to remove heavy motors over 5.5 kW

6. Smart plug solutions

Air ventilation plug / Water filling & sensor plug / Commercial sensor fitting / Measurements for suction and discharge pressure / drain.

PRODUCT SPECIFICATIONS

EVMS(.)1-3-5-10-15-20

PUMP																				
Version		EVMSG					EVMS					EVMSL								
Operating range	Nominal flow rate (m ³ /h)	1	3	5	10	15	20	1	3	5	10	15	20	1	3	5	10	15	20	
	Maximum working pressure	1.6 / 2.5 MPa (16 / 25 bar)																		
	Liquid temperature range	-30°C to 140°C (please contact EBARA in case of -30°C to -15°C, or 120-140°C)																		
Key Components Material	Impeller	EN 1.4301 (AISI 304)										EN 1.4404 (AISI 316L)								
	Intermediate casing	EN 1.4301 (AISI 304)										EN 1.4404 (AISI 316L)								
	Liner ring	EN 1.4301 (AISI 304) + PPS										EN 1.4404 (AISI 316L) + PPS								
	Bottom casing	Cast Iron					EN 1.4301 (AISI 304)					EN 1.4404 (AISI 316L)								
	Casing cover	EN 1.4301 (AISI 304)										EN 1.4404 (AISI 316L)								
	Shaft	EN 1.4301 (AISI 304)	EVMSG / EVMS 1-3-10 , EVMSG / EVMS 5-15-20 (depend on models)																	
		EN 1.4404 (AISI 316L)	EVMSL 1-3-10 , EVMSL 5-15-20 (depend on models)																	
		EN 1.4462 (AISI 329A)	EVMSG / EVMS / EVMSL 5-15-20 (depend on models)																	
	Shaft sleeve bearing	Tungsten carbide																		
	Shaft Seal	See the shaft seal options																		
	O-ring	EPDM	●	●	●	●	●	●	●	●	●	●	●	●	●	●	●	●	●	●
		FPM	●	●	●	●	●	●	●	●	●	●	●	●	●	●	●	●	●	●
	Outer casing	EN 1.4301 (AISI 304)										EN 1.4404 (AISI 316L)								
	Motor Bracket	Cast Iron																		
Tie rod	EN 1.4057 (AISI 431)																			
Coupling	up to 4.0 kW	Die cast aluminium																		
	from 5.5 kW	Cast Iron																		
Base	Cast Iron					Die cast aluminium														
Pipe connection	Oval flange up to 16 bar	●	●	●	●	●	●	●	●	●	●	●	●	●	●	●	●	●	●	
	Round flange up to 16 bar	●	●	●	●	●	●	●	●	●	●	●	●	●	●	●	●	●	●	
	(DIN EN 1092-2) from 16 bar to 25 bar	●	●	●	●	●	●	●	●	●	●	●	●	●	●	●	●	●	●	
	Loose round flange up to 16 bar							●	●	●	●	●	●	●	●	●	●	●	●	
	(DIN EN 1092-2) from 16 bar to 25 bar							●	●	●	●	●	●	●	●	●	●	●	●	
	Victaulic® up to 16/25 bar							●	●	●	●	●	●	●	●	●	●	●	●	
Clamp up to 16/25 bar							●	●	●	●	●	●	●	●	●	●	●	●		

● Available

MOTOR			
Power Source	Frequency	50 Hz	
	Phase	Single Phase	Three Phase
	Power rating	0.37 ÷ 2.2 kW	0.37 ÷ 18.5 kW
		0.5 ÷ 3.0 HP	0.5 ÷ 25 HP
Voltage	230 ± 10% V	230/400 ± 10% V (up to 4.0 kW) 400/690 ± 10% V (above 5.5 kW)	
Type	Type	IC411 - TEFC	
	Efficiency Level	IE2 from 0.37 kW up to 2.2 kW	- : from 0.37 kW up to 0.55 kW IE3 : above 0.75 kW
	No° of poles	2	
	Protection degree	IP55 : up to 11 kW IP56 : above 15 kW	
	Insulation Class	F (temperature rise class B)	
Others	Thermal Protection	-	PTC sensor pre-installed for motors of 1.5 kW and above
	Casing Material	Aluminium	
	Flange mount (IEC motor)	IM B14 : up to 4.0 kW IM B5 : above 5.5 kW	
	Terminal Box fixing	-	Unlosable screw and sealing from 0.75 kW to 18.5 kW

PRODUCT SPECIFICATIONS EVMS(.).32-45-64-90

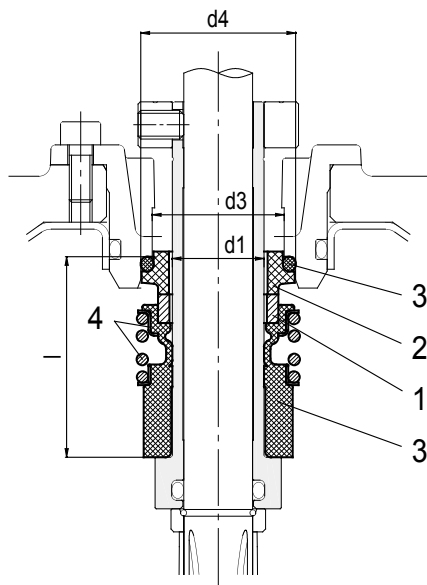
PUMP														
Version		EVMSG				EVMS				EVMSL				
		32	45	64	90	32	45	64	90	32	45	64	90	
Operating range	Nominal flow rate (m³/h)													
	Maximum working pressure	1.6 / 2.5 / 3.0 / 3.5 MPa (16 / 25 / 30 / 35 bar)												
	Liquid temperature range	-30°C to 140°C (please contact EBARA in case of -30°C to -15°C, or 120-140°C)												
Key Components Material *	Impeller	EN 1.4301 (AISI 304)				EN 1.4308 (ASTM CF8)				EN 1.4404 (AISI 316L)				
	Intermediate casing	EN 1.4301 (AISI 304)								EN 1.4404 (AISI 316L)				
	Liner ring	EN 1.4301 (AISI 304) + PPS								EN 1.4404 (AISI 316L) + PPS				
	Bottom casing	Cast Iron EN GJL-250 EN 1561 (for EVMSG32 and EVMSG45-90 up to 16 bar) Cast Iron EN GJS 400-15 EN 1563 (for EVMSG45-90 above 25 bar)				EN 1.4308 (ASTM CF8)				EN 1.4408 (ASTM CF8M)				
	Casing cover	EN 1.4301 (AISI 304)								EN 1.4404 (AISI 316L)				
	Shaft	EN 1.4301 (AISI 304)	EVMSG / EVMS 32-45-64-90 (depend on models)											
		EN 1.4404 (AISI 316L)	EVMSL 32-45-64 (depend on models)											
		EN 1.4462 (AISI 329A)	EVMSL 45-64-90 (depend on models)											
	Shaft sleeve bearing	Tungsten carbide												
	Shaft Seal	See the shaft seal options												
	O-ring	EPDM	●	●	●	●	●	●	●	●	●	●	●	●
		FPM	●	●	●	●	●	●	●	●	●	●	●	●
	Outer casing	EN 1.4301 (AISI 304)								EN 1.4404 (AISI 316L)				
	Motor Bracket	Cast Iron EN GJS 400-15 EN 1563												
	Tie rod	EN 1.4057 (AISI 431)												
Coupling	up to 4.0 kW	Die cast Aluminium EN AB-AISI11 Cu2 (Fe)												
	from 5.5 kW to 30 kW	Cast Iron EN GJL250 EN 1561												
	above 37 kW	Carbon Steel												
Base	Cast Iron EN GJL200 EN 1561													
Pipe connection	Round flange (DIN EN 1092-2)	●	●	●	●									
	Louse round flange (DIN EN 1092-2)					●	●	●	●	●	●	●	●	

● Available

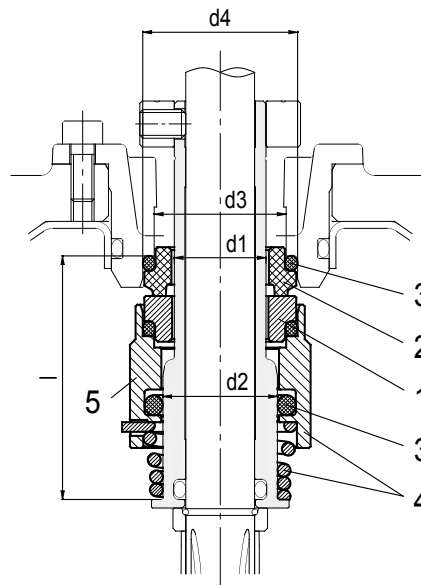
MOTOR		
Power Source	Frequency	50 Hz
	Phase	Three Phase
	Power rating	1.5 ÷ 45 kW 2.0 ÷ 60 HP
	Voltage	230/400 ± 10% V (up to 4.0 kW) 400/690 ± 10% V (above 5.5 kW)
Type	Type	IC411 - TEFC
	Efficiency Level	IE3
	No° of poles	2
	Protection degree	IP55 : up to 11 kW IP56 : above 15 kW
	Insulation Class	F (temperature rise class B)
Others	Thermal Protection	PTC
	Casing Material	Aluminium : up to 30 kW Cast Iron : above 37 kW
	Flange mount (IEC motor)	IM B14 : up to 4.0 kW IM B5 : above 5.5 kW
	Terminal Box fixing	Unlosable screw and sealing from 1.5 kW to 45 kW

SHAFT SEAL
EVMS(.)1-3-5-10-15-20

1. Shaft Seal



up to 16 bar
Cartridge Unbalanced type



up to 25 bar
Cartridge Balanced type

2. Type of Shaft Seal and Dimensions [mm]

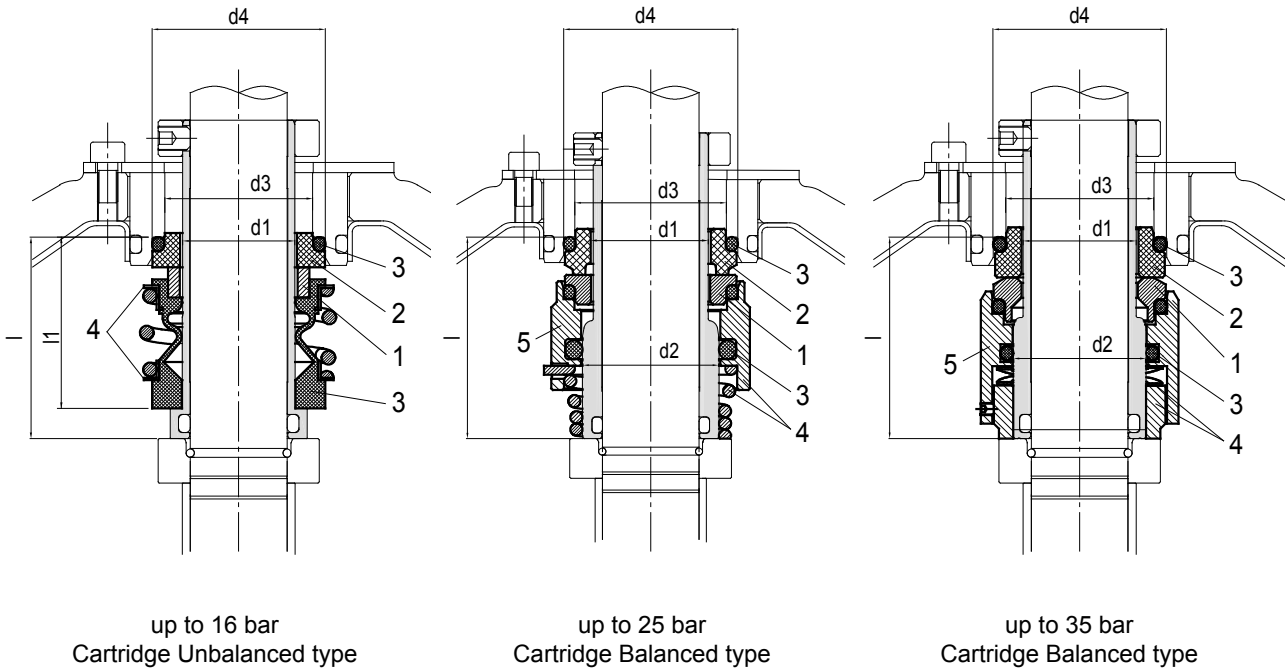
Type key	Availability	Max operating pressure	Max operating temperature	Shaft seal type		Shaft seal material								
				Cartridge		1		2		3		4		5
				Type	Code	Rotating part	Code	Stationary part	Code	Elastomers	Code	Compression spring	Collar	Code
Q1BEG	●	16 bar	- 30°C to + 120°C	Unbalanced	(-)	SiC	(Q1)	Carbon	(B)	EPDM	(E)	AISI 316		(G)
BQ1VG	●	16 bar	- 30°C to + 80°C	Unbalanced	(-)	Carbon	(B)	SiC	(Q1)	FPM	(V)	AISI 316		(G)
HQ1BEG	●	25 bar	- 30°C to + 140°C	Balanced	(H)	SiC	(Q1)	Carbon	(B)	EPDM	(E)	AISI 316		(G)
HQ1BVG	●	25 bar	- 30°C to + 80°C	Balanced	(H)	SiC	(Q1)	Carbon	(B)	FPM	(V)	AISI 316		(G)
HQgQ1EG	●	25 bar	- 30°C to + 140°C	Balanced	(H)	SiC with graphite	(Qg)	SiC	(Q1)	EPDM	(E)	AISI 316		(G)
HQgQ1VG	●	25 bar	- 30°C to + 80°C	Balanced	(H)	SiC with graphite	(Qg)	SiC	(Q1)	FPM	(V)	AISI 316		(G)

● Available

Pump model	Shaft seal type		Max operating pressure	d1 [mm]	d2 [mm]	d3 [mm]	d4 [mm]	l [mm]
EVMS 1/3/5	Cartridge	Unbalanced	16 bar	16	-	23	27	35
		Balanced	25 bar		20			42.5
EVMS 10/15/20	Cartridge	Unbalanced	16 bar	20	-	29	35	37.5
		Balanced	25 bar		24			45

SHAFT SEAL EVMS(.).32-45-64-90

1. Shaft Seal



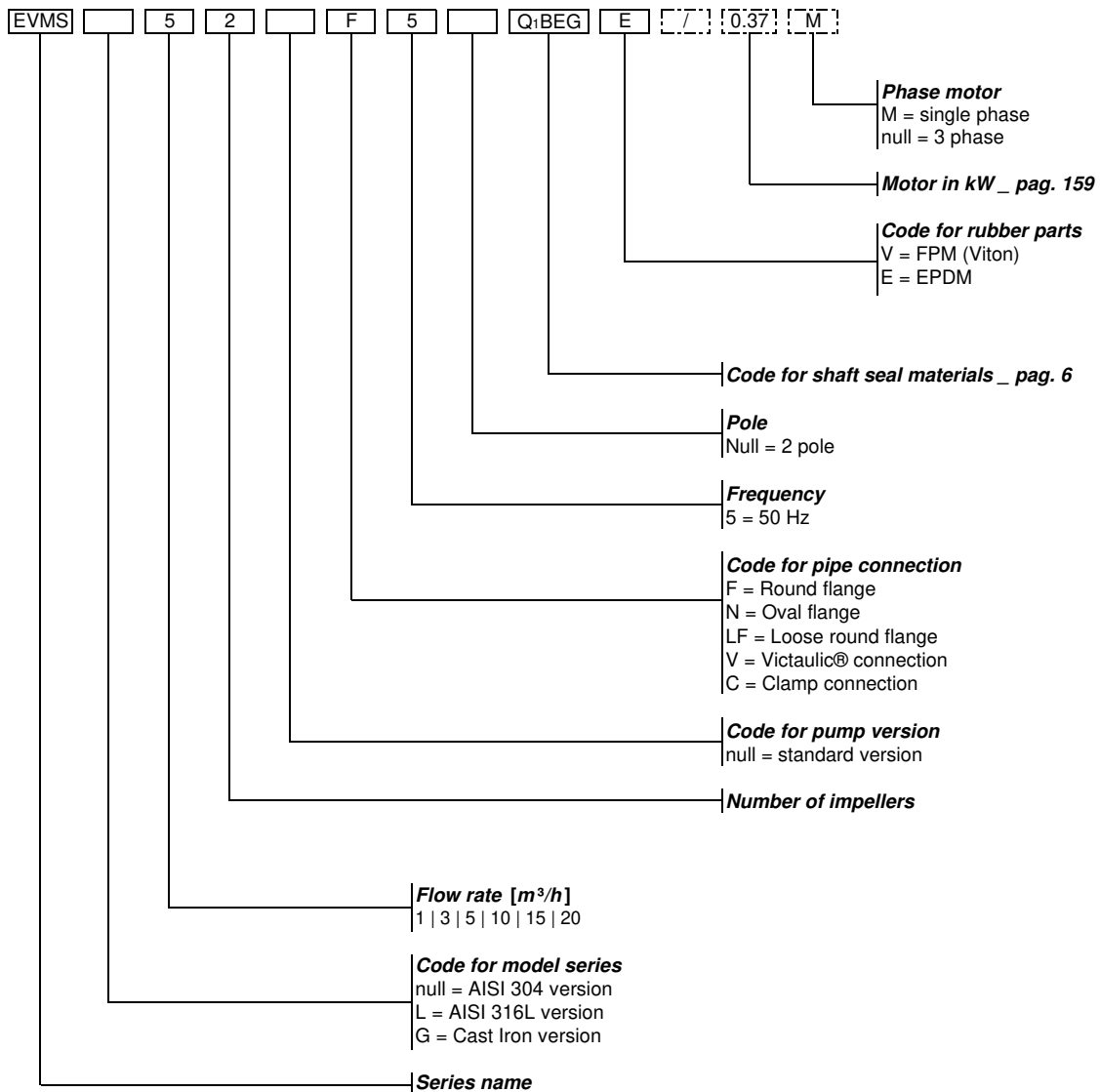
2. Type of Shaft Seal and Dimensions [mm]

Type key	Availability	Max operating pressure	Max operating temperature	Shaft seal type		Shaft seal material								
				Cartridge		1		2		3		4		5
				Type	Code	Rotating part	Code	Stationary part	Code	Elastomers	Code	Compression spring	Collar	Code
BQ1EG	●	16 bar	- 30°C to + 120°C	Unbalanced	(-)	Carbon	(B)	SiC	Q1	EPDM	(E)	AISI 316	(G)	
BQ1VG	●	16 bar	- 30°C to + 80°C	Unbalanced	(-)	Carbon	(B)	SiC	Q1	FPM	(V)	AISI 316	(G)	
HQ1BEG	●	25/35 bar	- 30°C to + 140°C	Balanced	(H)	SiC	(Q1)	Carbon	(B)	EPDM	(E)	AISI 316	(G)	
HQ1BVG	●	25/35 bar	- 30°C to + 80°C	Balanced	(H)	SiC	(Q1)	Carbon	(B)	FPM	(V)	AISI 316	(G)	
HQgQ1EG	●	25/35 bar	- 30°C to + 140°C	Balanced	(H)	SiC with graphite	(Qg)	SiC	(Q1)	EPDM	(E)	AISI 316	(G)	
HQgQ1VG	●	25/35 bar	- 30°C to + 80°C	Balanced	(H)	SiC with graphite	(Qg)	SiC	(Q1)	FPM	(V)	AISI 316	(G)	

● Available

Pump model	Shaft seal type		Max operating pressure	d1 [mm]	d2 [mm]	d3 [mm]	d4 [mm]	l [mm]	l1 [mm]
EVMS 32/45/64/90	Cartridge	Unbalanced	16 bar	28	-	37	43	50	42.5
		Balanced	25 bar		33				-
		Balanced	35 bar	-	-				



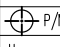
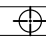
TYPE KEY
EVMS(.)1-3-5-10-15-20



Example for pump without motor:
EVMS5 2F5Q1BEG E

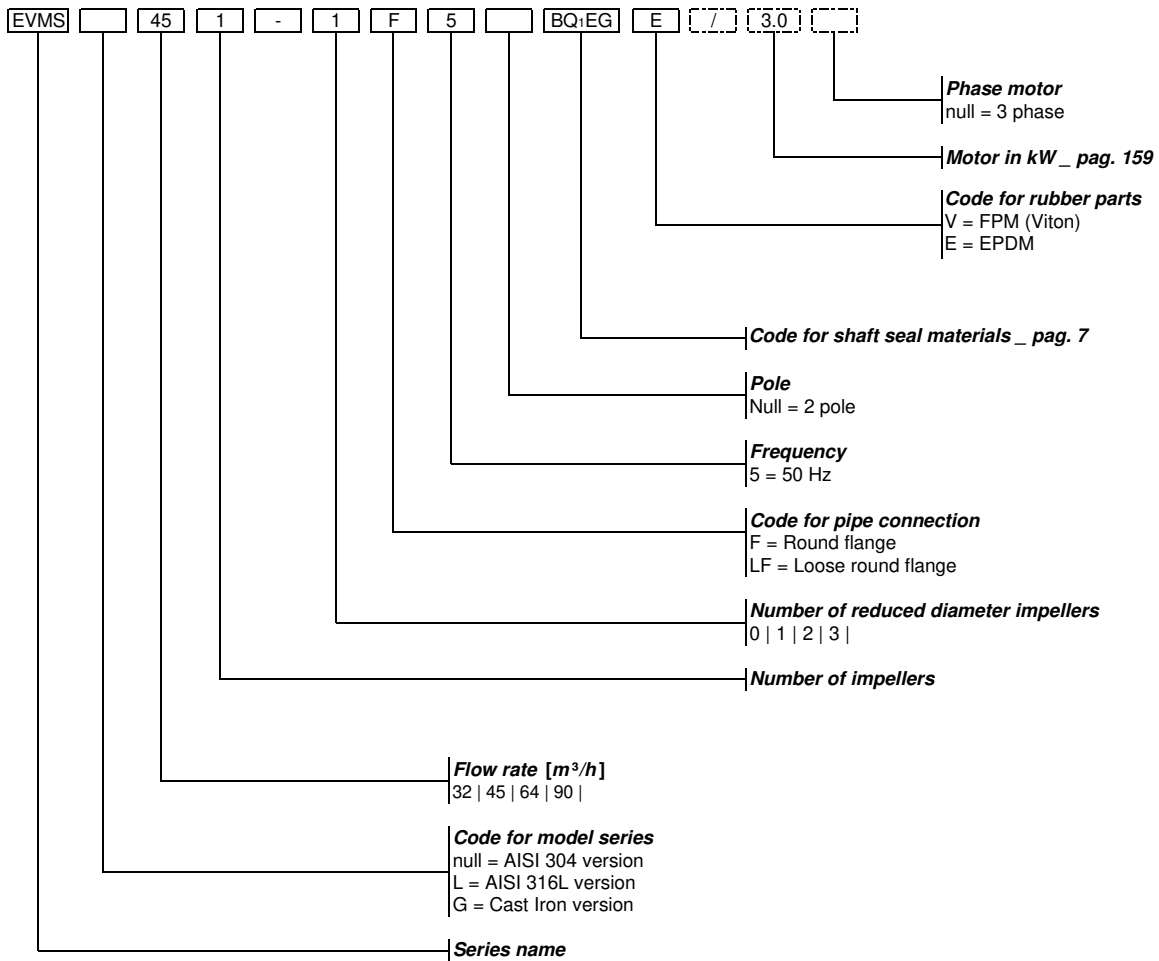
Example for pump with motor:
EVMS5 2F5Q1BEG E/0.37M

NAMEPLATE

 EBARA Pompe Europe S.p.A. Via Campo Sportivo, 30 36020 Cles (TN) Italy Phone +39 0444 708111 V.A.T. 01259480201		 MADE IN ITALY	
TYPE			
 P/N			
Hmax	m	Hmin	m
Q	l/min	H	m
P2	kW	HP	
Hz		min ⁻¹	
MEI >		Hyd. eff.	%

- "TYPE" Pump model
- "P/N" Pump item number
- "Hmax" Maximum head
- "Hmin" Minimum head
- "Q" Indicates upper and lower flow rate limits
- "H" Indicates head limits corresponding to minimum and maximum flow rate
- "P2" Rated power of the motor (output at shaft)
- "HP" Rated power of the motor expressed in HP (Horse Power)
- "Hz" Frequency
- "min-1" Speed of rotation
- "MEI" Index of the pump's quality in relation to its efficiency
- "Hyd. Eff." Hydraulic efficiency of the pump

TYPE KEY EVMS(.).32-45-64-90



Example for **pump without motor**:
EVMS45 1-1F5BQ1EG E

Example for **pump with motor**:
EVMS45 1-1F5BQ1EG E/3.0

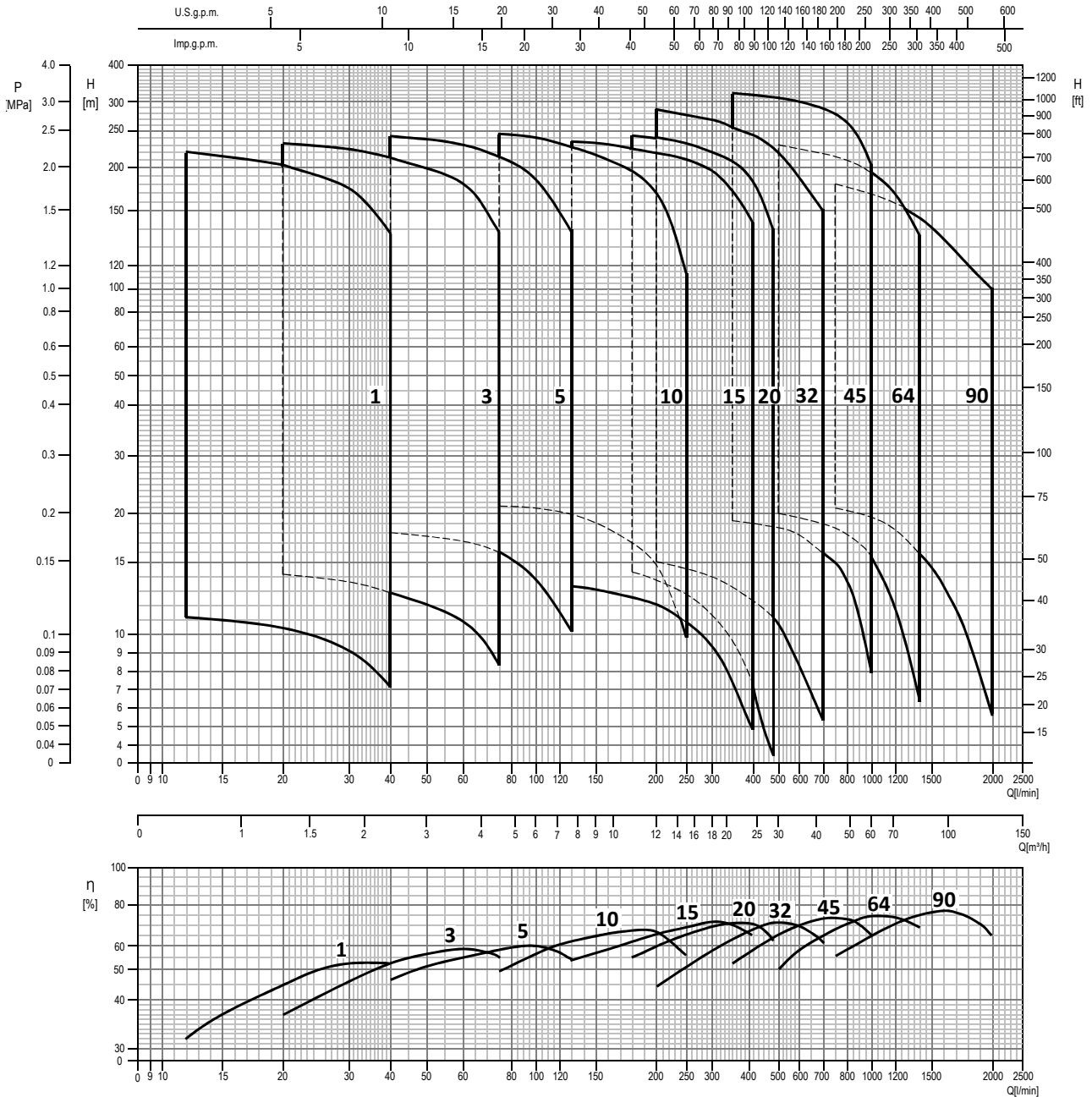
NAMEPLATE

 EBARA Pompe Europe S.p.A. Via Campo Sportivo, 30 38020 Cles (TN) ITALY Phone +39-0444 700811 V.A.T.: 025860201				 MADE IN ITALY	
TYPE					
⊕ P/N ⊕					
Hmax	m	Hmin	m		
Q	l/min	H	m		
P2	kW		HP		
Hz	min ⁻¹				
MEI >	Hyd. eff.		%		

- "TYPE" Pump model
- "P/N" Pump item number
- "Hmax" Maximum head
- "Hmin" Minimum head
- "Q" Indicates upper and lower flow rate limits
- "H" Indicates head limits corresponding to minimum and maximum flow rate
- "P2" Rated power of the motor (output at shaft)
- "HP" Rated power of the motor expressed in HP (Horse Power)
- "Hz" Frequency
- "min⁻¹" Speed of rotation
- "MEI" Index of the pump's quality in relation to its efficiency
- "Hyd. Eff." Hydraulic efficiency of the pump

PERFORMANCE RANGE
EVMS(.)1-3-5-10-15-20-32-45-64-90

PERFORMANCE RANGE



CURVE SPECIFICATIONS

The specifications below qualify the curves shown on the following pages.

Tolerances according to ISO 9906:2012 - Grade 3B.

Performance curves are defined with the following rotation speed (nominal rotation speed of the motor):

- up to 15 kW: 2900 rpm
- from 18.5 kW up to 30 kW: 2950 rpm
- 37 kW and 45 kW: 2975 rpm

Measurements were carried out with clean water at 20°C of temperature and with a kinematic viscosity of $\nu = 1 \text{ mm}^2/\text{s}$ (1 cSt).

The NPSH curve is an average curve obtained in the same conditions of performance curves.

During the pump selection, consider to get a safety margin of at least 0.5 m.

The continuous curves indicate the recommended working range. The dotted curve is only a guide.

In order to avoid the risk of over-heating, the pumps should not be used at a flow rate below 10% of best efficiency point.

Symbols explanation:

- Q - volume flow rate
- H - total head
- P_2 - pump power input (shaft power)
- η - pump efficiency
- NPSH - net positive suction head required by the pump
- MEI - minimum efficiency index
- $\varnothing D_2$ - P_2 with full diameter
- $\varnothing D_2^*$ - P_2 with reduced diameter

The minimum efficiency index (MEI) is a measure of the quality of a pump size in respect to its mean efficiency. The minimum efficiency index is based on the hydraulic efficiency and on the head at the best efficiency point.

The efficiency of a pump with trimmed impeller is usually lower than that of a pump with the full impeller diameter. The trimming of the impeller will adapt the pump to a fixed duty point, leading to a reduced energy consumption. The minimum efficiency index (MEI) is based on the full impeller diameter.

The operation of these water pumps with variable duty points may be more efficient and economical when controlled, for example, by the use of a variable speed drive that matches the pump duty to the system.

Information on benchmark efficiency is available at: www.europump.org (Ecodesign section)

Information on benchmark efficiency graph for MEI = 0.7 for the pump are available at: www.europump.org/efficiencycharts (refer to "Multistage Vertical 2900 rpm")

Minimum efficiency index (MEI)

Pump type	MEI
EVMS(.)1	> 0.70
EVMS(.)3	> 0.70
EVMS(.)5	> 0.70
EVMS(.)10	> 0.70
EVMS(.)15	> 0.70
EVMS(.)20	> 0.70
EVMS(.)32	> 0.60
EVMS(.)45	> 0.70
EVMS(.)64	> 0.40
EVMS(.)90	> 0.60

SELECTION CHART EVMS(.)1-3-5

	Pump Type		Motor			Maximum working pressure [MPa]	Q=Capacity										
							H=Total manometric head in metres										
	Single phase	Three phase	kW	HP	Size		l/min	0	12	20	30	40	60	75	100	130	
					m³/h	0	0.72	1.2	1.8	2.4	3.6	4.5	6	7.8			
1	EVMS(.)1 2/0.37M	EVMS(.)1 2/0.37	0.37	0.5	71	1.6	11.9	11.2	10.4	9.1	7.1	-	-	-	-		
	EVMS(.)1 3/0.37M	EVMS(.)1 3/0.37	0.37	0.5	71	1.6	17.9	16.8	15.6	13.6	10.6	-	-	-	-		
	EVMS(.)1 4/0.37M	EVMS(.)1 4/0.37	0.37	0.5	71	1.6	23.8	22.4	20.8	18.2	14.2	-	-	-	-		
	EVMS(.)1 5/0.37M	EVMS(.)1 5/0.37	0.37	0.5	71	1.6	30	28	26	22.7	17.7	-	-	-	-		
	EVMS(.)1 6/0.37M	EVMS(.)1 6/0.37	0.37	0.5	71	1.6	35.8	33.6	31.2	27.3	21.2	-	-	-	-		
	EVMS(.)1 7/0.37M	EVMS(.)1 7/0.37	0.37	0.5	71	1.6	41.5	39.2	36.4	31.8	24.8	-	-	-	-		
	EVMS(.)1 8/0.37M	EVMS(.)1 8/0.37	0.37	0.5	71	1.6	47.5	44.5	41.5	36.4	28.3	-	-	-	-		
	EVMS(.)1 9/0.55M	EVMS(.)1 9/0.55	0.55	0.75	71	1.6	53.5	50.5	47	41	31.8	-	-	-	-		
	EVMS(.)1 10/0.55M	EVMS(.)1 10/0.55	0.55	0.75	71	1.6	59.6	56	52	45.5	35.4	-	-	-	-		
	EVMS(.)1 11/0.55M	EVMS(.)1 11/0.55	0.55	0.75	71	1.6	65.5	61.5	57	50	38.9	-	-	-	-		
	EVMS(.)1 12/0.55M	EVMS(.)1 12/0.55	0.55	0.75	71	1.6	71.5	67	62.5	54.5	42.5	-	-	-	-		
	EVMS(.)1 13/0.55M	EVMS(.)1 13/0.55	0.55	0.75	71	1.6	77.5	73	67.5	59	46	-	-	-	-		
	EVMS(.)1 14/0.75M	EVMS(.)1 14/0.75	0.75	1	80	1.6	83.5	78.5	73	63.5	49.5	-	-	-	-		
	EVMS(.)1 16/0.75M	EVMS(.)1 16/0.75	0.75	1	80	1.6	95.5	89.5	83	72.5	56.5	-	-	-	-		
	EVMS(.)1 18/1.1M	EVMS(.)1 18/1.1	1.1	1.5	80	1.6	107	101	93.5	82	63.5	-	-	-	-		
	EVMS(.)1 20/1.1M	EVMS(.)1 20/1.1	1.1	1.5	80	1.6	119	112	104	91	71	-	-	-	-		
	EVMS(.)1 22/1.1M	EVMS(.)1 22/1.1	1.1	1.5	80	1.6	131	123	114	100	78	-	-	-	-		
	EVMS(.)1 24/1.1M	EVMS(.)1 24/1.1	1.1	1.5	80	1.6	143	135	125	109	85	-	-	-	-		
	EVMS(.)1 26/1.1M	EVMS(.)1 26/1.1	1.1	1.5	80	1.6	155	146	135	118	92	-	-	-	-		
	EVMS(.)1 27/1.5M	EVMS(.)1 27/1.5	1.5	2	90	2.5	161	151	140	123	95.5	-	-	-	-		
	EVMS(.)1 29/1.5M	EVMS(.)1 29/1.5	1.5	2	90	2.5	173	163	151	132	103	-	-	-	-		
	EVMS(.)1 32/1.5M	EVMS(.)1 32/1.5	1.5	2	90	2.5	191	179	166	145	113	-	-	-	-		
	EVMS(.)1 34/1.5M	EVMS(.)1 34/1.5	1.5	2	90	2.5	203	191	177	155	120	-	-	-	-		
	EVMS(.)1 37/2.2M	EVMS(.)1 37/2.2	2.2	3	90	2.5	221	207	192	168	131	-	-	-	-		
EVMS(.)1 39/2.2M	EVMS(.)1 39/2.2	2.2	3	90	2.5	232	219	203	177	138	-	-	-	-			
3	EVMS(.)3 2/0.37M	EVMS(.)3 2/0.37	0.37	0.5	71	1.6	14.7	-	14.1	13.6	12.9	10.9	8.3	-	-		
	EVMS(.)3 3/0.37M	EVMS(.)3 3/0.37	0.37	0.5	71	1.6	22.1	-	21.1	20.4	19.4	16.4	12.5	-	-		
	EVMS(.)3 4/0.37M	EVMS(.)3 4/0.37	0.37	0.5	71	1.6	29.5	-	28.2	27.1	25.8	21.9	16.7	-	-		
	EVMS(.)3 5/0.55M	EVMS(.)3 5/0.55	0.55	0.75	71	1.6	36.9	-	35.2	33.9	32.3	27.4	20.9	-	-		
	EVMS(.)3 6/0.55M	EVMS(.)3 6/0.55	0.55	0.75	71	1.6	44.2	-	42.5	40.5	38.8	32.8	25	-	-		
	EVMS(.)3 7/0.75M	EVMS(.)3 7/0.75	0.75	1	80	1.6	51.5	-	49.5	47.5	45	38.3	29.2	-	-		
	EVMS(.)3 8/0.75M	EVMS(.)3 8/0.75	0.75	1	80	1.6	59	-	56.5	54.5	51.5	44	33.4	-	-		
	EVMS(.)3 9/1.1M	EVMS(.)3 9/1.1	1.1	1.5	80	1.6	66.5	-	63.5	61	58	49	37.6	-	-		
	EVMS(.)3 10/1.1M	EVMS(.)3 10/1.1	1.1	1.5	80	1.6	73.5	-	70.5	68	64.5	54.5	41.5	-	-		
	EVMS(.)3 11/1.1M	EVMS(.)3 11/1.1	1.1	1.5	80	1.6	81	-	77.5	74.5	71	60	46	-	-		
	EVMS(.)3 12/1.1M	EVMS(.)3 12/1.1	1.1	1.5	80	1.6	88.5	-	84.5	81.5	77.5	65.5	50	-	-		
	EVMS(.)3 13/1.5M	EVMS(.)3 13/1.5	1.5	2	90	1.6	96	-	91.5	88	84	71	54.5	-	-		
	EVMS(.)3 14/1.5M	EVMS(.)3 14/1.5	1.5	2	90	1.6	103	-	98.5	95	90.5	76.5	58.5	-	-		
	EVMS(.)3 15/1.5M	EVMS(.)3 15/1.5	1.5	2	90	1.6	111	-	106	102	97	82	62.5	-	-		
	EVMS(.)3 16/1.5M	EVMS(.)3 16/1.5	1.5	2	90	1.6	118	-	113	109	103	87.5	67	-	-		
	EVMS(.)3 17/2.2M	EVMS(.)3 17/2.2	2.2	3	90	1.6	125	-	120	115	110	93	71	-	-		
	EVMS(.)3 19/2.2M	EVMS(.)3 19/2.2	2.2	3	90	1.6	140	-	134	129	123	104	79.5	-	-		
	EVMS(.)3 21/2.2M	EVMS(.)3 21/2.2	2.2	3	90	1.6	155	-	148	142	136	115	87.5	-	-		
	EVMS(.)3 23/2.2M	EVMS(.)3 23/2.2	2.2	3	90	2.5	170	-	162	156	149	126	96	-	-		
	EVMS(.)3 24/2.2M	EVMS(.)3 24/2.2	2.2	3	90	2.5	177	-	169	163	155	131	100	-	-		
	-	EVMS(.)3 25/3.0	3.0	4	100	2.5	184	-	176	170	161	137	104	-	-		
	-	EVMS(.)3 27/3.0	3.0	4	100	2.5	199	-	190	183	174	148	113	-	-		
	-	EVMS(.)3 29/3.0	3.0	4	100	2.5	214	-	204	197	187	159	121	-	-		
	-	EVMS(.)3 31/3.0	3.0	4	100	2.5	229	-	218	210	200	170	129	-	-		
-	EVMS(.)3 33/3.0	3.0	4	100	2.5	243	-	232	224	213	181	138	-	-			
5	EVMS(.)5 2/0.37M	EVMS(.)5 2/0.37	0.37	0.5	71	1.6	19	-	-	-	18	17.1	16	13.8	10.2		
	EVMS(.)5 3/0.55M	EVMS(.)5 3/0.55	0.55	0.75	71	1.6	28.4	-	-	-	26.9	25.6	23.9	20.7	15.3		
	EVMS(.)5 4/0.75M	EVMS(.)5 4/0.75	0.75	1	80	1.6	37.9	-	-	-	35.9	34.1	31.9	27.6	20.4		
	EVMS(.)5 5/1.1M	EVMS(.)5 5/1.1	1.1	1.5	80	1.6	47.5	-	-	-	45	42.5	39.9	34.5	25.5		
	EVMS(.)5 6/1.5M	EVMS(.)5 6/1.5	1.5	2	90	1.6	57	-	-	-	54	51	48	41.5	30.6		
	EVMS(.)5 7/1.5M	EVMS(.)5 7/1.5	1.5	2	90	1.6	66.5	-	-	-	63	59.5	56	48.5	35.7		
	EVMS(.)5 8/2.2M	EVMS(.)5 8/2.2	2.2	3	90	1.6	76	-	-	-	72	68	64	55	41		
	EVMS(.)5 9/2.2M	EVMS(.)5 9/2.2	2.2	3	90	1.6	85.5	-	-	-	81	77	72	62	46		
	EVMS(.)5 10/2.2M	EVMS(.)5 10/2.2	2.2	3	90	1.6	95	-	-	-	90	85.5	80	69	51		
	EVMS(.)5 11/2.2M	EVMS(.)5 11/2.2	2.2	3	90	1.6	104	-	-	-	98.5	94	87.5	76	56		
	-	EVMS(.)5 12/3.0	3.0	4	100	1.6	114	-	-	-	108	102	95.5	83	61		
	-	EVMS(.)5 13/3.0	3.0	4	100	1.6	123	-	-	-	117	111	104	89.5	66.5		
	-	EVMS(.)5 14/3.0	3.0	4	100	1.6	133	-	-	-	126	119	112	96.5	71.5		
	-	EVMS(.)5 15/3.0	3.0	4	100	1.6	142	-	-	-	135	128	120	104	76.5		
	-	EVMS(.)5 17/4.0	4.0	5.5	112	1.6	161	-	-	-	153	145	136	117	86.5		
	-	EVMS(.)5 19/4.0	4.0	5.5	112	2.5	180	-	-	-	171	162	152	131	97		
	-	EVMS(.)5 20/4.0	4.0	5.5	112	2.5	190	-	-	-	179	171	160	138	102		
	-	EVMS(.)5 23/5.5	5.5	7.5	132	2.5	218	-	-	-	206	196	183	159	117		
	-	EVMS(.)5 25/5.5	5.5	7.5	132	2.5	237	-	-	-	224	213	199	173	127		
	-	EVMS(.)5 27/5.5	5.5	7.5	132	2.5	256	-	-	-	242	230	215	186	138		

1.6 MPa=16 bar; 2.5 MPa=25 bar

SELECTION CHART EVMS(.)10-15-20

Pump Type		Motor			Maximum working pressure [MPa]	Q=Capacity															
		kW	HP	Size		l/min	0	75	100	130	150	180	200	250	300	350	400	450	480		
Single phase	Three phase					m ³ /h	0	4.5	6	7.8	9	10.8	12	15	18	21	24	27	28.8		
H=Total manometric head in metres																					
10	EVMS(.)10 2/0.75M	EVMS(.)10 2/0.75	0.75	1	80	1.6	21.8	21.2	20.8	19.7	18.7	16.6	14.9	9.8	-	-	-	-	-	-	
	EVMS(.)10 3/1.5M	EVMS(.)10 3/1.5	1.5	2	90	1.6	32.7	31.8	31.2	29.6	28.0	24.9	22.4	14.7	-	-	-	-	-	-	
	EVMS(.)10 4/2.2M	EVMS(.)10 4/2.2	2.2	3	90	1.6	43.6	42.4	41.7	39.5	37.3	33.2	29.8	19.6	-	-	-	-	-	-	
	EVMS(.)10 5/2.2M	EVMS(.)10 5/2.2	2.2	3	90	1.6	54.5	53	52	49.3	46.7	41.5	37.3	24.6	-	-	-	-	-	-	
	EVMS(.)10 6/2.2M	EVMS(.)10 6/2.2	2.2	3	90	1.6	65.5	63.5	62.5	59	56	50	45	29.5	-	-	-	-	-	-	
	-	EVMS(.)10 7/3.0	3.0	4	100	1.6	76.5	74	73	69	65.5	58	52	34.4	-	-	-	-	-	-	
	-	EVMS(.)10 8/3.0	3.0	4	100	1.6	87.0	84.5	83.5	79	74.5	66.5	59.5	39.3	-	-	-	-	-	-	
	-	EVMS(.)10 9/4.0	4.0	5.5	112	1.6	98	95.5	93.5	89	84	74.5	67	44	-	-	-	-	-	-	
	-	EVMS(.)10 10/4.0	4.0	5.5	112	1.6	109	106	104	98.5	93.5	83	74.5	49	-	-	-	-	-	-	
	-	EVMS(.)10 11/4.0	4.0	5.5	112	1.6	120	116	115	109	103	91.5	82	54	-	-	-	-	-	-	
	-	EVMS(.)10 12/5.5	5.5	7.5	132	1.6	131	127	125	118	112	99.5	89.5	59	-	-	-	-	-	-	
	-	EVMS(.)10 14/5.5	5.5	7.5	132	1.6	153	148	146	138	131	116	104	68.5	-	-	-	-	-	-	
	-	EVMS(.)10 15/5.5	5.5	7.5	132	1.6	163	159	156	148	140	124	112	73.5	-	-	-	-	-	-	
	-	EVMS(.)10 16/7.5	7.5	10	132	2.5	174	169	167	158	149	133	119	78.5	-	-	-	-	-	-	
	-	EVMS(.)10 18/7.5	7.5	10	132	2.5	196	191	187	178	168	149	134	88.5	-	-	-	-	-	-	
	-	EVMS(.)10 19/7.5	7.5	10	132	2.5	207	201	198	188	177	158	142	93.5	-	-	-	-	-	-	
-	EVMS(.)10 21/7.5	7.5	10	132	2.5	229	222	219	207	196	174	157	103	-	-	-	-	-	-		
-	EVMS(.)10 22/11	11	15	160	2.5	240	233	229	217	205	183	164	108	-	-	-	-	-	-		
-	EVMS(.)10 23/11	11	15	160	2.5	251	244	240	227	215	191	172	113	-	-	-	-	-	-		
15	EVMS(.)15 1/1.1M	EVMS(.)15 1/1.1	1.1	1.5	80	1.6	14.9	-	-	13.3	13	12.4	12.1	10.8	9.5	7.5	4.8	-	-	-	
	EVMS(.)15 2/2.2M	EVMS(.)15 2/2.2	2.2	3	90	1.6	29.5	-	-	27.5	27.1	26	26.1	24.9	23.1	20.4	16.8	-	-	-	
	-	EVMS(.)15 3/3.0	3.0	4	100	1.6	44.5	-	-	41.5	40.5	39.7	39.1	37.3	34.7	30.6	25.2	-	-	-	
	-	EVMS(.)15 4/4.0	4.0	5.5	112	1.6	59	-	-	55	54.5	53	52	50	46.5	41	33.6	-	-	-	
	-	EVMS(.)15 5/5.5	5.5	7.5	132	1.6	73.5	-	-	69	68	66	65	62	58	51	42	-	-	-	
	-	EVMS(.)15 6/5.5	5.5	7.5	132	1.6	88.5	-	-	82.5	81.5	79.5	78	74.5	69.5	61	50.5	-	-	-	
	-	EVMS(.)15 7/7.5	7.5	10	132	1.6	103	-	-	96.5	95.0	92.5	91	87	81	71.5	58.5	-	-	-	
	-	EVMS(.)15 8/7.5	7.5	10	132	1.6	118	-	-	110	109	106	104	99.5	92.5	81.5	67	-	-	-	
	-	EVMS(.)15 9/11	11	15	160	1.6	133	-	-	124	122	119	117	112	104	92	75.5	-	-	-	
	-	EVMS(.)15 10/11	11	15	160	1.6	147	-	-	138	136	132	130	124	116	102	84	-	-	-	
	-	EVMS(.)15 11/11	11	15	160	1.6	162	-	-	151	149	146	143	137	127	112	92.5	-	-	-	
	-	EVMS(.)15 12/11	11	15	160	2.5	177	-	-	165	163	159	156	149	139	122	101	-	-	-	
-	EVMS(.)15 13/11	11	15	160	2.5	191	-	-	179	176	172	169	162	150	133	109	-	-	-		
-	EVMS(.)15 15/15	15	20	160	2.5	221	-	-	206	203	199	195	187	174	153	126	-	-	-		
-	EVMS(.)15 17/15	15	20	160	2.5	250	-	-	234	231	225	221	211	197	173	143	-	-	-		
20	EVMS(.)20 1/1.5M	EVMS(.)20 1/1.5	1.5	2	90	1.6	17.2	-	-	-	-	14.3	13.9	12.8	11.3	9.6	7.3	4.3	2.4		
	-	EVMS(.)20 2/3.0	3.0	4	100	1.6	33.7	-	-	-	-	30.4	29.9	28.9	27.7	26.2	23.6	19.9	17.4		
	-	EVMS(.)20 3/4.0	4.0	5.5	112	1.6	50.5	-	-	-	-	46	45	43.4	41.6	39.2	35.5	29.9	26.2		
	-	EVMS(.)20 4/5.5	5.5	7.5	132	1.6	67.4	-	-	-	-	61	60	58	55.4	52.3	47.3	39.8	34.9		
	-	EVMS(.)20 5/7.5	7.5	10	132	1.6	84.2	-	-	-	-	76.0	75	72.3	69.3	65.4	59	49.8	43.6		
	-	EVMS(.)20 6/7.5	7.5	10	132	1.6	101	-	-	-	-	91.2	90	87	83.1	78.5	71	59.7	52.3		
	-	EVMS(.)20 7/11	11	15	160	1.6	118	-	-	-	-	106	105	101	97	91.5	82.7	70	61.1		
	-	EVMS(.)20 8/11	11	15	160	1.6	135	-	-	-	-	122	120	116	111	105	95	80	70		
	-	EVMS(.)20 9/11	11	15	160	1.6	152	-	-	-	-	137	135	130	125	118	106	89.6	79		
	-	EVMS(.)20 10/11	11	15	160	2.5	168	-	-	-	-	152	150	145	139	131	118	100	87		
	-	EVMS(.)20 11/15	15	20	160	2.5	185	-	-	-	-	167	165	159	152	144	130	110	96		
	-	EVMS(.)20 12/15	15	20	160	2.5	202	-	-	-	-	182	179	173	166	157	142	119	105		
	-	EVMS(.)20 13/15	15	20	160	2.5	219	-	-	-	-	198	194	188	180	170	154	129	113		
	-	EVMS(.)20 14/18.5	18.5	25	160	2.5	244	-	-	-	-	221	217	210	202	191	175	149	130		
-	EVMS(.)20 15/18.5	18.5	25	160	2.5	262	-	-	-	-	237	232	225	216	205	186	159	141			
-	EVMS(.)20 16/18.5	18.5	25	160	2.5	279	-	-	-	-	252	248	240	231	218	199	170	150			

1.6 MPa=16 bar; 2.5 MPa=25 bar

SELECTION CHART
EVMS(.)32-45

SELECTION CHART

Pump Type	kW	Motor HP	Size	Maximum working pressure (MPa)	Q=Capacity										
					l/min	0	200	350	500	600	700	800	900	1000	
					m ³ /h	0	12	21	30	36	42	48	54	60	
Three phase															
H=Total manometric head in metres															
32	EVMS(.)32 1-1/1.5	1.5	2	90	1.6	17.1	15	12.7	10.8	8.3	5.3	-	-	-	
	EVMS(.)32 1-0/2.2	2.2	3	90	1.6	20.2	18.8	16.0	13.2	11	7.9	-	-	-	
	EVMS(.)32 2-2/3.0	3.0	4	100	1.6	34.5	31	28.5	23.5	19.2	13.4	-	-	-	
	EVMS(.)32 2-0/4.0	4.0	5.5	112	1.6	43	40	34.8	28.5	23.8	17.9	-	-	-	
	EVMS(.)32 3-2/5.5	5.5	7.5	132	1.6	57	52	46	37.8	31.4	23.3	-	-	-	
	EVMS(.)32 3-0/5.5	5.5	7.5	132	1.6	63	59	52	43	36.4	28.2	-	-	-	
	EVMS(.)32 4-2/7.5	7.5	10	132	1.6	76.5	71	62	52.5	44	33.3	-	-	-	
	EVMS(.)32 4-0/7.5	7.5	10	132	1.6	83.5	79	70	58	49.5	38.7	-	-	-	
	EVMS(.)32 5-2/11	11	15	160	1.6	100	92.5	80	66.5	55.5	41.5	-	-	-	
	EVMS(.)32 5-0/11	11	15	160	1.6	105	99	87	72.5	62	48	-	-	-	
	EVMS(.)32 6-2/11	11	15	160	1.6	119	111	98	81	68	51.5	-	-	-	
	EVMS(.)32 6-0/11	11	15	160	1.6	127	121	104	86.5	74	57.5	-	-	-	
	EVMS(.)32 7-2/15	15	20	160	1.6	139	130	115	95.5	80.5	62	-	-	-	
	EVMS(.)32 7-0/15	15	20	160	1.6	146	138	122	101	86	67	-	-	-	
	EVMS(.)32 8-2/15	15	20	160	2.5	160	150	132	110	93.5	72.5	-	-	-	
	EVMS(.)32 8-0/15	15	20	160	2.5	167	159	140	117	99.5	79.5	-	-	-	
	EVMS(.)32 9-2/15	15	20	160	2.5	182	171	151	127	108	83.5	-	-	-	
	EVMS(.)32 9-1/15	15	20	160	2.5	187	178	157	132	115	90	-	-	-	
	EVMS(.)32 10-2/18.5	18.5	25	160	2.5	210	198	176	147	126	100	-	-	-	
	EVMS(.)32 10-0/18.5	18.5	25	160	2.5	216	206	180	151	130	104	-	-	-	
	EVMS(.)32 11-2/18.5	18.5	25	160	2.5	233	213	194	163	139	112	-	-	-	
	EVMS(.)32 11-1/18.5	18.5	25	160	2.5	239	222	201	169	145	116	-	-	-	
	EVMS(.)32 12-2/22	22	30	180	3.0	253	238	210	178	153	121	-	-	-	
	EVMS(.)32 12-0/22	22	30	180	3.0	255	243	215	182	155	126	-	-	-	
	EVMS(.)32 13-2/22	22	30	180	3.0	272	257	229	195	167	136	-	-	-	
	EVMS(.)32 13-0/22	22	30	180	3.0	278	264	235	200	171	139	-	-	-	
	EVMS(.)32 14-2/30	30	40	200	3.0	290	276	247	212	182	144	-	-	-	
	EVMS(.)32 14-0/30	30	40	200	3.0	300	285	253	218	186	152	-	-	-	
	45	EVMS(.)45 1-1/3.0	3.0	4	100	1.6	25.1	-	19.2	18.3	17.5	15.9	13.9	11	7.9
		EVMS(.)45 1-0/4.0	4.0	5.5	112	1.6	28.4	-	24.7	23.2	22.1	20.4	18.6	16.7	14.3
		EVMS(.)45 2-2/5.5	5.5	7.5	132	1.6	48.5	-	38.5	36.8	35.1	31.7	27.7	22.6	16.3
		EVMS(.)45 2-0/7.5	7.5	10	132	1.6	54	-	49	46.5	44.5	41.5	38.1	33.6	28.7
EVMS(.)45 3-2/11		11	15	160	1.6	77	-	63	60	57	52	46.5	39.4	30.8	
EVMS(.)45 3-0/11		11	15	160	1.6	81	-	73	69.5	67	63	57.5	50.5	44	
EVMS(.)45 4-2/15		15	20	160	1.6	102	-	87.5	83	79.5	73.5	66	56	45	
EVMS(.)45 4-0/15		15	20	160	1.6	105	-	97.5	92	89.5	83.5	76.5	68.5	58	
EVMS(.)45 5-2/18.5		18.5	25	160	1.6	130	-	116	110	106	99.5	90	79	65	
EVMS(.)45 5-0/18.5		18.5	25	160	1.6	134	-	125	119	116	109	101	90.5	78.5	
EVMS(.)45 6-2/22		22	30	180	2.5	158	-	140	133	130	122	111	98	81.5	
EVMS(.)45 6-0/22		22	30	180	2.5	162	-	151	143	139	132	121	109	94	
EVMS(.)45 7-2/30		30	40	200	2.5	181	-	165	157	153	144	131	116	98.5	
EVMS(.)45 7-0/30		30	40	200	2.5	186	-	175	167	162	154	142	127	110	
EVMS(.)45 8-2/30		30	40	200	2.5	209	-	192	183	178	169	154	137	117	
EVMS(.)45 8-0/30		30	40	200	2.5	212	-	200	191	187	177	163	147	127	
EVMS(.)45 9-2/30		30	40	200	2.5	233	-	214	205	200	189	173	153	129	
EVMS(.)45 9-0/37		37	50	200	2.5	243	-	229	218	214	203	188	170	147	
EVMS(.)45 10-2/37		37	50	200	3.5	269	-	246	233	227	213	196	174	147	
EVMS(.)45 10-0/37		37	50	200	3.5	269	-	253	243	236	225	208	188	163	
EVMS(.)45 11-2/45	45	60	225	3.5	298	-	272	258	250	236	217	193	164		
EVMS(.)45 11-0/45	45	60	225	3.5	296	-	279	267	260	248	229	207	179		
EVMS(.)45 12-2/45	45	60	225	3.5	326	-	297	282	275	259	238	213	181		
EVMS(.)45 12-0/45	45	60	225	3.5	323	-	304	292	284	270	250	225	196		
EVMS(.)45 13-2/45	45	60	225	3.5	342	-	320	307	300	286	264	234	203		

1.6 MPa=16 bar; 2.5 MPa=25 bar; 3.0 MPa=30 bar; 3.5 MPa=35 bar

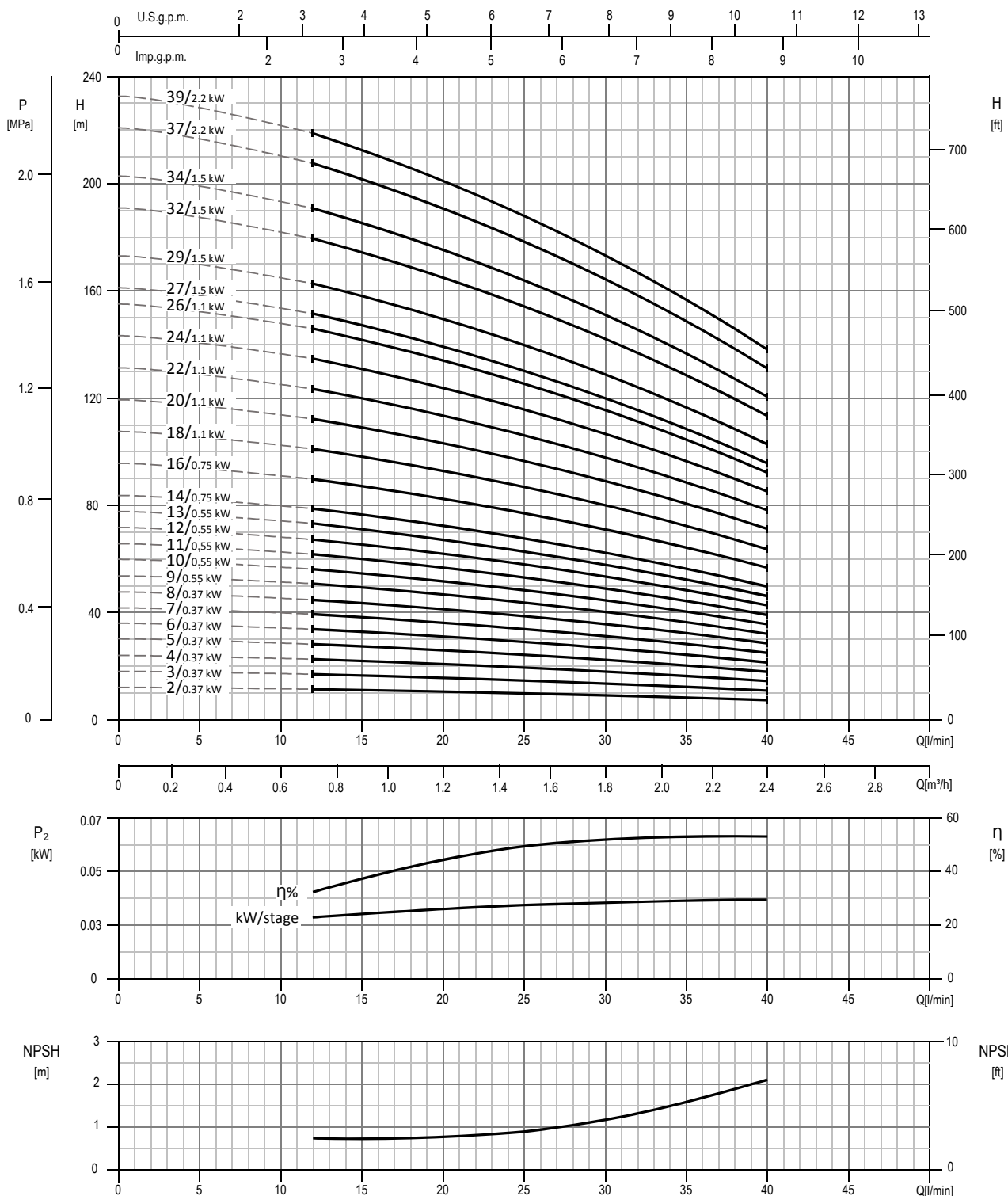
SELECTION CHART EVMS(.)64-90

Pump Type	Motor			Maximum working pressure (MPa)	Q=Capacity													
	kW	HP	Size		l/min	500	600	750	1000	1200	1230	1330	1400	1600	1800	2000		
					0	30	36	45	60	72	80	84	96	108	120			
Three phase					H=Total manometric head in metres													
64	EVMS(.)64 1-1/4.0	4.0	5.5	112	1.6	21,4	19	18,7	17,7	14,4	10,4	9,5	6,4	5,9	-	-	-	
	EVMS(.)64 1-0/5.5	5.5	7.5	132	1.6	33,2	26,8	26,9	25,1	21	17,8	17,1	14,3	14	-	-	-	
	EVMS(.)64 2-2/7.5	7.5	10	132	1.6	42,5	37,7	37,6	36,4	30,6	22,9	22,1	20,7	12,8	-	-	-	
	EVMS(.)64 2-1/11	11	15	160	1.6	53	46,5	45,5	43,5	35,9	29,9	28,6	23,3	22,9	-	-	-	
	EVMS(.)64 2-0/15	15	20	160	1.6	64	54	51,5	49,5	42,5	36,8	35,4	30	29,7	-	-	-	
	EVMS(.)64 3-2/15	15	20	160	1.6	74	64,5	64	61,5	51,5	42	38,4	35,3	31	-	-	-	
	EVMS(.)64 3-1/15	15	20	160	1.6	84,5	74,5	72	68,5	58,5	49	47,5	41	37,9	-	-	-	
	EVMS(.)64 3-0/18.5	18.5	25	160	1.6	98	83,5	79	75	69	56,5	54,5	47,5	48	-	-	-	
	EVMS(.)64 4-2/18.5	18.5	25	160	1.6	108	95,5	94	90	77,5	65	62,5	53,5	49,5	-	-	-	
	EVMS(.)64 4-1/22	22	30	180	1.6	116	103	97	95	85	71,5	70	66	56,5	-	-	-	
	EVMS(.)64 4-0/22	22	30	180	1.6	126	108	101	100	91	80	77,5	68	64,5	-	-	-	
	EVMS(.)64 5-2/30	30	40	200	1.6	136	120	116	114	99	85	82,5	71,5	66,5	-	-	-	
	EVMS(.)64 5-1/30	30	40	200	1.6	146	130	123	120	107	93,5	90	76,5	76	-	-	-	
	EVMS(.)64 5-0/30	30	40	200	1.6	156	137	129	126	115	101	98	87	82	-	-	-	
	EVMS(.)64 6-2/30	30	40	200	2.5	164	144	142	138	124	107	103	86	86	-	-	-	
	EVMS(.)64 6-1/37	37	50	200	2.5	172	154	147	143	131	114	110	94,5	92,5	-	-	-	
	EVMS(.)64 6-0/37	37	50	200	2.5	183	162	156	151	141	125	122	106	100	-	-	-	
	EVMS(.)64 7-2/37	37	50	200	2.5	196	173	170	165	148	129	127	113	104	-	-	-	
	EVMS(.)64 7-1/37	37	50	200	2.5	209	185	176	171	157	138	134	117	111	-	-	-	
	EVMS(.)64 7-0/45	45	60	225	2.5	225	198	194	185	166	146	142	123	119	-	-	-	
EVMS(.)64 8-2/45	45	60	225	2.5	237	210	205	198	176	152	147	132	122	-	-	-		
EVMS(.)64 8-1/45	45	60	225	2.5	248	220	211	204	183	158	154	139	130	-	-	-		
EVMS(.)64 8-0/45	45	60	225	2.5	258	226	218	211	191	167	163	147	138	-	-	-		
90	EVMS(.)90 1-1/5.5	5.5	7.5	132	1.6	27,2	-	-	21,2	19,4	17,9	17,6	16,5	15,6	12,3	8,4	4,5	
	EVMS(.)90 1-0/7.5	7.5	10	132	1.6	35,1	-	-	28,2	25,7	23,2	22,8	21,7	20,9	18,5	14,9	11	
	EVMS(.)90 2-2/11	11	15	160	1.6	52,5	-	-	45	41	38,1	37,7	35,8	34	27,6	21,3	14,5	
	EVMS(.)90 2-0/15	15	20	160	1.6	69	-	-	58,5	53	49	48,5	46,4	45	40	34,6	28,5	
	EVMS(.)90 3-2/18.5	18.5	25	160	1.6	88	-	-	76	71	66	65	61	59	52	43	32,5	
	EVMS(.)90 3-0/22	22	30	180	1.6	104	-	-	90	83	77	76	73	71	64	56	48	
	EVMS(.)90 4-2/30	30	40	200	1.6	120	-	-	106	98	92	91	88	85	74	64	51	
	EVMS(.)90 4-0/30	30	40	200	1.6	136	-	-	119	110	103	102	98,5	95,5	87	77	66	
	EVMS(.)90 5-2/37	37	50	200	2.5	161	-	-	140	131	122	120	114	111	99,5	85	70	
	EVMS(.)90 5-0/37	37	50	200	2.5	177	-	-	155	144	135	133	127	124	112	100	86	
	EVMS(.)90 6-2/45	45	60	225	2.5	188	-	-	163	154	146	144	140	135	120	105	87	
	EVMS(.)90 6-0/45	45	60	225	2.5	213	-	-	188	176	164	162	155	150	136	121	104	

1.6 MPa=16 bar; 2.5 MPa=25 bar

PERFORMANCE CURVE
EVMS(L)1

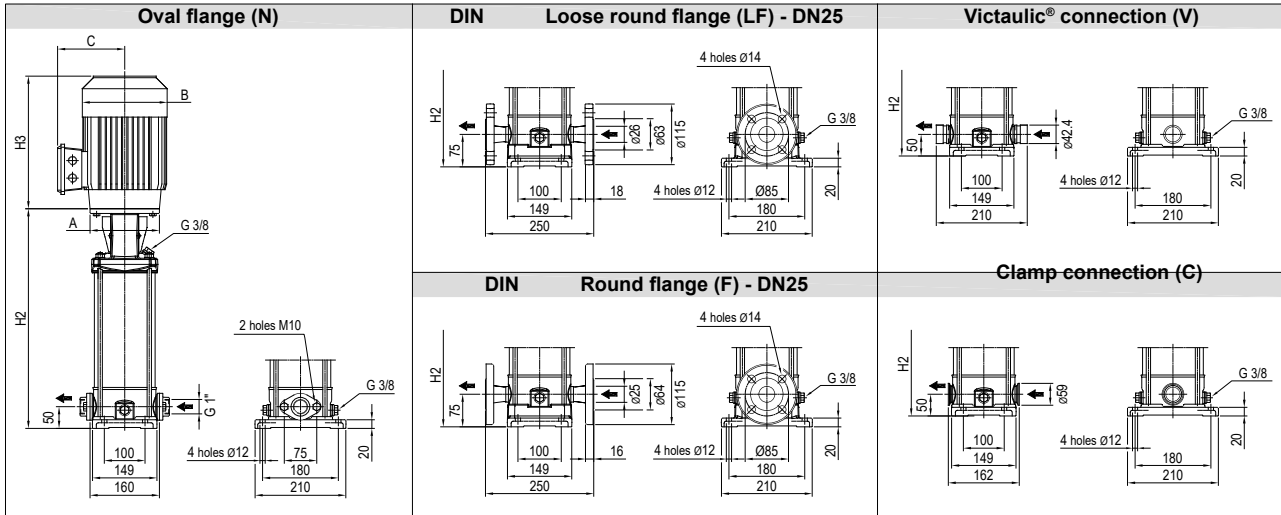
EVMS(L)1



Test standard: ISO 9906:2012 - Grade 3B

TECHNICAL DATA EVMS(L)1

Dimensional sketch



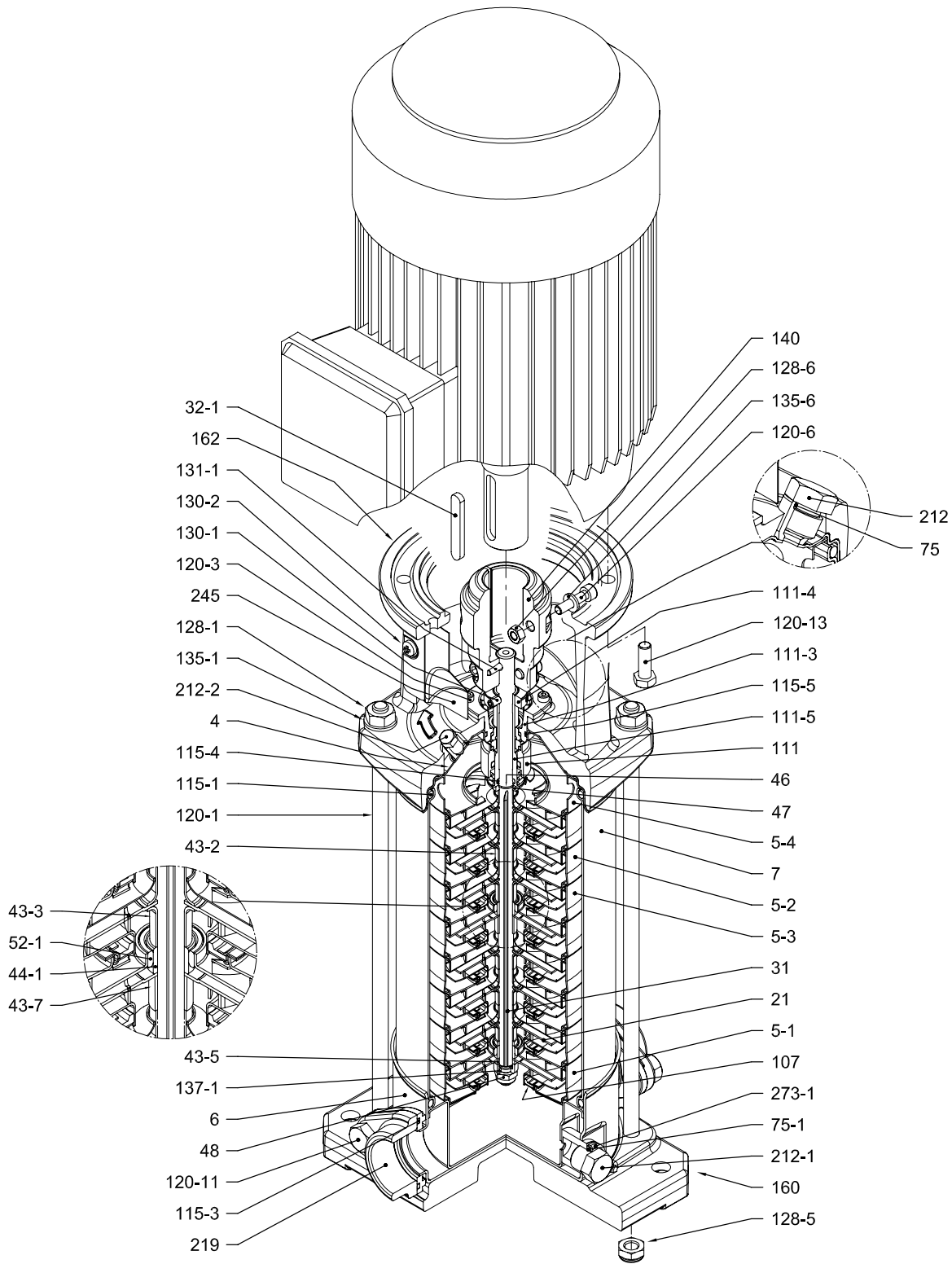
Dimensions [mm] and Weights [Kg]

Pump Type	P _{max} [MPa]	kW	Size	Motor								Oval flange (N)				Loose round flange (LF) Round flange (F)				Victaulic® connection (V) Clamp connection (C)						
				1~				3~				H2	H2+H3		Weight Pump	Weight Pump + Motor		H2	H2+H3		Weight Pump	Weight Pump + Motor				
				A	B	C	Ø	B	C	1~	3~		1~	3~		1~	3~		1~	3~		1~	3~			
EVMS(L)1 2/0.37	1.6	0.37	71	105	139	124	141	119	250	466	452	9.7	18,2	16,2	275	491	477	10.4	18,9	16,9	250	466	452	9.7	18,2	16,2
EVMS(L)1 3/0.37	1.6	0.37	71	105	139	124	141	119	271	487	473	10.2	18,7	16,7	296	512	498	10.9	19,4	17,4	271	487	473	10.2	18,7	16,7
EVMS(L)1 4/0.37	1.6	0.37	71	105	139	124	141	119	292	508	494	10.6	19,1	17,1	317	533	519	11.3	19,8	17,8	292	508	494	10.6	19,1	17,1
EVMS(L)1 5/0.37	1.6	0.37	71	105	139	124	141	119	313	529	515	11.1	19,6	17,6	338	554	540	11.8	20,3	18,3	313	529	515	11.1	19,6	17,6
EVMS(L)1 6/0.37	1.6	0.37	71	105	139	124	141	119	334	550	536	11.5	20,0	18,0	359	575	561	12.2	20,7	18,7	334	550	536	11.5	20,0	18,0
EVMS(L)1 7/0.37	1.6	0.37	71	105	139	124	141	119	355	571	557	11.9	20,4	18,4	380	596	582	12.6	21,1	19,1	355	571	557	11.9	20,4	18,4
EVMS(L)1 8/0.37	1.6	0.37	71	105	139	124	141	119	376	592	578	12.4	20,9	18,9	401	617	603	13.1	21,6	19,6	376	592	578	12.4	20,9	18,9
EVMS(L)1 9/0.55	1.6	0.55	71	105	139	124	141	119	397	613	599	12.8	21,4	19,8	422	638	624	13.5	22,1	20,5	397	613	599	12.8	21,4	19,8
EVMS(L)1 10/0.55	1.6	0.55	71	105	139	124	141	119	418	634	620	13.2	21,8	20,2	443	659	645	13.9	22,5	20,9	418	634	620	13.2	21,8	20,2
EVMS(L)1 11/0.55	1.6	0.55	71	105	139	124	141	119	439	655	641	13.7	22,3	20,7	464	680	666	14.4	23,0	21,4	439	655	641	13.7	22,3	20,7
EVMS(L)1 12/0.55	1.6	0.55	71	105	139	124	141	119	460	676	662	14.4	23,0	21,4	485	701	687	15.1	23,7	22,1	460	676	662	14.4	23,0	21,4
EVMS(L)1 13/0.55	1.6	0.55	71	105	139	124	141	119	481	697	683	15	23,6	22,0	506	722	708	15.7	24,3	22,7	481	697	683	15	23,6	22,0
EVMS(L)1 14/0.75	1.6	0.75	80	120	157	150	141	102	512	744	745	15.7	27,5	24,2	537	769	770	16.4	28,2	24,9	512	744	745	15.7	27,5	24,2
EVMS(L)1 16/0.75	1.6	0.75	80	120	157	150	141	102	554	786	787	16.7	28,5	25,2	579	811	812	17.4	29,2	25,9	554	786	787	16.7	28,5	25,2
EVMS(L)1 18/1.1	1.6	1.1	80	120	157	149	141	102	596	828	840	17.8	29,8	27,8	621	853	865	18.5	30,5	28,5	596	828	840	17.8	29,8	27,8
EVMS(L)1 20/1.1	1.6	1.1	80	120	157	149	141	102	638	870	882	18.8	30,8	28,8	663	895	907	19.5	31,5	29,5	638	870	882	18.8	30,8	28,8
EVMS(L)1 22/1.1	1.6	1.1	80	120	157	149	141	102	680	912	924	20	32,0	30,0	705	937	949	20.7	32,7	30,7	680	912	924	20	32,0	30,0
EVMS(L)1 24/1.1	1.6	1.1	80	120	157	149	141	102	722	954	966	21	33,0	31,0	747	979	991	21.7	33,7	31,7	722	954	966	21	33,0	31,0
EVMS(L)1 26/1.1	1.6	1.1	80	120	157	149	141	102	764	996	1008	22	34,0	32,0	789	1021	1033	22.7	34,7	32,7	764	996	1008	22	34,0	32,0
EVMS(L)1 27/1.5	2.5	1.5	90	140	172	140	160	119	-	-	-	-	-	-	820	1098	1111	23.1	41,0	36,6	795	1073	1086	22.4	40,0	35,9
EVMS(L)1 29/1.5	2.5	1.5	90	140	172	140	160	119	-	-	-	-	-	-	862	1140	1153	24.1	42,0	37,6	837	1115	1128	23.4	41,0	36,9
EVMS(L)1 32/1.5	2.5	1.5	90	140	172	140	160	119	-	-	-	-	-	-	925	1203	1216	25.4	43,0	38,9	900	1178	1191	24.7	42,0	38,2
EVMS(L)1 34/1.5	2.5	1.5	90	140	172	140	160	119	-	-	-	-	-	-	967	1245	1258	26.3	44,0	39,8	942	1220	1233	25.6	43,0	39,1
EVMS(L)1 37/2.2	2.5	2.2	90	140	172	140	160	119	-	-	-	-	-	-	1030	1346	1321	27.7	51,0	42,7	1005	1321	1296	27	50,0	42,0
EVMS(L)1 39/2.2	2.5	2.2	90	140	172	140	160	119	-	-	-	-	-	-	1072	1388	1363	28.7	52,0	43,7	1047	1363	1338	28	51,0	43,0

1.6 MPa=16 bar;
- not available model

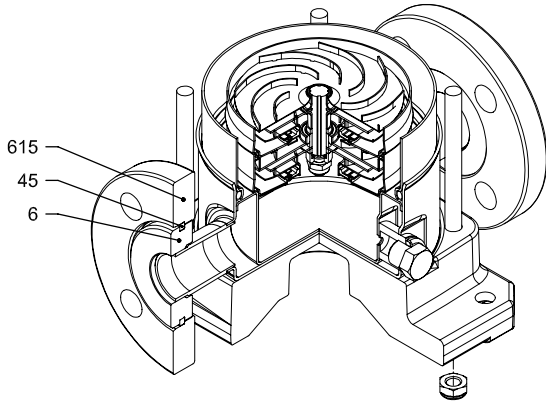
2.5 MPa=25 bar

SECTIONAL VIEW
EVMS(L)1

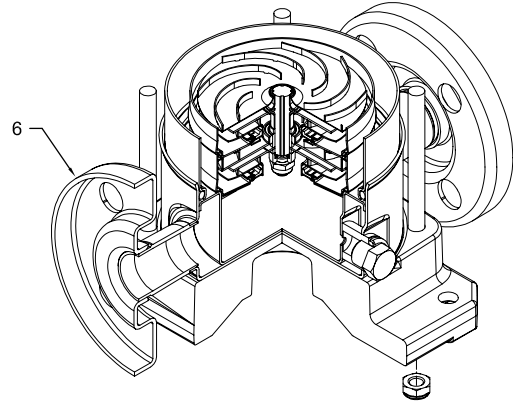


with Oval flange (N)

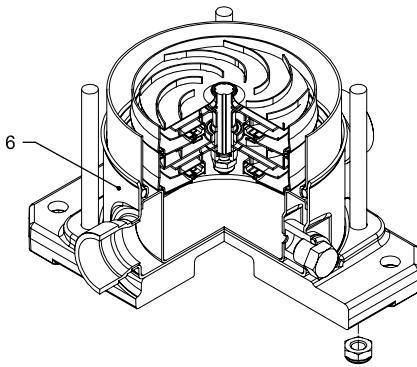
PIPE CONNECTION EVMS(L)1



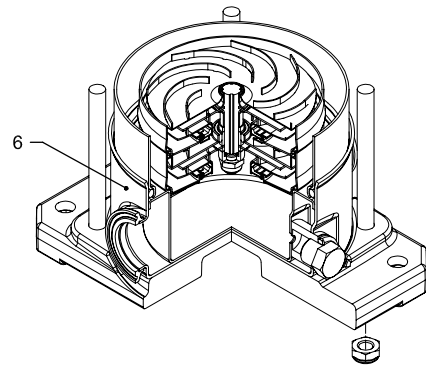
with Loose round flange (LF)



with Round flange (F)



with Victaulic® connection (V)



with Clamp connection (C)

SECTIONAL TABLE
EVMS(L)1

N°	PART NAME	MATERIAL		DIMENSIONS	STANDARD
		EVMS	EVMSL		
4	Casing cover	EN 1.4301 (AISI 304)	EN 1.4404 (AISI 316L)		
5-1	Suction casing	EN 1.4301 (AISI 304)	EN 1.4404 (AISI 316L)		
5-2	Intermediate casing	EN 1.4301 (AISI 304)	EN 1.4404 (AISI 316L)		
5-3	Intermediate casing with bearing	EN 1.4301 (AISI 304)	EN 1.4404 (AISI 316L)		
5-4	Discharge casing	EN 1.4301 (AISI 304)	EN 1.4404 (AISI 316L)		
6	Bottom casing	EN 1.4301 (AISI 304)	EN 1.4404 (AISI 316L)		
7	Outer casing	EN 1.4301 (AISI 304)	EN 1.4404 (AISI 316L)		
21	Impeller	EN 1.4301 (AISI 304)	EN 1.4404 (AISI 316L)		
31	Shaft	EN 1.4301 (AISI 304)	EN 1.4404 (AISI 316L)		
32-1	Adjuster key	EN 1.4301 (AISI 304)			
43-2	Shaft sleeve (intermediate)	EN 1.4301 (AISI 304)	EN 1.4404 (AISI 316L)		
43-3	Shaft sleeve (bearing)	EN 1.4301 (AISI 304)	EN 1.4404 (AISI 316L)		
43-5	Shaft sleeve (last stage)	EN 1.4301 (AISI 304)	EN 1.4404 (AISI 316L)		
43-7	Spacer	EN 1.4301 (AISI 304)	EN 1.4404 (AISI 316L)		
44-1	Shaft sleeve bearing	Tungsten carbide			
45	Flange holder	EN 1.4301 (AISI 304)			
46	Ring (mechanical seal)	EN 1.4404 (AISI 316L)			
47	Ring holder	EN 1.4301 (AISI 304)	EN 1.4404 (AISI 316L)		
48	Impeller nut	EN 1.4301 (AISI 304) with inox insert	EN 1.4401 (AISI 316) with inox insert	M8	
52-1	Sleeve bearing	Tungsten carbide			
75	O-Ring (priming plug)	EPDM / FPM		Ø12.37x2.62	OR 3050
75-1	O-Ring (drainage plug)	EPDM / FPM			
107	Liner ring	EN 1.4301 (AISI 304) + PPS	EN 1.4404 (AISI 316L) + PPS		
111	Mechanical seal	see pages 6-7			
111-3	Mechanical seal seat	EN 1.4308 (ASTM CF8)	EN 1.4408 (ASTM CF8M)		
111-4	Seal holder	EN 1.4301 (AISI 304)			
111-5	Mechanical seal cartridge sleeve	EN 1.4301 (AISI 304)	EN 1.4404 (AISI 316L)		
115-1	O-Ring (outer casing)	EPDM / FPM		Ø129.54x5.34	OR 6510
115-3	O-Ring	EPDM / FPM			
115-4	O-Ring (cartridge sleeve)	EPDM / FPM		Ø11.91x2.62	OR 115
115-5	O-Ring (seal flange)	EPDM / FPM		Ø32.99x2.62	OR 3131
120-1	Tie-rod	EN 1.4057 (AISI 431)		M10	
120-3	Screw (seal flange)	A2-70		M4x10	ISO 4762
120-6	Screw (pump coupling)	Galvanized steel		M6x25	ISO 4762
120-11	Screw (counterflange)	A2-70			
120-13	Screw for motor	MEC 71-80 MEC 90	Galvanized steel 8.8 strength class ISO 898/1	M6x20 M8x20	ISO 4017 ISO 4017
128-1	Nut (tie rod)	A2-70		M10	ISO 4032
128-5	Nut (tie rod)	A2-70		M10	UNI 7474
128-6	Nut (aluminium coupling)	MEC 71-80-90-100-112	Galvanized steel	M6	ISO 4032
130-1	Set screw	EN 1.4301 (AISI 304)		M5x8	ISO 4026
130-2	Screw for coupling guard	A2-70		M5x6	UNI 7687
131-1	Pin for shaft	Carbon Steel		Ø4x32	ISO 2338
135-1	Washer (tie rod)	EN 1.4301 (AISI 304)		Ø10.5x21x2	ISO 7089
135-6	Washer (aluminium coupling)	up to 4.0 kW	Carbon Steel	Ø6	
137-1	Impeller spacer	EN 1.4301 (AISI 304)	EN 1.4404 (AISI 316L)		
140	Coupling	up to 4.0 kW	Die cast Aluminium EN AB-AISI11Cu2 (Fe)		
160	Base		Die cast Aluminium EN AB-AISI11Cu2 (Fe)		
162	Motor bracket		Cast iron EN-GJL-250		
212	Priming plug	EN 1.4301 (AISI 304)	EN 1.4404 (AISI 316L)	G 3/8	
212-1	Drainage plug	EN 1.4301 (AISI 304)	EN 1.4404 (AISI 316L)	G 3/8	
212-2	Venting plug	EN 1.4404 (AISI 316L)			
219	Counter flange	flange type: N flange type: LF-F-V-C	EN 1.4308 (ASTM CF8) EN 1.4301 (AISI 304)	EN 1.4408 (ASTM CF8M) EN 1.4404 (AISI 316L)	
245	Coupling guard	EN 1.4301 (AISI 304)			
273-1	Washer (drainage plug)	EN 1.4301 (AISI 304)	EN 1.4404 (AISI 316L)		
615	Flange	Nodular Cast Iron			

QUANTITY FOR MODEL EVMS(L)1

Pump Type	N°																														
	4	5-1	5-2	5-3	5-4	6	7	21	31	32-1	43-2	43-3	43-5	43-7	44-1	45*	46	47	48	52-1	75	75-1	107	111	111-3	111-4	111-5	115-1	115-3*	115-4	115-5
EVMS(L)1 2/0.37	1	1	/	1	1	1	1	2	1	1	1	1	/	/	1	4	2	1	1	1	1	2	2	1	1	1	1	2	2	1	1
EVMS(L)1 3/0.37	1	1	1	1	1	1	1	3	1	1	3	1	/	/	1	4	2	1	1	1	1	2	3	1	1	1	1	2	2	1	1
EVMS(L)1 4/0.37	1	1	2	1	1	1	1	4	1	1	5	1	/	/	1	4	2	1	1	1	1	2	4	1	1	1	1	2	2	1	1
EVMS(L)1 5/0.37	1	1	3	1	1	1	1	5	1	1	7	1	1	/	1	4	2	1	1	1	1	2	5	1	1	1	1	2	2	1	1
EVMS(L)1 6/0.37	1	1	4	1	1	1	1	6	1	1	9	1	/	/	1	4	2	1	1	1	1	2	6	1	1	1	1	2	2	1	1
EVMS(L)1 7/0.37	1	1	5	1	1	1	1	7	1	1	11	1	/	/	1	4	2	1	1	1	1	2	7	1	1	1	1	2	2	1	1
EVMS(L)1 8/0.37	1	1	6	1	1	1	1	8	1	1	13	1	/	/	1	4	2	1	1	1	1	2	8	1	1	1	1	2	2	1	1
EVMS(L)1 9/0.55	1	1	7	1	1	1	1	9	1	1	15	1	/	/	1	4	2	1	1	1	1	2	9	1	1	1	1	2	2	1	1
EVMS(L)1 10/0.55	1	1	8	1	1	1	1	10	1	1	17	1	/	/	1	4	2	1	1	1	1	2	10	1	1	1	1	2	2	1	1
EVMS(L)1 11/0.55	1	1	9	1	1	1	1	11	1	1	19	1	/	/	1	4	2	1	1	1	1	2	11	1	1	1	1	2	2	1	1
EVMS(L)1 12/0.55	1	1	10	1	1	1	1	12	1	1	21	1	/	/	1	4	2	1	1	1	1	2	12	1	1	1	1	2	2	1	1
EVMS(L)1 13/0.55	1	1	10	2	1	1	1	13	1	1	20	2	/	1	2	4	2	1	1	2	1	2	13	1	1	1	1	2	2	1	1
EVMS(L)1 14/0.75	1	1	11	2	1	1	1	14	1	1	22	2	/	1	2	4	2	1	1	2	1	2	14	1	1	1	1	2	2	1	1
EVMS(L)1 16/0.75	1	1	13	2	1	1	1	16	1	1	26	2	/	1	2	4	2	1	1	2	1	2	16	1	1	1	1	2	2	1	1
EVMS(L)1 18/1.1	1	1	15	2	1	1	1	18	1	1	30	2	/	1	2	4	2	1	1	2	1	2	18	1	1	1	1	2	2	1	1
EVMS(L)1 20/1.1	1	1	17	2	1	1	1	20	1	1	34	2	/	1	2	4	2	1	1	2	1	2	20	1	1	1	1	2	2	1	1
EVMS(L)1 22/1.1	1	1	19	2	1	1	1	22	1	1	38	2	/	1	2	4	2	1	1	2	1	2	22	1	1	1	1	2	2	1	1
EVMS(L)1 24/1.1	1	1	21	2	1	1	1	24	1	1	42	2	/	1	2	4	2	1	1	2	1	2	24	1	1	1	1	2	2	1	1
EVMS(L)1 26/1.1	1	1	23	2	1	1	1	26	1	1	46	2	/	1	2	4	2	1	1	2	1	2	26	1	1	1	1	2	2	1	1
EVMS(L)1 27/1.5	1	1	24	2	1	1	1	27	1	1	48	2	/	1	2	4	2	1	1	2	1	2	27	1	1	1	1	2	/	1	1
EVMS(L)1 29/1.5	1	1	26	2	1	1	1	29	1	1	52	2	/	1	2	4	2	1	1	2	1	2	29	1	1	1	1	2	/	1	1
EVMS(L)1 32/1.5	1	1	29	2	1	1	1	32	1	1	58	2	/	1	2	4	2	1	1	2	1	2	32	1	1	1	1	2	/	1	1
EVMS(L)1 34/1.5	1	1	31	2	1	1	1	34	1	1	62	2	/	1	2	4	2	1	1	2	1	2	34	1	1	1	1	2	/	1	1
EVMS(L)1 37/2.2	1	1	34	2	1	1	1	37	1	1	68	2	/	1	2	4	2	1	1	2	1	2	37	1	1	1	1	2	/	1	1
EVMS(L)1 39/2.2	1	1	36	2	1	1	1	39	1	1	72	2	/	1	2	4	2	1	1	2	1	2	39	1	1	1	1	2	/	1	1

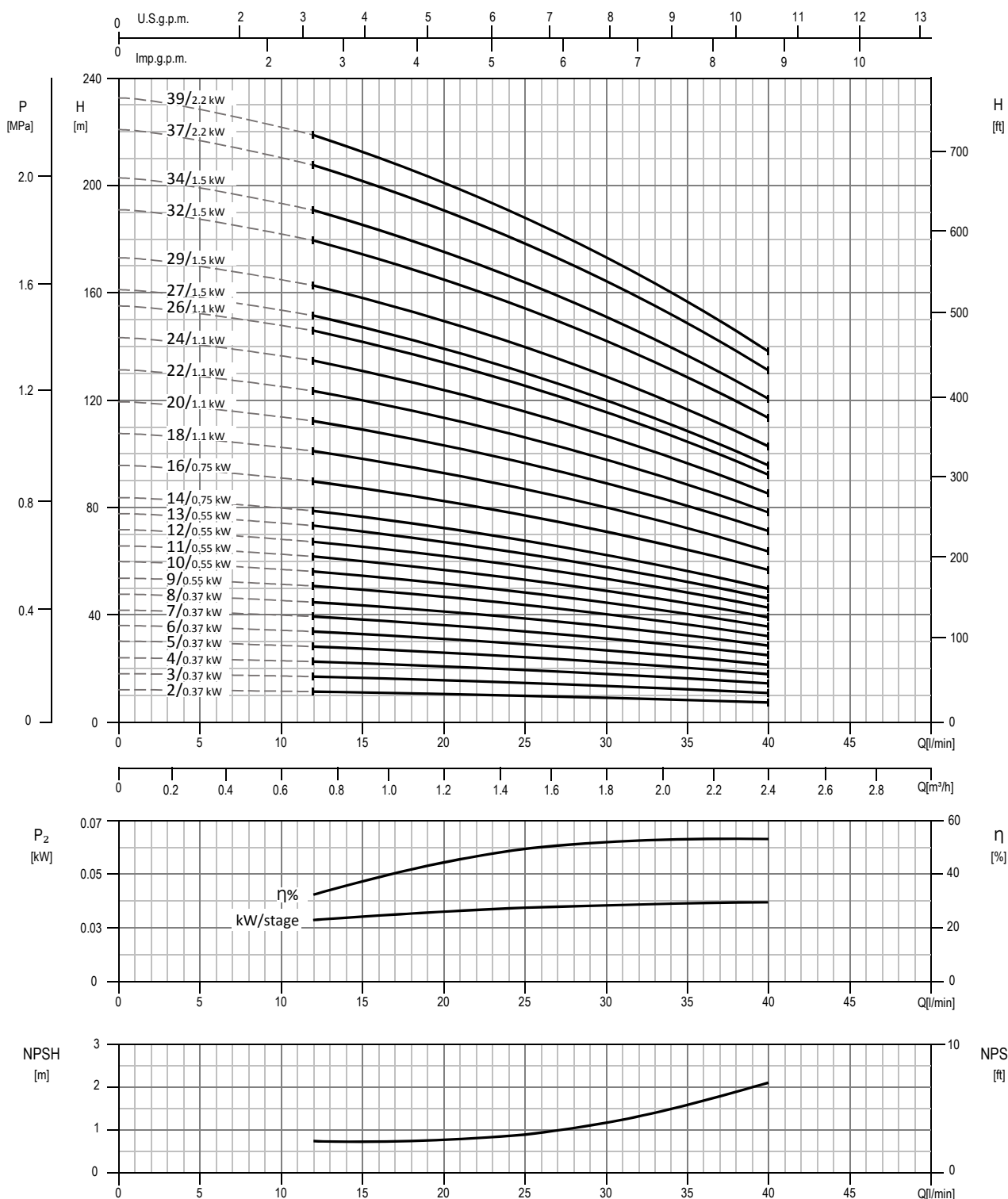
Pump Type	N°																							
	120-1	120-3	120-6	120-11*	120-13	128-1	128-5	128-6	130-1	130-2	131-1	135-1	135-6	137-1	140	160	162	212	212-1	212-2	219*	245	273-1	615**
EVMS(L)1 2/0.37	4	4	4	4	4	4	4	4	3	4	1	4	4	1	2	1	1	1	2	1	2	2	2	2
EVMS(L)1 3/0.37	4	4	4	4	4	4	4	4	3	4	1	4	4	1	2	1	1	1	2	1	2	2	2	2
EVMS(L)1 4/0.37	4	4	4	4	4	4	4	4	3	4	1	4	4	1	2	1	1	1	2	1	2	2	2	2
EVMS(L)1 5/0.37	4	4	4	4	4	4	4	4	3	4	1	4	4	1	2	1	1	1	2	1	2	2	2	2
EVMS(L)1 6/0.37	4	4	4	4	4	4	4	4	3	4	1	4	4	1	2	1	1	1	2	1	2	2	2	2
EVMS(L)1 7/0.37	4	4	4	4	4	4	4	4	3	4	1	4	4	1	2	1	1	1	2	1	2	2	2	2
EVMS(L)1 8/0.37	4	4	4	4	4	4	4	4	3	4	1	4	4	1	2	1	1	1	2	1	2	2	2	2
EVMS(L)1 9/0.55	4	4	4	4	4	4	4	4	3	4	1	4	4	1	2	1	1	1	2	1	2	2	2	2
EVMS(L)1 10/0.55	4	4	4	4	4	4	4	4	3	4	1	4	4	1	2	1	1	1	2	1	2	2	2	2
EVMS(L)1 11/0.55	4	4	4	4	4	4	4	4	3	4	1	4	4	1	2	1	1	1	2	1	2	2	2	2
EVMS(L)1 12/0.55	4	4	4	4	4	4	4	4	3	4	1	4	4	1	2	1	1	1	2	1	2	2	2	2
EVMS(L)1 13/0.55	4	4	4	4	4	4	4	4	3	4	1	4	4	1	2	1	1	1	2	1	2	2	2	2
EVMS(L)1 14/0.75	4	4	4	4	4	4	4	4	3	4	1	4	4	1	2	1	1	1	2	1	2	2	2	2
EVMS(L)1 16/0.75	4	4	4	4	4	4	4	4	3	4	1	4	4	1	2	1	1	1	2	1	2	2	2	2
EVMS(L)1 18/1.1	4	4	4	4	4	4	4	4	3	4	1	4	4	1	2	1	1	1	2	1	2	2	2	2
EVMS(L)1 20/1.1	4	4	4	4	4	4	4	4	3	4	1	4	4	1	2	1	1	1	2	1	2	2	2	2
EVMS(L)1 22/1.1	4	4	4	4	4	4	4	4	3	4	1	4	4	1	2	1	1	1	2	1	2	2	2	2
EVMS(L)1 24/1.1	4	4	4	4	4	4	4	4	3	4	1	4	4	1	2	1	1	1	2	1	2	2	2	2
EVMS(L)1 26/1.1	4	4	4	4	4	4	4	4	3	4	1	4	4	1	2	1	1	1	2	1	2	2	2	2
EVMS(L)1 27/1.5	4	4	4	/	4	4	4	4	3	4	1	4	4	1	2	1	1	1	2	1	/	2	2	2
EVMS(L)1 29/1.5	4	4	4	/	4	4	4	4	3	4	1	4	4	1	2	1	1	1	2	1	/	2	2	2
EVMS(L)1 32/1.5	4	4	4	/	4	4	4	4	3	4	1	4	4	1	2	1	1	1	2	1	/	2	2	2
EVMS(L)1 34/1.5	4	4	4	/	4	4	4	4	3	4	1	4	4	1	2	1	1	1	2	1	/	2	2	2
EVMS(L)1 37/2.2	4	4	4	/	4	4	4	4	3	4	1	4	4	1	2	1	1	1	2	1	/	2	2	2
EVMS(L)1 39/2.2	4	4	4	/	4	4	4	4	3	4	1	4	4	1	2	1	1	1	2	1	/	2	2	2

* only for Oval flange (N)

** only for Loose round flange (LF)

PERFORMANCE CURVE
EVMSG1

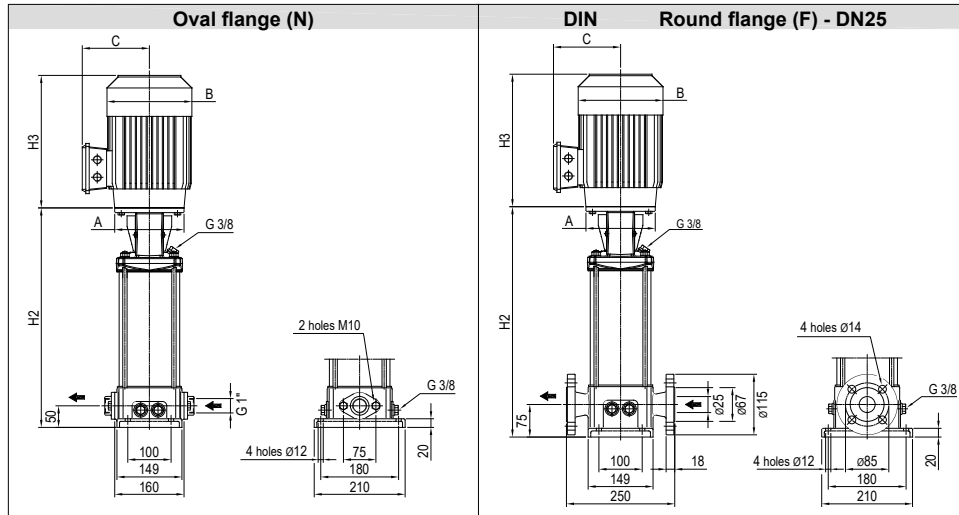
EVMSG1



Test standard: ISO 9906:2012 - Grade 3B

TECHNICAL DATA EVMSG1

Dimensional sketch



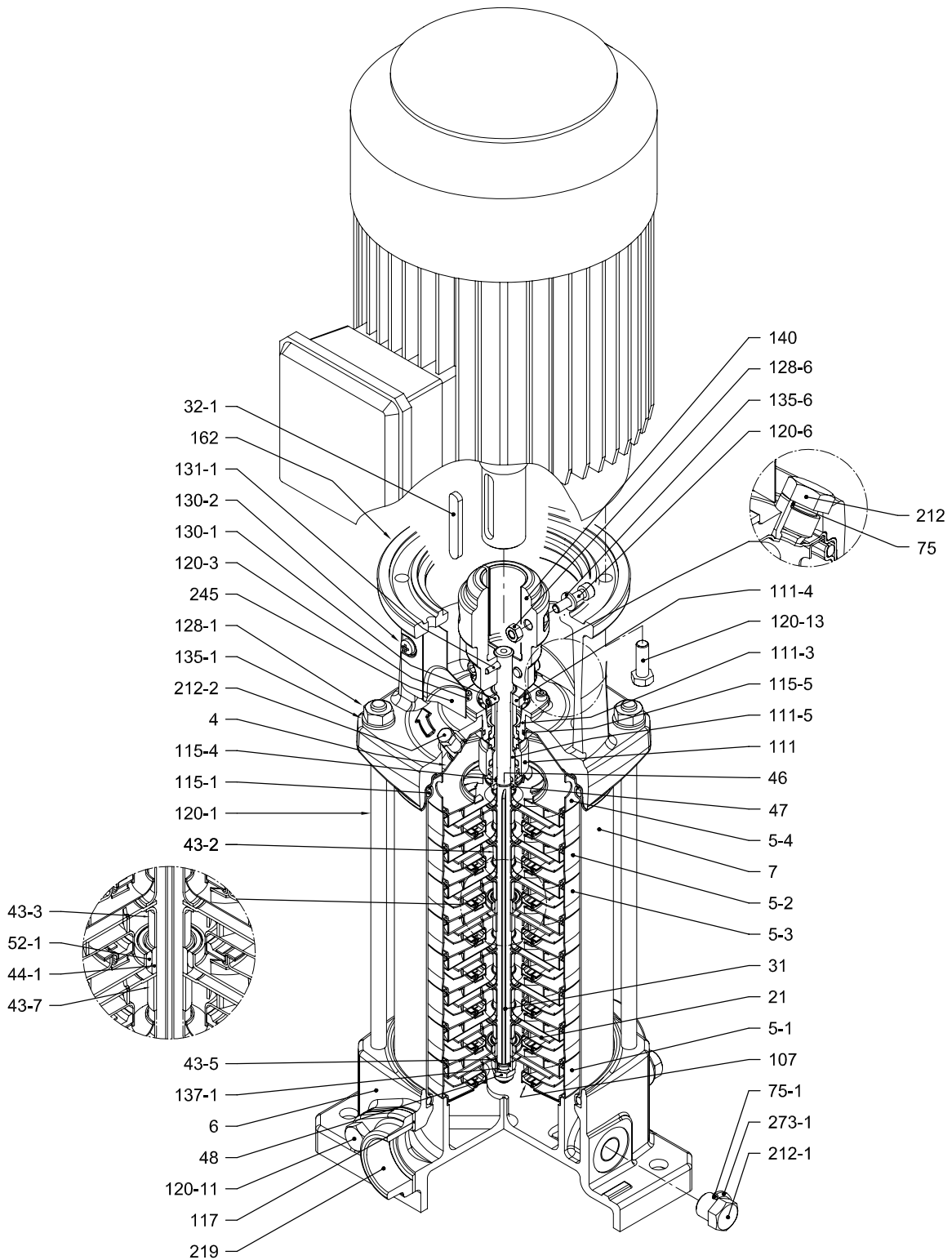
Dimensions [mm] and Weights [Kg]

Pump Type	P _{max} [MPa]	Motor				Oval flange (N)				Round flange (F)										
		kW	Size	1~		3~		H2	H2+H3		Weight Pump	Weight Pump + Motor		H2	H2+H3		Weight Pump	Weight Pump + Motor		
				A	B	C	B		C	1~		3~	1~		3~	1~		3~	1~	3~
EVMSG1 2/0.37	1.6	0.37	71	105	391	124	141	119	250	466	452	14	22.5	20.5	275	491	477	17.4	25.9	23.9
EVMSG1 3/0.37	1.6	0.37	71	105	139	124	141	119	271	487	473	14.5	23.0	21.0	296	512	498	17.9	26.4	24.4
EVMSG1 4/0.37	1.6	0.37	71	105	139	124	141	119	292	508	494	14.9	23.4	21.4	317	533	519	18.3	26.8	24.8
EVMSG1 5/0.37	1.6	0.37	71	105	139	124	141	119	313	529	515	15.4	23.9	21.9	338	554	540	18.8	27.3	25.3
EVMSG1 6/0.37	1.6	0.37	71	105	139	124	141	119	334	550	536	15.8	24.3	22.3	359	575	561	19.2	27.7	25.7
EVMSG1 7/0.37	1.6	0.37	71	105	139	124	141	119	355	571	557	16.2	24.7	22.7	380	596	582	19.6	28.1	26.1
EVMSG1 8/0.37	1.6	0.37	71	105	139	124	141	119	376	592	578	16.7	25.2	23.2	401	617	603	20.1	28.6	26.6
EVMSG1 9/0.55	1.6	0.55	71	105	139	124	141	119	397	613	599	17.1	25.7	24.1	422	638	624	20.5	29.1	27.5
EVMSG1 10/0.55	1.6	0.55	71	105	139	124	141	119	418	634	620	17.5	26.1	24.5	443	659	645	20.9	29.5	27.9
EVMSG1 11/0.55	1.6	0.55	71	105	139	124	141	119	439	655	641	18	26.6	25.0	464	680	666	21.4	30.0	28.4
EVMSG1 12/0.55	1.6	0.55	71	105	139	124	141	119	460	676	662	18.7	27.3	25.7	485	701	687	22.1	30.7	29.1
EVMSG1 13/0.55	1.6	0.55	71	105	139	124	141	119	481	697	683	19.3	27.9	26.3	506	722	708	22.7	31.3	29.7
EVMSG1 14/0.75	1.6	0.75	80	120	157	150	141	102	512	744	745	20	31.8	28.5	537	769	770	23.4	35.2	31.9
EVMSG1 16/0.75	1.6	0.75	80	120	157	150	141	102	554	786	787	21	32.8	29.5	579	811	812	24.4	36.2	32.9
EVMSG1 18/1.1	1.6	1.1	80	120	157	149	141	102	596	828	840	22.1	34.1	32.1	621	853	865	25.5	37.5	35.5
EVMSG1 20/1.1	1.6	1.1	80	120	157	149	141	102	638	870	882	23.1	35.1	33.1	663	895	907	26.5	38.5	36.5
EVMSG1 22/1.1	1.6	1.1	80	120	157	149	141	102	680	912	924	24.3	36.3	34.3	705	937	949	27.7	39.7	37.7
EVMSG1 24/1.1	1.6	1.1	80	120	157	149	141	102	722	954	966	25.3	37.3	35.3	747	979	991	28.7	40.7	38.7
EVMSG1 26/1.1	1.6	1.1	80	120	157	149	141	102	764	996	1008	26.3	38.3	36.3	789	1021	1033	29.7	41.7	39.7
EVMSG1 27/1.5	2.5	1.5	90	140	172	140	160	119	-	-	-	-	-	-	820	1098	1111	30.1	48.0	43.6
EVMSG1 29/1.5	2.5	1.5	90	140	172	140	160	119	-	-	-	-	-	-	862	1140	1153	31.1	50.0	44.6
EVMSG1 32/1.5	2.5	1.5	90	140	172	140	160	119	-	-	-	-	-	-	925	1203	1216	32.4	50.0	45.9
EVMSG1 34/1.5	2.5	1.5	90	140	172	140	160	119	-	-	-	-	-	-	967	1245	1258	33.3	51.0	46.8
EVMSG1 37/2.2	2.5	2.2	90	140	172	140	160	119	-	-	-	-	-	-	1030	1346	1321	34.7	58.0	49.7
EVMSG1 39/2.2	2.5	2.2	90	140	172	140	160	119	-	-	-	-	-	-	1072	1388	1363	35.7	59.0	50.7

1.6 MPa=16 bar; 2.5 MPa=25 bar
- not available model

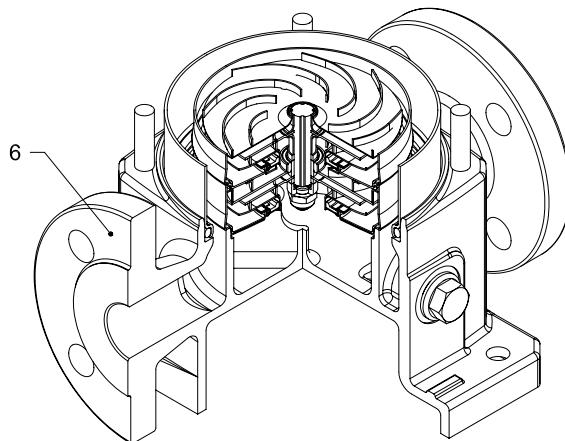
SECTIONAL VIEW
EVMSG1

EVMSG1



with Oval flange (N)

PIPE CONNECTION EVMSG1



with Round flange (F)

EVMSG1

SECTIONAL TABLE
EVMSG1

N°	PART NAME	MATERIAL EVMSG	DIMENSIONS	STANDARD
4	Casing cover	EN 1.4301 (AISI 304)		
5-1	Suction casing	EN 1.4301 (AISI 304)		
5-2	Intermediate casing	EN 1.4301 (AISI 304)		
5-3	Intermediate casing with bearing	EN 1.4301 (AISI 304)		
5-4	Discharge casing	EN 1.4301 (AISI 304)		
6	Bottom casing	Cast Iron EN-GJL-250		
7	Outer casing	EN 1.4301 (AISI 304)		
21	Impeller	EN 1.4301 (AISI 304)		
31	Shaft	EN 1.4301 (AISI 304)		
32-1	Adjuster key	EN 1.4301 (AISI 304)		
43-2	Shaft sleeve (intermediate)	EN 1.4301 (AISI 304)		
43-3	Shaft sleeve (bearing)	EN 1.4301 (AISI 304)		
43-5	Shaft sleeve (last stage)	EN 1.4301 (AISI 304)		
43-7	Spacer	EN 1.4301 (AISI 304)		
44-1	Shaft sleeve bearing	Tungsten carbide		
46	Ring (mechanical seal)	EN 1.4404 (AISI 316L)		
47	Ring holder	EN 1.4404 (AISI 316L)		
48	Impeller nut	EN 1.4301 (AISI 304) with inox insert	M8	
52-1	Sleeve bearing	Tungsten carbide		
75	O-Ring (priming plug)	EPDM / FPM	Ø12.37x2.62	OR 3050
75-1	O-Ring (drainage plug)	EPDM / FPM		
107	Liner ring	EN 1.4301 (AISI 304) + PPS		
111	Mechanical seal	see pages 6-7		
111-3	Mechanical seal seat	EN 1.4308 (ASTM CF8)		
111-4	Seal holder	EN 1.4301 (AISI 304)		
111-5	Mechanical seal cartridge sleeve	EN 1.4301 (AISI 304)		
115-1	O-Ring (outer casing)	EPDM / FPM	Ø129.54x5.34	OR 6510
115-4	O-Ring (cartridge sleeve)	EPDM / FPM	Ø11.91x2.62	OR 115
115-5	O-Ring (seal flange)	EPDM / FPM	Ø32.99x2.62	OR 3131
117	Flange gasket	EPDM / FPM		
120-1	Tie-rod	EN 1.4057 (AISI 431)	M10	
120-3	Screw (seal flange)	A2-70	M4x10	ISO 4762
120-6	Screw (pump coupling)	Galvanized steel	M6x25	ISO 4762
120-11	Screw (counterflange)	A2-70		UNI 7323
120-13	Screw for motor	MEC 71-80 MEC 90	Galvanized steel 8.8 strength class ISO 898/1	M6x20 M8x20 ISO 4017 ISO 4017
128-1	Nut (tie rod)	A2-70	M10	ISO 4032
128-6	Nut (aluminium coupling)	MEC 71-80-90-100-112	Galvanized steel	M6 ISO 4032
130-1	Set screw	A2-70	M5x8	ISO 4026
130-2	Screw for coupling guard	A2-70	M5x6	UNI 7687
131-1	Pin for shaft	Carbon Steel	Ø4x32	ISO 2338
135-1	Washer (tie rod)	EN 1.4301 (AISI 304)	Ø10.5x21x2	ISO 7089
135-6	Washer (aluminium coupling)	up to 4.0 kW	Carbon Steel	Ø6
137-1	Impeller spacer	EN 1.4301 (AISI 304)		
140	Coupling	up to 4.0 kW	Die cast Aluminium EN AB-AISI11Cu2 (Fe)	
162	Motor bracket	Cast iron EN-GJL-250		
212	Priming plug	EN 1.4301 (AISI 304)	G 3/8	
212-1	Drainage plug	EN 1.4301 (AISI 304)	G 3/8	
212-2	Venting plug	EN 1.4404 (AISI 316L)		
219	Counter flange	flange type: N flange type: F	Galvanized steel Cast Iron EN-GJL-250	
245	Coupling guard	EN 1.4301 (AISI 304)		
273-1	Washer (drainage plug)	EN 1.4301 (AISI 304)		

QUANTITY FOR MODEL EVMSG1

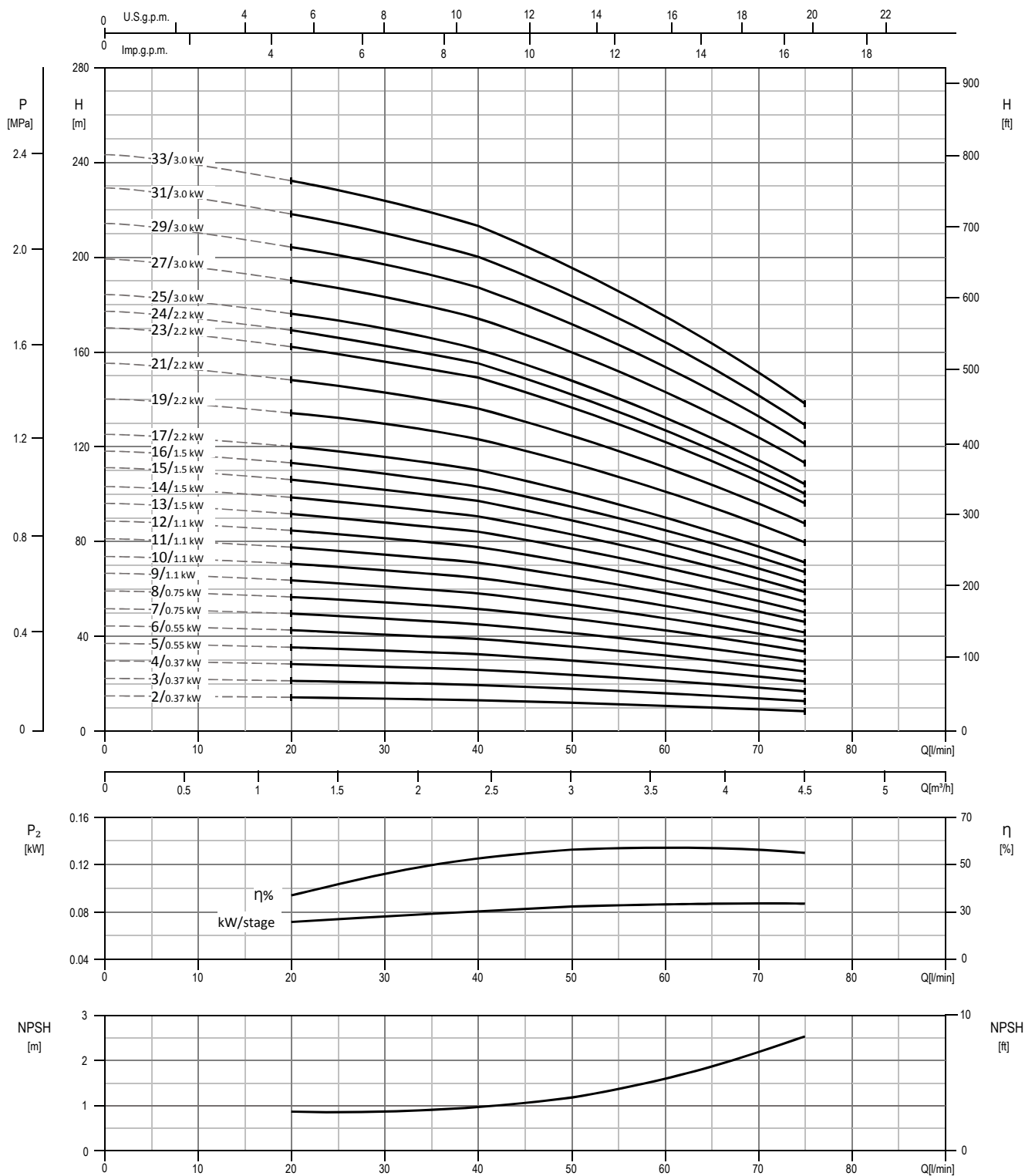
Pump Type	N°																													
	4	5-1	52	53	54	6	7	21	31	32-1	43-2	43-3	43-5	43-7	44-1	46	47	48	52-1	75	75-1	107	111	111-3	111-4	111-5	115-1	115-4	115-5	
EVMSG1 2/0.37	1	1	/	1	1	1	1	2	1	1	1	1	/	/	1	2	1	1	1	1	4	2	1	1	1	1	2	1	1	
EVMSG1 3/0.37	1	1	1	1	1	1	1	3	1	1	3	1	/	/	1	2	1	1	1	1	4	3	1	1	1	1	2	1	1	
EVMSG1 4/0.37	1	1	2	1	1	1	1	4	1	1	5	1	/	/	1	2	1	1	1	1	4	4	1	1	1	1	2	1	1	
EVMSG1 5/0.37	1	1	3	1	1	1	1	5	1	1	7	1	1	/	1	2	1	1	1	1	4	5	1	1	1	1	2	1	1	
EVMSG1 6/0.37	1	1	4	1	1	1	1	6	1	1	9	1	/	/	1	2	1	1	1	1	4	6	1	1	1	1	2	1	1	
EVMSG1 7/0.37	1	1	5	1	1	1	1	7	1	1	11	1	/	/	1	2	1	1	1	1	4	7	1	1	1	1	2	1	1	
EVMSG1 8/0.37	1	1	6	1	1	1	1	8	1	1	13	1	/	/	1	2	1	1	1	1	4	8	1	1	1	1	2	1	1	
EVMSG1 9/0.55	1	1	7	1	1	1	1	9	1	1	15	1	1	/	1	2	1	1	1	1	4	9	1	1	1	1	2	1	1	
EVMSG1 10/0.55	1	1	8	1	1	1	1	10	1	1	17	1	/	/	1	2	1	1	1	1	4	10	1	1	1	1	2	1	1	
EVMSG1 11/0.55	1	1	9	1	1	1	1	11	1	1	19	1	/	/	1	2	1	1	1	1	4	11	1	1	1	1	2	1	1	
EVMSG1 12/0.55	1	1	10	1	1	1	1	12	1	1	21	1	/	/	1	2	1	1	1	1	4	12	1	1	1	1	2	1	1	
EVMSG1 13/0.55	1	1	10	2	1	1	1	13	1	1	20	2	1	1	2	2	1	1	1	2	1	4	13	1	1	1	1	2	1	1
EVMSG1 14/0.75	1	1	11	2	1	1	1	14	1	1	22	2	/	1	2	2	1	1	2	1	4	14	1	1	1	1	2	1	1	
EVMSG1 16/0.75	1	1	13	2	1	1	1	16	1	1	26	2	/	1	2	2	1	1	2	1	4	16	1	1	1	1	2	1	1	
EVMSG1 18/1.1	1	1	15	2	1	1	1	18	1	1	30	2	/	1	2	2	1	1	2	1	4	18	1	1	1	1	2	1	1	
EVMSG1 20/1.1	1	1	17	2	1	1	1	20	1	1	34	2	/	1	2	2	1	1	2	1	4	20	1	1	1	1	2	1	1	
EVMSG1 22/1.1	1	1	19	2	1	1	1	22	1	1	38	2	/	1	2	2	1	1	2	1	4	22	1	1	1	1	2	1	1	
EVMSG1 24/1.1	1	1	21	2	1	1	1	24	1	1	42	2	/	1	2	2	1	1	2	1	4	24	1	1	1	1	2	1	1	
EVMSG1 26/1.1	1	1	23	2	1	1	1	26	1	1	46	2	/	1	2	2	1	1	2	1	4	26	1	1	1	1	2	1	1	
EVMSG1 27/1.5	1	1	24	2	1	1	1	27	1	1	48	2	/	1	2	2	1	1	2	1	4	27	1	1	1	1	2	1	1	
EVMSG1 29/1.5	1	1	26	2	1	1	1	29	1	1	52	2	/	1	2	2	1	1	2	1	4	29	1	1	1	1	2	1	1	
EVMSG1 32/1.5	1	1	29	2	1	1	1	32	1	1	58	2	/	1	2	2	1	1	2	1	4	32	1	1	1	1	2	1	1	
EVMSG1 34/1.5	1	1	31	2	1	1	1	34	1	1	62	2	/	1	2	2	1	1	2	1	4	34	1	1	1	1	2	1	1	
EVMSG1 37/2.2	1	1	34	2	1	1	1	37	1	1	68	2	/	1	2	2	1	1	2	1	4	37	1	1	1	1	2	1	1	
EVMSG1 39/2.2	1	1	36	2	1	1	1	39	1	1	72	2	/	1	2	2	1	1	2	1	4	39	1	1	1	1	2	1	1	

Pump Type	N°																					
	117*	120-1	120-3	120-6	120-11*	120-13	128-1	128-6	130-1	130-2	131-1	135-1	135-6	137-1	140	162	212	212-1	212-2	219*	245	273-1
EVMSG1 2/0.37	2	4	4	4	4	4	4	4	3	4	1	4	4	1	2	1	1	4	1	2	2	4
EVMSG1 3/0.37	2	4	4	4	4	4	4	4	3	4	1	4	4	1	2	1	1	4	1	2	2	4
EVMSG1 4/0.37	2	4	4	4	4	4	4	4	3	4	1	4	4	1	2	1	1	4	1	2	2	4
EVMSG1 5/0.37	2	4	4	4	4	4	4	4	3	4	1	4	4	1	2	1	1	4	1	2	2	4
EVMSG1 6/0.37	2	4	4	4	4	4	4	4	3	4	1	4	4	1	2	1	1	4	1	2	2	4
EVMSG1 7/0.37	2	4	4	4	4	4	4	4	3	4	1	4	4	1	2	1	1	4	1	2	2	4
EVMSG1 8/0.37	2	4	4	4	4	4	4	4	3	4	1	4	4	1	2	1	1	4	1	2	2	4
EVMSG1 9/0.55	2	4	4	4	4	4	4	4	3	4	1	4	4	1	2	1	1	4	1	2	2	4
EVMSG1 10/0.55	2	4	4	4	4	4	4	4	3	4	1	4	4	1	2	1	1	4	1	2	2	4
EVMSG1 11/0.55	2	4	4	4	4	4	4	4	3	4	1	4	4	1	2	1	1	4	1	2	2	4
EVMSG1 12/0.55	2	4	4	4	4	4	4	4	3	4	1	4	4	1	2	1	1	4	1	2	2	4
EVMSG1 13/0.55	2	4	4	4	4	4	4	4	3	4	1	4	4	1	2	1	1	4	1	2	2	4
EVMSG1 14/0.75	2	4	4	4	4	4	4	4	3	4	1	4	4	1	2	1	1	4	1	2	2	4
EVMSG1 16/0.75	2	4	4	4	4	4	4	4	3	4	1	4	4	1	2	1	1	4	1	2	2	4
EVMSG1 18/1.1	2	4	4	4	4	4	4	4	3	4	1	4	4	1	2	1	1	4	1	2	2	4
EVMSG1 20/1.1	2	4	4	4	4	4	4	4	3	4	1	4	4	1	2	1	1	4	1	2	2	4
EVMSG1 22/1.1	2	4	4	4	4	4	4	4	3	4	1	4	4	1	2	1	1	4	1	2	2	4
EVMSG1 24/1.1	2	4	4	4	4	4	4	4	3	4	1	4	4	1	2	1	1	4	1	2	2	4
EVMSG1 26/1.1	2	4	4	4	4	4	4	4	3	4	1	4	4	1	2	1	1	4	1	2	2	4
EVMSG1 27/1.5	/	4	4	4	/	4	4	4	3	4	1	4	4	1	2	1	1	4	1	/	2	4
EVMSG1 29/1.5	/	4	4	4	/	4	4	4	3	4	1	4	4	1	2	1	1	4	1	/	2	4
EVMSG1 32/1.5	/	4	4	4	/	4	4	4	3	4	1	4	4	1	2	1	1	4	1	/	2	4
EVMSG1 34/1.5	/	4	4	4	/	4	4	4	3	4	1	4	4	1	2	1	1	4	1	/	2	4
EVMSG1 37/2.2	/	4	4	4	/	4	4	4	3	4	1	4	4	1	2	1	1	4	1	/	2	4
EVMSG1 39/2.2	/	4	4	4	/	4	4	4	3	4	1	4	4	1	2	1	1	4	1	/	2	4

* only for Oval flange (N)

PERFORMANCE CURVE
EVMS(L)3

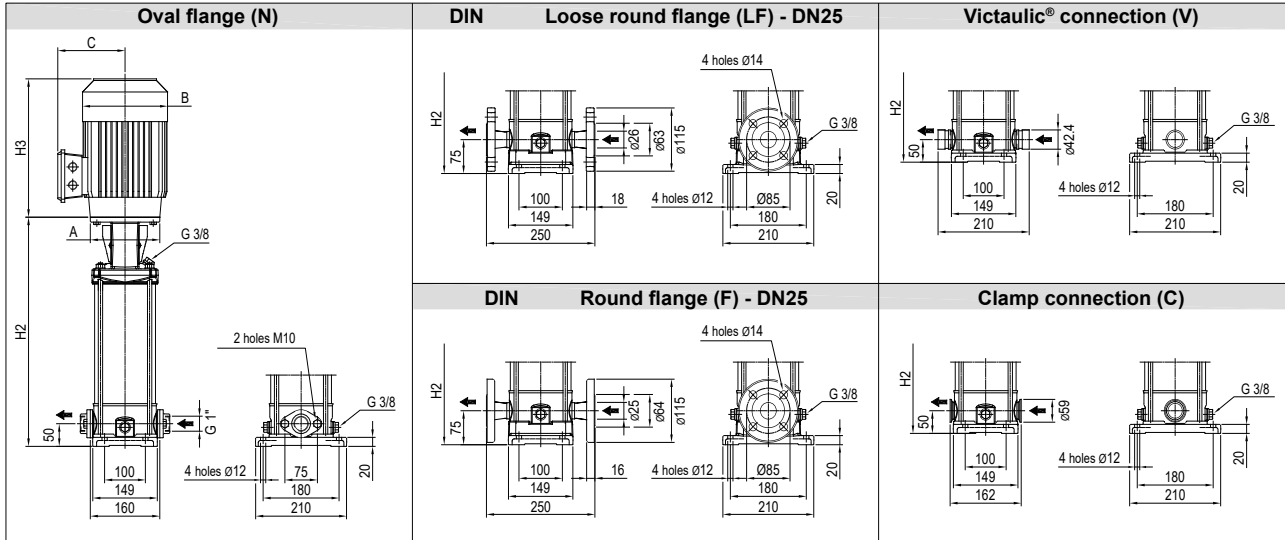
EVMS(L)3



Test standard: ISO 9906:2012 - Grade 3B

TECHNICAL DATA EVMS(L)3

Dimensional sketch



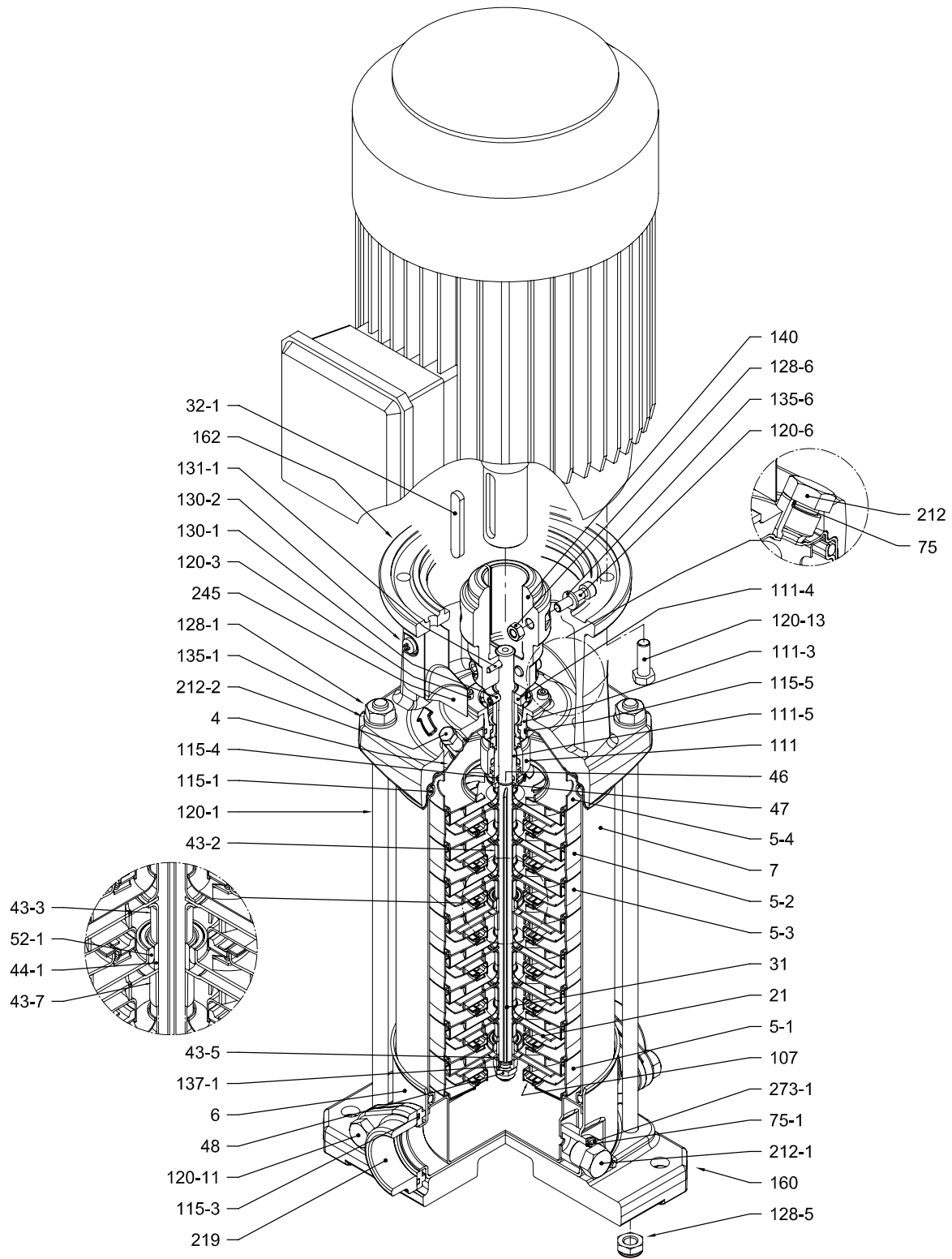
Dimensions [mm] and Weights [Kg]

Pump Type	Pmax [MPa]	Motor				Oval flange (N)				Loose round flange (LF) Round flange (F)				Victaulic® connection (V) Clamp connection (C)												
		kW	Size	1~		3~		H2	H2+H3		Weight Pump	Weight Pump + Motor		H2	H2+H3		Weight Pump	Weight Pump + Motor								
				A	B	C	B		C	1~		3~	1~		3~	1~		3~	1~	3~						
EVMS(L)3 2/0.37	1.6	0.37	71	105	139	124	141	119	250	466	452	9.7	18,2	16,2	275	491	477	10.5	19,0	17,0	250	466	452	9.7	18,2	16,2
EVMS(L)3 3/0.37	1.6	0.37	71	105	139	124	141	119	271	487	473	10.1	18,6	16,6	296	512	498	10.9	19,4	17,4	271	487	473	10.2	18,7	16,7
EVMS(L)3 4/0.37	1.6	0.37	71	105	139	124	141	119	292	508	494	10.6	19,1	17,1	317	533	519	11.3	19,8	17,8	292	508	494	10.6	19,1	17,1
EVMS(L)3 5/0.55	1.6	0.55	71	105	139	124	141	119	313	529	515	11	19,6	18,0	338	554	540	11.8	20,4	18,8	313	529	515	11.1	19,7	18,1
EVMS(L)3 6/0.55	1.6	0.55	71	105	139	124	141	119	334	550	536	11.4	20,0	18,4	359	575	561	12.2	20,8	19,2	334	550	536	11.5	20,1	18,5
EVMS(L)3 7/0.75	1.6	0.75	80	120	157	150	141	102	365	597	598	12.4	24,2	20,9	390	622	623	13.1	24,9	21,6	365	597	598	12.4	24,2	20,9
EVMS(L)3 8/0.75	1.6	0.75	80	120	157	150	141	102	386	618	619	12.8	24,6	21,3	411	643	644	13.6	25,4	22,1	386	618	619	12.9	24,7	21,4
EVMS(L)3 9/1.1	1.6	1.1	80	120	157	149	141	102	407	639	651	13.2	25,2	23,2	432	664	676	14	26,0	24,0	407	639	651	13.3	25,3	23,3
EVMS(L)3 10/1.1	1.6	1.1	80	120	157	149	141	102	428	660	672	13.7	25,7	23,7	453	685	697	14.5	26,5	24,5	428	660	672	13.7	25,7	23,7
EVMS(L)3 11/1.1	1.6	1.1	80	120	157	149	141	102	449	681	693	14.1	26,1	24,1	474	706	718	14.9	26,9	24,9	449	681	693	14.2	26,2	24,2
EVMS(L)3 12/1.1	1.6	1.1	80	120	157	149	141	102	470	702	714	14.6	26,6	24,6	495	727	739	15.4	27,4	25,4	470	702	714	14.6	26,6	24,6
EVMS(L)3 13/1.5	1.6	1.5	90	140	172	140	160	119	501	779	792	15.3	33,0	28,8	526	804	817	16.1	34,0	29,6	501	779	792	15.3	33,0	28,8
EVMS(L)3 14/1.5	1.6	1.5	90	140	172	140	160	119	522	800	813	15.7	34,0	29,2	547	825	838	16.5	34,0	30,0	522	800	813	15.8	34,0	29,3
EVMS(L)3 15/1.5	1.6	1.5	90	140	172	140	160	119	543	821	834	16.2	34,0	29,7	568	846	859	17	35,0	30,5	543	821	834	16.3	34,0	29,8
EVMS(L)3 16/1.5	1.6	1.5	90	140	172	140	160	119	564	842	855	17.3	35,0	30,8	589	867	880	18	36,0	31,5	564	842	855	17.3	35,0	30,8
EVMS(L)3 17/2.2	1.6	2.2	90	140	172	140	160	119	585	901	876	17.7	42,0	32,7	610	926	901	18.5	42,0	33,5	585	901	876	17.7	42,0	32,7
EVMS(L)3 19/2.2	1.6	2.2	90	140	172	140	160	119	627	943	918	18.7	44,0	33,7	652	968	943	19.5	44,0	34,5	627	943	918	18.7	44,0	33,7
EVMS(L)3 21/2.2	1.6	2.2	90	140	172	140	160	119	669	985	960	19.6	44,0	34,6	694	1010	985	20.4	44,0	35,4	669	985	960	19.6	44,0	34,6
EVMS(L)3 23/2.2	2.5	2.2	90	140	172	140	160	119	-	-	-	-	736	1052	1027	21.4	45,0	36,4	711	1027	1002	20.6	45,0	35,6		
EVMS(L)3 24/2.2	2.5	2.2	90	140	172	140	160	119	-	-	-	-	757	1073	1048	21.8	46,0	36,8	732	1048	1023	21.1	46,0	36,1		
EVMS(L)3 25/3.0	2.5	3.0	100	160	-	-	176	123	-	-	-	-	788	-	1130	22.4	-	44.4	763	-	1105	21.7	-	43.7		
EVMS(L)3 27/3.0	2.5	3.0	100	160	-	-	176	123	-	-	-	-	830	-	1172	23.4	-	45.4	805	-	1147	22.6	-	44.6		
EVMS(L)3 29/3.0	2.5	3.0	100	160	-	-	176	123	-	-	-	-	872	-	1214	24.3	-	46.3	847	-	1189	23.6	-	45.6		
EVMS(L)3 31/3.0	2.5	3.0	100	160	-	-	176	123	-	-	-	-	914	-	1256	25.3	-	47.3	889	-	1231	24.6	-	46.6		
EVMS(L)3 33/3.0	2.5	3.0	100	160	-	-	176	123	-	-	-	-	956	-	1298	26.1	-	48.1	931	-	1273	25.4	-	47.4		

1.6 MPa=16 bar; 2.5 MPa=25 bar
- not available model

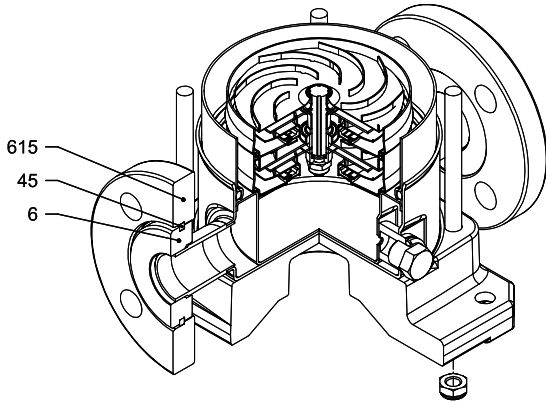
SECTIONAL VIEW
EVMS(L)3

EVMS(L)3

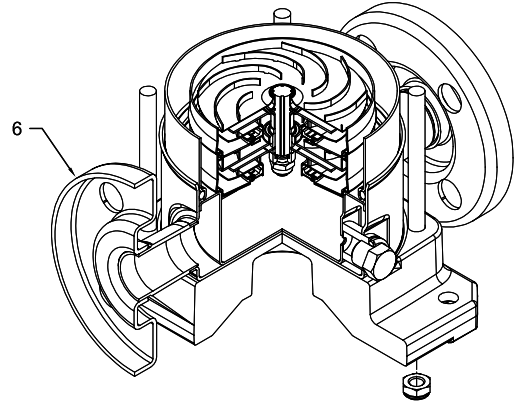


with Oval flange (N)

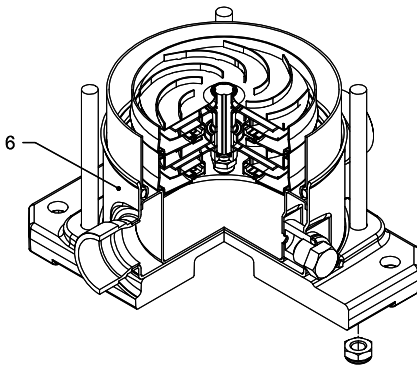
PIPE CONNECTION EVMS(L)3



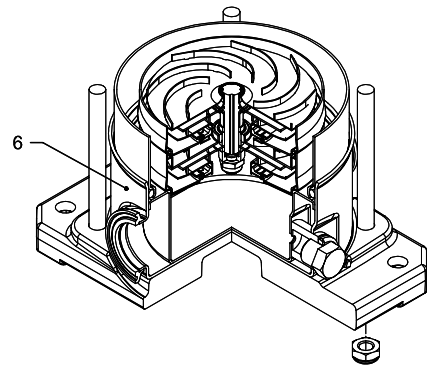
with Loose round flange (LF)



with Round flange (F)



with Victaulic® connection (V)



with Clamp connection (C)

SECTIONAL TABLE
EVMS(L)3

N°	PART NAME	MATERIAL		DIMENSIONS	STANDARD
		EVMS	EVMSL		
4	Casing cover	EN 1.4301 (AISI 304)	EN 1.4404 (AISI 316L)		
5-1	Suction casing	EN 1.4301 (AISI 304)	EN 1.4404 (AISI 316L)		
5-2	Intermediate casing	EN 1.4301 (AISI 304)	EN 1.4404 (AISI 316L)		
5-3	Intermediate casing with bearing	EN 1.4301 (AISI 304)	EN 1.4404 (AISI 316L)		
5-4	Discharge casing	EN 1.4301 (AISI 304)	EN 1.4404 (AISI 316L)		
6	Bottom casing	EN 1.4301 (AISI 304)	EN 1.4404 (AISI 316L)		
7	Outer casing	EN 1.4301 (AISI 304)	EN 1.4404 (AISI 316L)		
21	Impeller	EN 1.4301 (AISI 304)	EN 1.4404 (AISI 316L)		
31	Shaft	EN 1.4301 (AISI 304)	EN 1.4404 (AISI 316L)		
32-1	Adjuster key	EN 1.4301 (AISI 304)			
43-2	Shaft sleeve (intermediate)	EN 1.4301 (AISI 304)	EN 1.4404 (AISI 316L)		
43-3	Shaft sleeve (bearing)	EN 1.4301 (AISI 304)	EN 1.4404 (AISI 316L)		
43-5	Shaft sleeve (last stage)	EN 1.4301 (AISI 304)	EN 1.4404 (AISI 316L)		
43-7	Spacer	EN 1.4301 (AISI 304)	EN 1.4404 (AISI 316L)		
44-1	Shaft sleeve bearing	Tungsten carbide			
45	Flange holder	EN 1.4301 (AISI 304)			
46	Ring (mechanical seal)	EN 1.4404 (AISI 316L)			
47	Ring holder	EN 1.4301 (AISI 304)	EN 1.4404 (AISI 316L)		
48	Impeller nut	EN 1.4301 (AISI 304) with inox insert	EN 1.4401 (AISI 316) with inox insert	M8	
52-1	Sleeve bearing	Tungsten carbide			
75	O-Ring (priming plug)	EPDM / FPM		Ø12.37x2.62	OR 3050
75-1	O-Ring (drainage plug)	EPDM / FPM			
107	Liner ring	EN 1.4301 (AISI 304) + PPS	EN 1.4404 (AISI 316L) + PPS		
111	Mechanical seal	see pages 6-7			
111-3	Mechanical seal seat	EN 1.4308 (ASTM CF8)	EN 1.4408 (ASTM CF8M)		
111-4	Seal holder	EN 1.4301 (AISI 304)			
111-5	Mechanical seal cartridge sleeve	EN 1.4301 (AISI 304)	EN 1.4404 (AISI 316L)		
115-1	O-Ring (outer casing)	EPDM / FPM		Ø129.54x5.34	OR 6510
115-3	O-Ring	EPDM / FPM			
115-4	O-Ring (cartridge sleeve)	EPDM / FPM		Ø11.91x2.62	OR 115
115-5	O-Ring (seal flange)	EPDM / FPM		Ø32.99x2.62	OR 3131
120-1	Tie-rod	EN 1.4057 (AISI 431)		M10	
120-3	Screw (seal flange)	A2-70		M4x10	ISO 4762
120-6	Screw (pump coupling)	Galvanized steel		M6x25	ISO 4762
120-11	Screw (counterflange)	A2-70			
120-13	Screw for motor	MEC 71-80 MEC 90-100	Galvanized steel 8.8 strength class ISO 898/1	M6x20 M8x20	ISO 4017 ISO 4017
128-1	Nut (tie rod)	A2-70		M10	ISO 4032
128-5	Nut (tie rod)	A2-70		M10	UNI 7474
128-6	Nut (aluminium coupling)	MEC 71-80-90-100-112	Galvanized steel	M6	ISO 4032
130-1	Set screw	EN 1.4301 (AISI 304)		M5x8	ISO 4026
130-2	Screw for coupling guard	A2-70		M5x6	UNI 7687
131-1	Pin for shaft	Carbon Steel		Ø4x32	ISO 2338
135-1	Washer (tie rod)	EN 1.4301 (AISI 304)		Ø10.5x21x2	ISO 7089
135-6	Washer (aluminium coupling)	up to 4.0 kW	Carbon Steel	Ø6	
137-1	Impeller spacer	EN 1.4301 (AISI 304)	EN 1.4404 (AISI 316L)		
140	Coupling	up to 4.0 kW	Die cast Aluminium EN AB-AISI11Cu2 (Fe)		
160	Base		Die cast Aluminium EN AB-AISI11Cu2 (Fe)		
162	Motor bracket		Cast iron EN-GJL-250		
212	Priming plug	EN 1.4301 (AISI 304)	EN 1.4404 (AISI 316L)	G 3/8	
212-1	Drainage plug	EN 1.4301 (AISI 304)	EN 1.4404 (AISI 316L)	G 3/8	
212-2	Venting plug	EN 1.4404 (AISI 316L)			
219	Counter flange	flange type: N flange type: LF-F-V-C	EN 1.4308 (ASTM CF8) EN 1.4301 (AISI 304)	EN 1.4408 (ASTM CF8M) EN 1.4404 (AISI 316L)	
245	Coupling guard	EN 1.4301 (AISI 304)			
273-1	Washer (drainage plug)	EN 1.4301 (AISI 304)	EN 1.4404 (AISI 316L)		
615	Flange	Nodular Cast Iron			

QUANTITY FOR MODEL EVMS(L)3

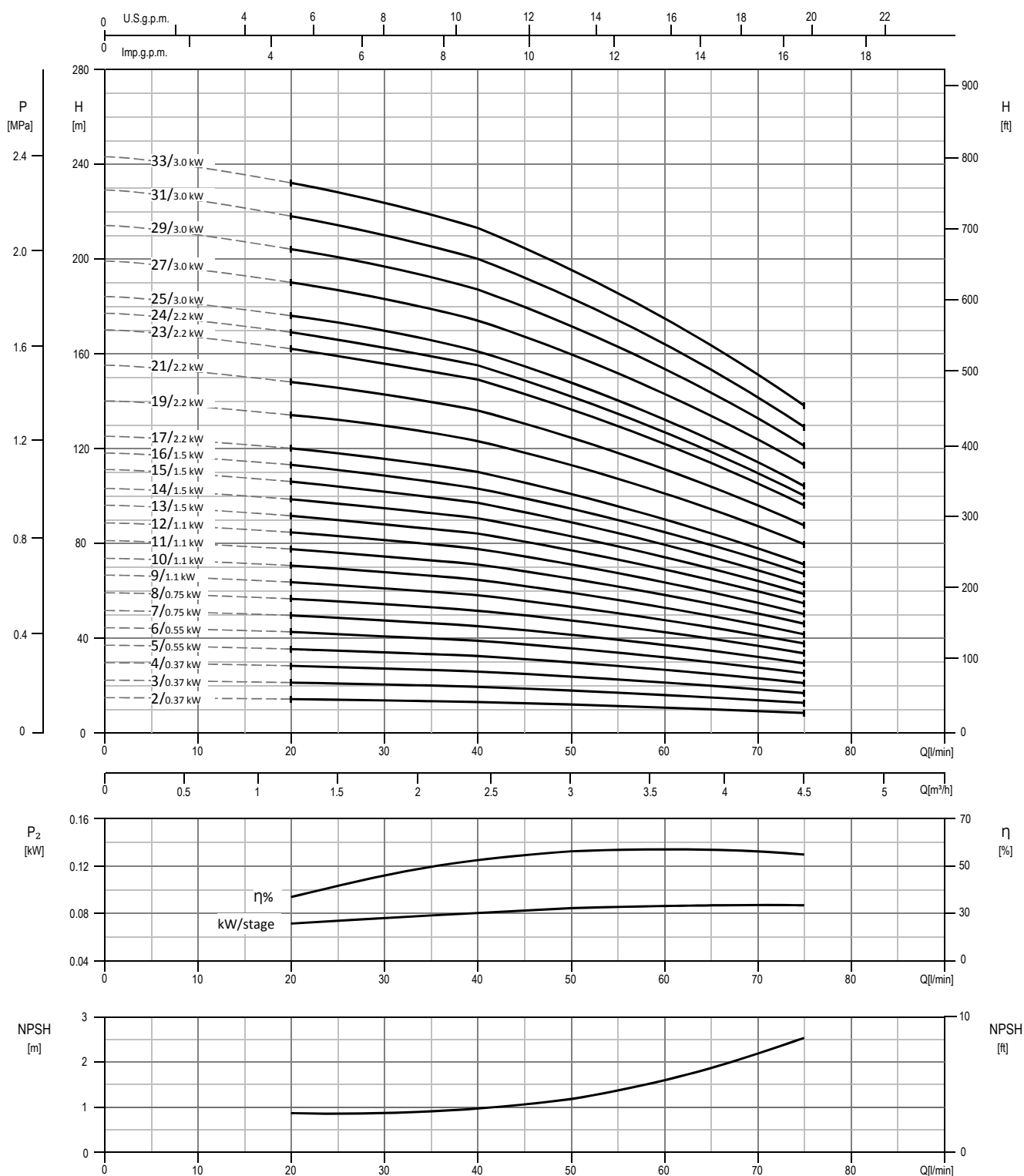
Pump Type	N°																																
	4	5-1	52	53	54	6	7	21	31	32-1	43-2	43-3	43-5	43-7	44-1	45*	46	47	48	52-1	75	75-1	107	111	111-3	111-4	111-5	115-1	115-3*	115-4	115-5		
EVMS(L)3 2/0.37	1	1	/	1	1	1	1	2	1	1	1	1	/	/	1	4	2	1	1	1	1	2	2	1	1	1	1	2	2	1	1	1	1
EVMS(L)3 3/0.37	1	1	1	1	1	1	1	3	1	1	3	1	/	/	1	4	2	1	1	1	1	2	3	1	1	1	1	2	2	1	1	1	
EVMS(L)3 4/0.37	1	1	2	1	1	1	1	4	1	1	5	1	/	/	1	4	2	1	1	1	1	2	4	1	1	1	1	2	2	1	1	1	
EVMS(L)3 5/0.55	1	1	3	1	1	1	1	5	1	1	7	1	1	/	1	4	2	1	1	1	1	2	5	1	1	1	1	2	2	1	1	1	
EVMS(L)3 6/0.55	1	1	4	1	1	1	1	6	1	1	9	1	/	/	1	4	2	1	1	1	1	2	6	1	1	1	1	2	2	1	1	1	
EVMS(L)3 7/0.75	1	1	5	1	1	1	1	7	1	1	11	1	/	/	1	4	2	1	1	1	1	2	7	1	1	1	1	2	2	1	1	1	
EVMS(L)3 8/0.75	1	1	6	1	1	1	1	8	1	1	13	1	/	/	1	4	2	1	1	1	1	2	8	1	1	1	1	2	2	1	1	1	
EVMS(L)3 9/1.1	1	1	7	1	1	1	1	9	1	1	15	1	1	/	1	4	2	1	1	1	1	2	9	1	1	1	1	2	2	1	1	1	
EVMS(L)3 10/1.1	1	1	8	1	1	1	1	10	1	1	17	1	/	/	1	4	2	1	1	1	1	2	10	1	1	1	1	2	2	1	1	1	
EVMS(L)3 11/1.1	1	1	9	1	1	1	1	11	1	1	19	1	/	/	1	4	2	1	1	1	1	2	11	1	1	1	1	2	2	1	1	1	
EVMS(L)3 12/1.1	1	1	10	1	1	1	1	12	1	1	21	1	/	/	1	4	2	1	1	1	1	2	12	1	1	1	1	2	2	1	1	1	
EVMS(L)3 13/1.5	1	1	10	2	1	1	1	13	1	1	20	2	1	1	2	4	2	1	1	2	1	2	13	1	1	1	1	2	2	1	1	1	
EVMS(L)3 14/1.5	1	1	11	2	1	1	1	14	1	1	22	2	1	1	2	4	2	1	1	2	1	2	14	1	1	1	1	2	2	1	1	1	
EVMS(L)3 15/1.5	1	1	12	2	1	1	1	15	1	1	24	2	1	1	2	4	2	1	1	2	1	2	15	1	1	1	1	2	2	1	1	1	
EVMS(L)3 16/1.5	1	1	13	2	1	1	1	16	1	1	26	2	1	1	2	4	2	1	1	2	1	2	16	1	1	1	1	2	2	1	1	1	
EVMS(L)3 17/2.2	1	1	14	2	1	1	1	17	1	1	28	2	1	1	2	4	2	1	1	2	1	2	17	1	1	1	1	2	2	1	1	1	
EVMS(L)3 19/2.2	1	1	16	2	1	1	1	19	1	1	32	2	1	1	2	4	2	1	1	2	1	2	19	1	1	1	1	2	2	1	1	1	
EVMS(L)3 21/2.2	1	1	18	2	1	1	1	21	1	1	36	2	1	1	2	4	2	1	1	2	1	2	21	1	1	1	1	2	2	1	1	1	
EVMS(L)3 23/2.2	1	1	20	2	1	1	1	23	1	1	40	2	1	1	2	4	2	1	1	2	1	2	23	1	1	1	1	2	2	1	1	1	
EVMS(L)3 24/2.2	1	1	21	2	1	1	1	24	1	1	42	2	1	1	2	4	2	1	1	2	1	2	24	1	1	1	1	2	2	1	1	1	
EVMS(L)3 25/3.0	1	1	22	2	1	1	1	25	1	1	44	2	1	1	2	4	2	1	1	2	1	2	25	1	1	1	1	2	2	1	1	1	
EVMS(L)3 27/3.0	1	1	24	2	1	1	1	27	1	1	48	2	1	1	2	4	2	1	1	2	1	2	27	1	1	1	1	2	2	1	1	1	
EVMS(L)3 29/3.0	1	1	26	2	1	1	1	29	1	1	52	2	1	1	2	4	2	1	1	2	1	2	29	1	1	1	1	2	2	1	1	1	
EVMS(L)3 31/3.0	1	1	28	2	1	1	1	31	1	1	56	2	1	1	2	4	2	1	1	2	1	2	31	1	1	1	1	2	2	1	1	1	
EVMS(L)3 33/3.0	1	1	30	2	1	1	1	33	1	1	60	2	1	1	2	4	2	1	1	2	1	2	33	1	1	1	1	2	2	1	1	1	

Pump Type	N°																							
	120-1	120-3	120-6	120-11*	120-13	128-1	128-5	128-6	130-1	130-2	131-1	135-1	135-6	137-1	140	160	162	212	212-1	212-2	219*	245	273-1	615**
EVMS(L)3 2/0.37	4	4	4	4	4	4	4	4	3	4	1	4	4	1	2	1	1	1	2	1	2	2	2	2
EVMS(L)3 3/0.37	4	4	4	4	4	4	4	4	3	4	1	4	4	1	2	1	1	1	2	1	2	2	2	2
EVMS(L)3 4/0.37	4	4	4	4	4	4	4	4	3	4	1	4	4	1	2	1	1	1	2	1	2	2	2	2
EVMS(L)3 5/0.55	4	4	4	4	4	4	4	4	3	4	1	4	4	1	2	1	1	1	2	1	2	2	2	2
EVMS(L)3 6/0.55	4	4	4	4	4	4	4	4	3	4	1	4	4	1	2	1	1	1	2	1	2	2	2	2
EVMS(L)3 7/0.75	4	4	4	4	4	4	4	4	3	4	1	4	4	1	2	1	1	1	2	1	2	2	2	2
EVMS(L)3 8/0.75	4	4	4	4	4	4	4	4	3	4	1	4	4	1	2	1	1	1	2	1	2	2	2	2
EVMS(L)3 9/1.1	4	4	4	4	4	4	4	4	3	4	1	4	4	1	2	1	1	1	2	1	2	2	2	2
EVMS(L)3 10/1.1	4	4	4	4	4	4	4	4	3	4	1	4	4	1	2	1	1	1	2	1	2	2	2	2
EVMS(L)3 11/1.1	4	4	4	4	4	4	4	4	3	4	1	4	4	1	2	1	1	1	2	1	2	2	2	2
EVMS(L)3 12/1.1	4	4	4	4	4	4	4	4	3	4	1	4	4	1	2	1	1	1	2	1	2	2	2	2
EVMS(L)3 13/1.5	4	4	4	4	4	4	4	4	3	4	1	4	4	1	2	1	1	1	2	1	2	2	2	2
EVMS(L)3 14/1.5	4	4	4	4	4	4	4	4	3	4	1	4	4	1	2	1	1	1	2	1	2	2	2	2
EVMS(L)3 15/1.5	4	4	4	4	4	4	4	4	3	4	1	4	4	1	2	1	1	1	2	1	2	2	2	2
EVMS(L)3 16/1.5	4	4	4	4	4	4	4	4	3	4	1	4	4	1	2	1	1	1	2	1	2	2	2	2
EVMS(L)3 17/2.2	4	4	4	4	4	4	4	4	3	4	1	4	4	1	2	1	1	1	2	1	2	2	2	2
EVMS(L)3 19/2.2	4	4	4	4	4	4	4	4	3	4	1	4	4	1	2	1	1	1	2	1	2	2	2	2
EVMS(L)3 21/2.2	4	4	4	4	4	4	4	4	3	4	1	4	4	1	2	1	1	1	2	1	2	2	2	2
EVMS(L)3 23/2.2	4	4	4	/	4	4	4	4	3	4	1	4	4	1	2	1	1	1	2	1	/	2	2	2
EVMS(L)3 24/2.2	4	4	4	/	4	4	4	4	3	4	1	4	4	1	2	1	1	1	2	1	/	2	2	2
EVMS(L)3 25/3.0	4	4	4	/	4	4	4	4	3	4	1	4	4	1	2	1	1	1	2	1	/	2	2	2
EVMS(L)3 27/3.0	4	4	4	/	4	4	4	4	3	4	1	4	4	1	2	1	1	1	2	1	/	2	2	2
EVMS(L)3 29/3.0	4	4	4	/	4	4	4	4	3	4	1	4	4	1	2	1	1	1	2	1	/	2	2	2
EVMS(L)3 31/3.0	4	4	4	/	4	4	4	4	3	4	1	4	4	1	2	1	1	1	2	1	/	2	2	2
EVMS(L)3 33/3.0	4	4	4	/	4	4	4	4	3	4	1	4	4	1	2	1	1	1	2	1	/	2	2	2

* only for Oval flange (N)
** only for Loose round flange (LF)

PERFORMANCE CURVE
EVMSG3

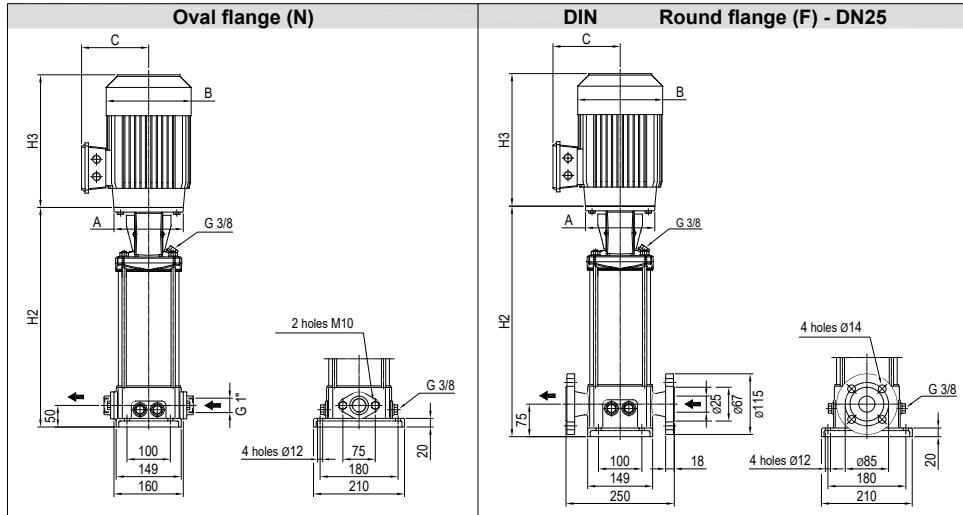
EVMSG3



Test standard: ISO 9906:2012 - Grade 3B

TECHNICAL DATA EVMSG3

Dimensional sketch

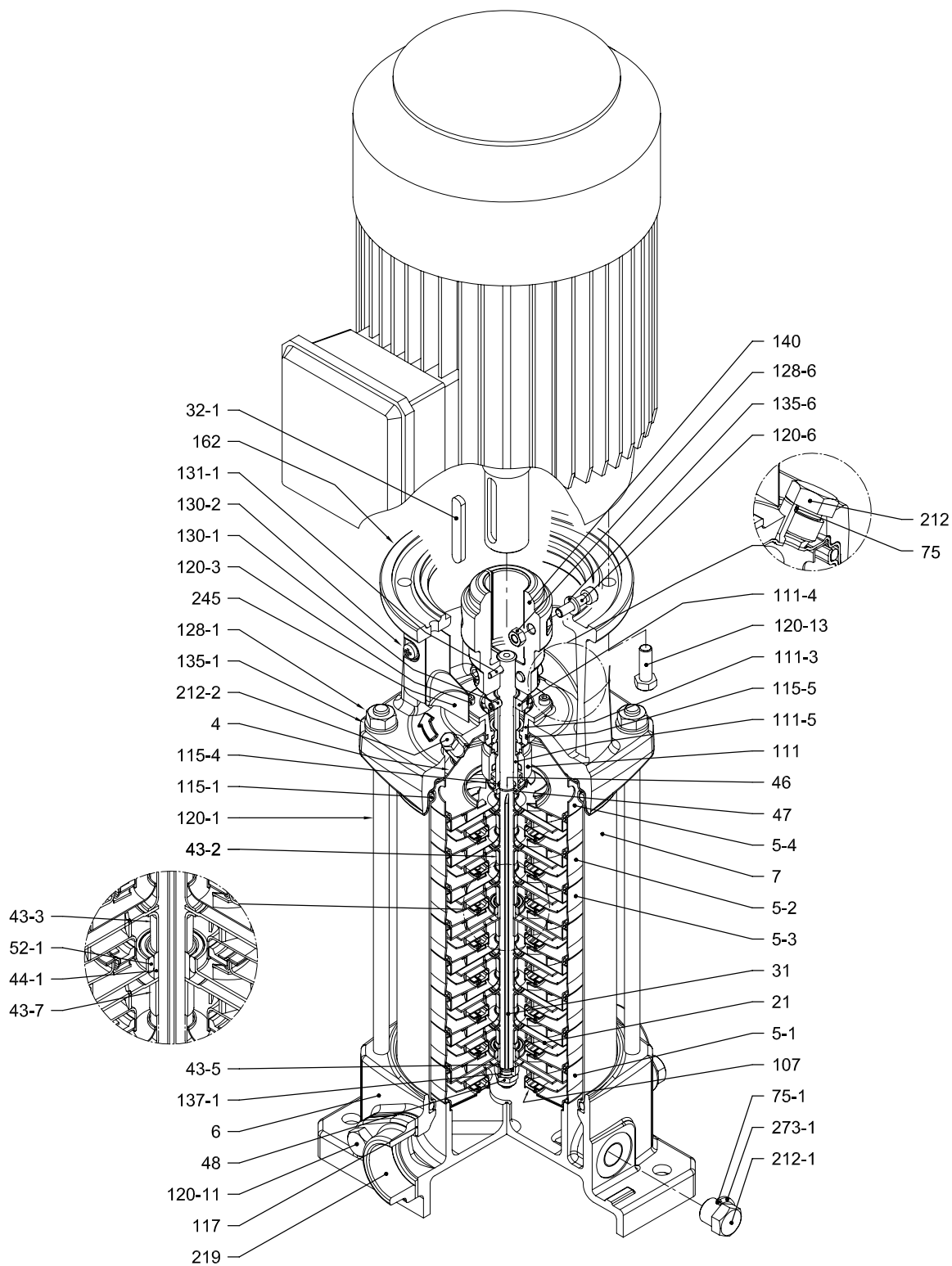


Dimensions [mm] and Weights [Kg]

Pump Type	Pmax [MPa]	Motor						Oval flange (N)						Round flange (F)							
		kW	Size	1~			3~			H2	H2+H3		Weight Pump		H2	H2+H3		Weight Pump		Weight Pump + Motor	
				A	B	C	B	C	1~		3~	1~	3~	1~		3~	1~	3~			
EVMSG3 2/0.37	1.6	0.37	71	105	139	124	141	119	250	466	452	12.9	21.4	19.4	275	491	477	15.7	24.2	22.2	
EVMSG3 3/0.37	1.6	0.37	71	105	139	124	141	119	271	487	473	13.3	21.8	19.8	296	512	498	16.1	24.6	22.6	
EVMSG3 4/0.37	1.6	0.37	71	105	139	124	141	119	292	508	494	13.8	22.3	20.3	317	533	519	16.6	25.1	23.1	
EVMSG3 5/0.55	1.6	0.55	71	105	139	124	141	119	313	529	515	14.2	22.8	21.2	338	554	540	17	25.6	24.0	
EVMSG3 6/0.55	1.6	0.55	71	105	139	124	141	119	334	550	536	14.7	23.3	21.7	359	575	561	17.4	26.0	24.4	
EVMSG3 7/0.75	1.6	0.75	80	120	157	150	141	102	365	597	598	15.6	27.4	24.1	390	622	623	18.3	30.1	26.8	
EVMSG3 8/0.75	1.6	0.75	80	120	157	150	141	102	386	618	619	16	27.8	24.5	411	643	644	18.8	30.6	27.3	
EVMSG3 9/1.1	1.6	1.1	80	120	157	149	141	102	407	639	651	16.4	28.4	26.4	432	664	676	19.2	31.2	29.2	
EVMSG3 10/1.1	1.6	1.1	80	120	157	149	141	102	428	660	672	16.9	28.9	26.9	453	685	697	19.7	31.7	29.7	
EVMSG3 11/1.1	1.6	1.1	80	120	157	149	141	102	449	681	693	17.3	29.3	27.3	474	706	718	20.1	32.1	30.1	
EVMSG3 12/1.1	1.6	1.1	80	120	157	149	141	102	470	702	714	17.8	29.8	27.8	495	727	739	20.6	32.6	30.6	
EVMSG3 13/1.5	1.6	1.5	90	140	172	140	160	119	501	779	792	18.5	40.0	32.0	526	804	817	21.3	40.0	34.8	
EVMSG3 14/1.5	1.6	1.5	90	140	172	140	160	119	522	800	813	19	40.0	32.5	547	825	838	21.7	40.0	35.2	
EVMSG3 15/1.5	1.6	1.5	90	140	172	140	160	119	543	821	834	19.4	40.0	32.9	568	846	859	22.2	40.0	35.7	
EVMSG3 16/1.5	1.6	1.5	90	140	172	140	160	119	564	842	855	20.5	41.0	34.0	589	867	880	23.2	41.0	36.7	
EVMSG3 17/2.2	1.6	2.2	90	140	172	140	160	119	585	901	876	20.9	47.0	35.9	610	926	901	23.7	47.0	38.7	
EVMSG3 19/2.2	1.6	2.2	90	140	172	140	160	119	627	943	918	21.9	48.0	36.9	652	968	943	24.7	48.0	39.7	
EVMSG3 21/2.2	1.6	2.2	90	140	172	140	160	119	669	985	960	22.8	49.0	37.8	694	1010	985	25.6	49.0	40.6	
EVMSG3 23/2.2	2.5	2.2	90	140	172	140	160	119	-	-	-	-	-	-	736	1052	1027	26.6	50.0	41.6	
EVMSG3 24/2.2	2.5	2.2	90	140	172	140	160	119	-	-	-	-	-	-	757	1073	1048	27	51.0	42.0	
EVMSG3 25/3.0	2.5	3.0	100	160	-	-	176	123	-	-	-	-	-	-	788	-	1130	27.6	-	49.6	
EVMSG3 27/3.0	2.5	3.0	100	160	-	-	176	123	-	-	-	-	-	-	830	-	1172	28.6	-	50.6	
EVMSG3 29/3.0	2.5	3.0	100	160	-	-	176	123	-	-	-	-	-	-	872	-	1214	29.6	-	51.6	
EVMSG3 31/3.0	2.5	3.0	100	160	-	-	176	123	-	-	-	-	-	-	914	-	1256	30.5	-	52.5	
EVMSG3 33/3.0	2.5	3.0	100	160	-	-	176	123	-	-	-	-	-	-	956	-	1298	31.3	-	53.3	

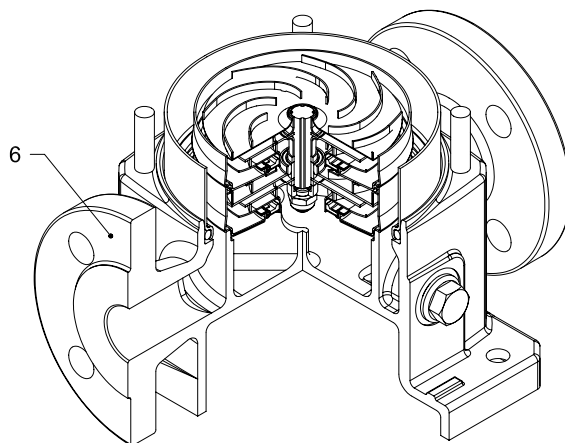
1.6 MPa=16 bar; 2.5 MPa=25 bar
- not available model

SECTIONAL VIEW
EVMSG3



with Oval flange (N)

PIPE CONNECTION EVMSG3



with Round flange (F)

SECTIONAL TABLE
EVMSG3

N°	PART NAME	MATERIAL EVMSG	DIMENSIONS	STANDARD
4	Casing cover	EN 1.4301 (AISI 304)		
5-1	Suction casing	EN 1.4301 (AISI 304)		
5-2	Intermediate casing	EN 1.4301 (AISI 304)		
5-3	Intermediate casing with bearing	EN 1.4301 (AISI 304)		
5-4	Discharge casing	EN 1.4301 (AISI 304)		
6	Bottom casing	Cast Iron EN-GJL-250		
7	Outer casing	EN 1.4301 (AISI 304)		
21	Impeller	EN 1.4301 (AISI 304)		
31	Shaft	EN 1.4301 (AISI 304)		
32-1	Adjuster key	EN 1.4301 (AISI 304)		
43-2	Shaft sleeve (intermediate)	EN 1.4301 (AISI 304)		
43-3	Shaft sleeve (bearing)	EN 1.4301 (AISI 304)		
43-5	Shaft sleeve (last stage)	EN 1.4301 (AISI 304)		
43-7	Spacer	EN 1.4301 (AISI 304)		
44-1	Shaft sleeve bearing	Tungsten carbide		
46	Ring (mechanical seal)	EN 1.4404 (AISI 316L)		
47	Ring holder	EN 1.4404 (AISI 316L)		
48	Impeller nut	EN 1.4301 (AISI 304) with inox insert	M8	
52-1	Sleeve bearing	Tungsten carbide		
75	O-Ring (priming plug)	EPDM / FPM	Ø12.37x2.62	OR 3050
75-1	O-Ring (drainage plug)	EPDM / FPM		
107	Liner ring	EN 1.4301 (AISI 304) + PPS		
111	Mechanical seal	see pages 6-7		
111-3	Mechanical seal seat	EN 1.4308 (ASTM CF8)		
111-4	Seal holder	EN 1.4301 (AISI 304)		
111-5	Mechanical seal cartridge sleeve	EN 1.4301 (AISI 304)		
115-1	O-Ring (outer casing)	EPDM / FPM	Ø129.54x5.34	OR 6510
115-4	O-Ring (cartridge sleeve)	EPDM / FPM	Ø11.91x2.62	OR 115
115-5	O-Ring (seal flange)	EPDM / FPM	Ø32.99x2.62	OR 3131
117	Flange gasket	EPDM / FPM		
120-1	Tie-rod	EN 1.4057 (AISI 431)	M10	
120-3	Screw (seal flange)	A2-70	M4x10	ISO 4762
120-6	Screw (pump coupling)	Galvanized steel	M6x25	ISO 4762
120-11	Screw (counterflange)	A2-70		
120-13	Screw for motor	MEC 71-80 MEC 90-100	Galvanized steel 8.8 strength class ISO 898/1	M6x20 M8x20 ISO 4017 ISO 4017
128-1	Nut (tie rod)	A2-70	M10	ISO 4032
128-6	Nut (aluminium coupling)	MEC 71-80-90-100-112	Galvanized steel	M6 ISO 4032
130-1	Set screw	EN 1.4301 (AISI 304)	M5x8	ISO 4026
130-2	Screw for coupling guard	A2-70	M5x6	UNI 7687
131-1	Pin for shaft	Carbon Steel	Ø4x32	ISO 2338
135-1	Washer (tie rod)	EN 1.4301 (AISI 304)	Ø10.5x21x2	ISO 7089
135-6	Washer (aluminium coupling)	up to 4.0 kW	Carbon Steel	Ø6
137-1	Impeller spacer	EN 1.4301 (AISI 304)		
140	Coupling	up to 4.0 kW	Die cast Aluminium EN AB-AISI11Cu2 (Fe)	
162	Motor bracket	Cast iron EN-GJL-250		
212	Priming plug	EN 1.4301 (AISI 304)	G 3/8	
212-1	Drainage plug	EN 1.4301 (AISI 304)	G 3/8	
212-2	Venting plug	EN 1.4404 (AISI 316L)		
219	Counter flange	flange type: N flange type: F	Galvanized steel Cast Iron EN-GJL-250	
245	Coupling guard	EN 1.4301 (AISI 304)		
273-1	Washer (drainage plug)	EN 1.4301 (AISI 304)		

QUANTITY FOR MODEL EVMSG3

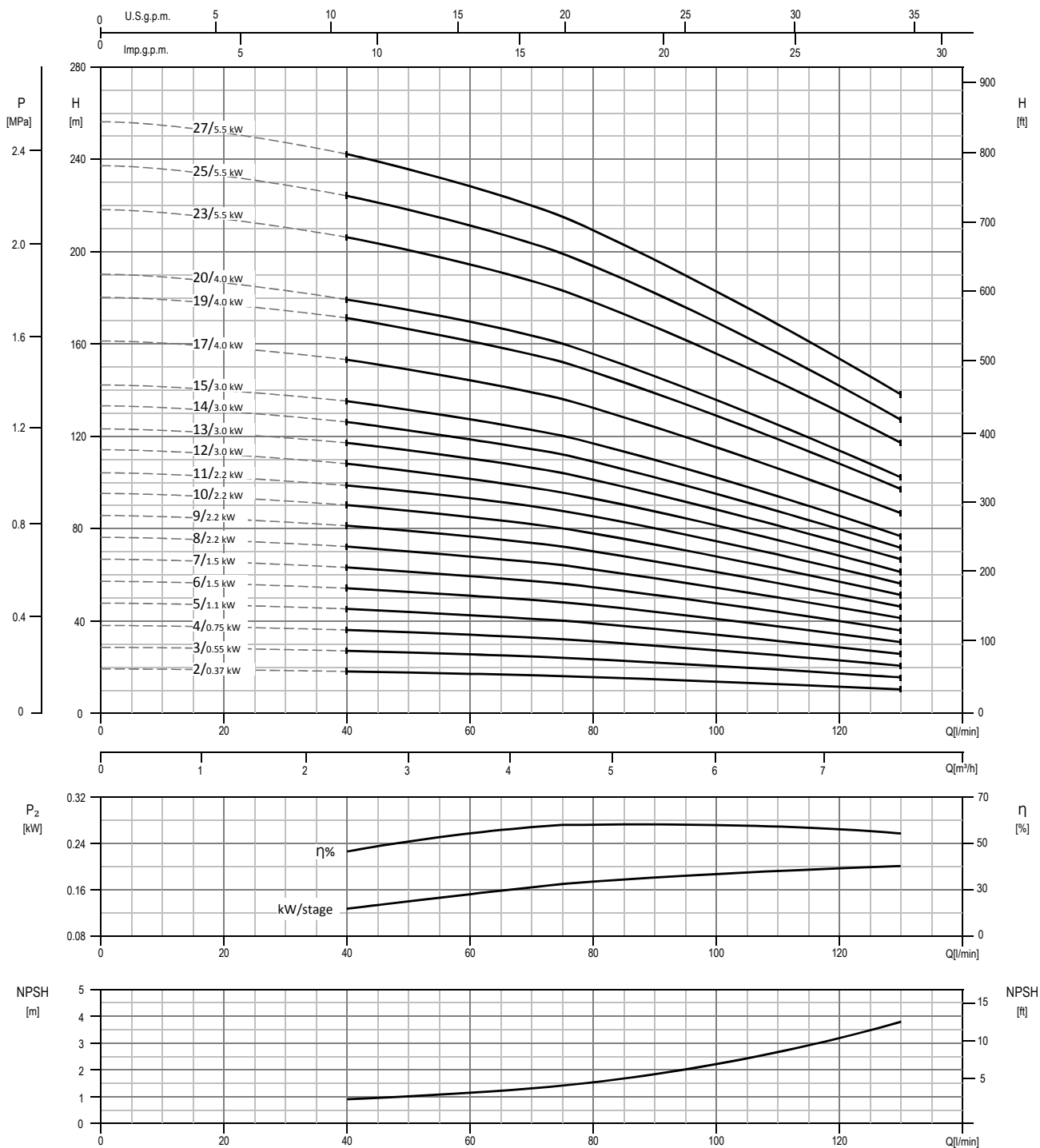
Pump Type	N°																												
	4	5-1	52	53	54	6	7	21	31	32-1	43-2	43-3	43-5	43-7	44-1	46	47	48	52-1	75	75-1	107	111	111-3	111-4	111-5	115-1	115-4	115-5
EVMSG3 2/0.37	1	1	/	1	1	1	1	2	1	1	1	1	/	/	1	2	1	1	1	1	4	2	1	1	1	1	2	1	1
EVMSG3 3/0.37	1	1	1	1	1	1	1	3	1	1	3	1	/	/	1	2	1	1	1	1	4	3	1	1	1	1	2	1	1
EVMSG3 4/0.37	1	1	2	1	1	1	1	4	1	1	5	1	/	/	1	2	1	1	1	1	4	4	1	1	1	1	2	1	1
EVMSG3 5/0.55	1	1	3	1	1	1	1	5	1	1	7	1	1	/	1	2	1	1	1	1	4	5	1	1	1	1	2	1	1
EVMSG3 6/0.55	1	1	4	1	1	1	1	6	1	1	9	1	/	/	1	2	1	1	1	1	4	6	1	1	1	1	2	1	1
EVMSG3 7/0.75	1	1	5	1	1	1	1	7	1	1	11	1	/	/	1	2	1	1	1	1	4	7	1	1	1	1	2	1	1
EVMSG3 8/0.75	1	1	6	1	1	1	1	8	1	1	13	1	/	/	1	2	1	1	1	1	4	8	1	1	1	1	2	1	1
EVMSG3 9/1.1	1	1	7	1	1	1	1	9	1	1	15	1	/	1	2	1	1	1	1	1	4	9	1	1	1	1	2	1	1
EVMSG3 10/1.1	1	1	8	1	1	1	1	10	1	1	17	1	/	1	2	1	1	1	1	1	4	10	1	1	1	1	2	1	1
EVMSG3 11/1.1	1	1	9	1	1	1	1	11	1	1	19	1	/	1	2	1	1	1	1	1	4	11	1	1	1	1	2	1	1
EVMSG3 12/1.1	1	1	10	1	1	1	1	12	1	1	21	1	/	1	2	1	1	1	1	1	4	12	1	1	1	1	2	1	1
EVMSG3 13/1.5	1	1	10	2	1	1	1	13	1	1	20	2	/	1	2	2	1	1	2	1	4	13	1	1	1	1	2	1	1
EVMSG3 14/1.5	1	1	11	2	1	1	1	14	1	1	22	2	/	1	2	2	1	1	2	1	4	14	1	1	1	1	2	1	1
EVMSG3 15/1.5	1	1	12	2	1	1	1	15	1	1	24	2	/	1	2	2	1	1	2	1	4	15	1	1	1	1	2	1	1
EVMSG3 16/1.5	1	1	13	2	1	1	1	16	1	1	26	2	/	1	2	2	1	1	2	1	4	16	1	1	1	1	2	1	1
EVMSG3 17/2.2	1	1	14	2	1	1	1	17	1	1	28	2	/	1	2	2	1	1	2	1	4	17	1	1	1	1	2	1	1
EVMSG3 19/2.2	1	1	16	2	1	1	1	19	1	1	32	2	/	1	2	2	1	1	2	1	4	19	1	1	1	1	2	1	1
EVMSG3 21/2.2	1	1	18	2	1	1	1	21	1	1	36	2	/	1	2	2	1	1	2	1	4	21	1	1	1	1	2	1	1
EVMSG3 23/2.2	1	1	20	2	1	1	1	23	1	1	40	2	/	1	2	2	1	1	2	1	4	23	1	1	1	1	2	1	1
EVMSG3 24/2.2	1	1	21	2	1	1	1	24	1	1	42	2	/	1	2	2	1	1	2	1	4	24	1	1	1	1	2	1	1
EVMSG3 25/3.0	1	1	22	2	1	1	1	25	1	1	44	2	/	1	2	2	1	1	2	1	4	25	1	1	1	1	2	1	1
EVMSG3 27/3.0	1	1	24	2	1	1	1	27	1	1	48	2	/	1	2	2	1	1	2	1	4	27	1	1	1	1	2	1	1
EVMSG3 29/3.0	1	1	26	2	1	1	1	29	1	1	52	2	/	1	2	2	1	1	2	1	4	29	1	1	1	1	2	1	1
EVMSG3 31/3.0	1	1	28	2	1	1	1	31	1	1	56	2	/	1	2	2	1	1	2	1	4	31	1	1	1	1	2	1	1
EVMSG3 33/3.0	1	1	30	2	1	1	1	33	1	1	60	2	/	1	2	2	1	1	2	1	4	33	1	1	1	1	2	1	1

Pump Type	N°																					
	117*	120-1	120-3	120-6	120-11*	120-13	128-1	128-6	130-1	130-2	131-1	135-1	135-6	137-1	140	162	212	212-1	212-2	219*	245	273-1
EVMSG3 2/0.37	2	4	4	4	4	4	4	4	3	4	1	4	4	1	2	1	1	4	1	2	2	4
EVMSG3 3/0.37	2	4	4	4	4	4	4	4	3	4	1	4	4	1	2	1	1	4	1	2	2	4
EVMSG3 4/0.37	2	4	4	4	4	4	4	4	3	4	1	4	4	1	2	1	1	4	1	2	2	4
EVMSG3 5/0.55	2	4	4	4	4	4	4	4	3	4	1	4	4	1	2	1	1	4	1	2	2	4
EVMSG3 6/0.55	2	4	4	4	4	4	4	4	3	4	1	4	4	1	2	1	1	4	1	2	2	4
EVMSG3 7/0.75	2	4	4	4	4	4	4	4	3	4	1	4	4	1	2	1	1	4	1	2	2	4
EVMSG3 8/0.75	2	4	4	4	4	4	4	4	3	4	1	4	4	1	2	1	1	4	1	2	2	4
EVMSG3 9/1.1	2	4	4	4	4	4	4	4	3	4	1	4	4	1	2	1	1	4	1	2	2	4
EVMSG3 10/1.1	2	4	4	4	4	4	4	4	3	4	1	4	4	1	2	1	1	4	1	2	2	4
EVMSG3 11/1.1	2	4	4	4	4	4	4	4	3	4	1	4	4	1	2	1	1	4	1	2	2	4
EVMSG3 12/1.1	2	4	4	4	4	4	4	4	3	4	1	4	4	1	2	1	1	4	1	2	2	4
EVMSG3 13/1.5	2	4	4	4	4	4	4	4	3	4	1	4	4	1	2	1	1	4	1	2	2	4
EVMSG3 14/1.5	2	4	4	4	4	4	4	4	3	4	1	4	4	1	2	1	1	4	1	2	2	4
EVMSG3 15/1.5	2	4	4	4	4	4	4	4	3	4	1	4	4	1	2	1	1	4	1	2	2	4
EVMSG3 16/1.5	2	4	4	4	4	4	4	4	3	4	1	4	4	1	2	1	1	4	1	2	2	4
EVMSG3 17/2.2	2	4	4	4	4	4	4	4	3	4	1	4	4	1	2	1	1	4	1	2	2	4
EVMSG3 19/2.2	2	4	4	4	4	4	4	4	3	4	1	4	4	1	2	1	1	4	1	2	2	4
EVMSG3 21/2.2	2	4	4	4	4	4	4	4	3	4	1	4	4	1	2	1	1	4	1	2	2	4
EVMSG3 23/2.2	/	4	4	4	/	4	4	4	3	4	1	4	4	1	2	1	1	4	1	/	2	4
EVMSG3 24/2.2	/	4	4	4	/	4	4	4	3	4	1	4	4	1	2	1	1	4	1	/	2	4
EVMSG3 25/3.0	/	4	4	4	/	4	4	4	3	4	1	4	4	1	2	1	1	4	1	/	2	4
EVMSG3 27/3.0	/	4	4	4	/	4	4	4	3	4	1	4	4	1	2	1	1	4	1	/	2	4
EVMSG3 29/3.0	/	4	4	4	/	4	4	4	3	4	1	4	4	1	2	1	1	4	1	/	2	4
EVMSG3 31/3.0	/	4	4	4	/	4	4	4	3	4	1	4	4	1	2	1	1	4	1	/	2	4
EVMSG3 33/3.0	/	4	4	4	/	4	4	4	3	4	1	4	4	1	2	1	1	4	1	/	2	4

* only for Oval flange (N)

PERFORMANCE CURVE
EVMS(L)5

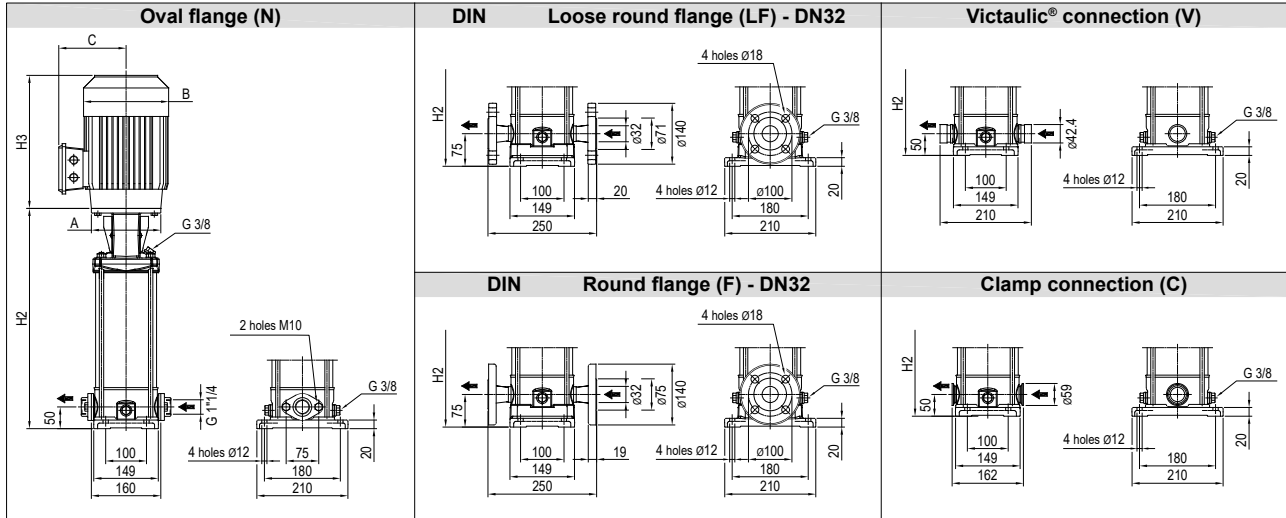
EVMS(L)5



Test standard: ISO 9906:2012 - Grade 3B

TECHNICAL DATA EVMS(L)5

Dimensional sketch

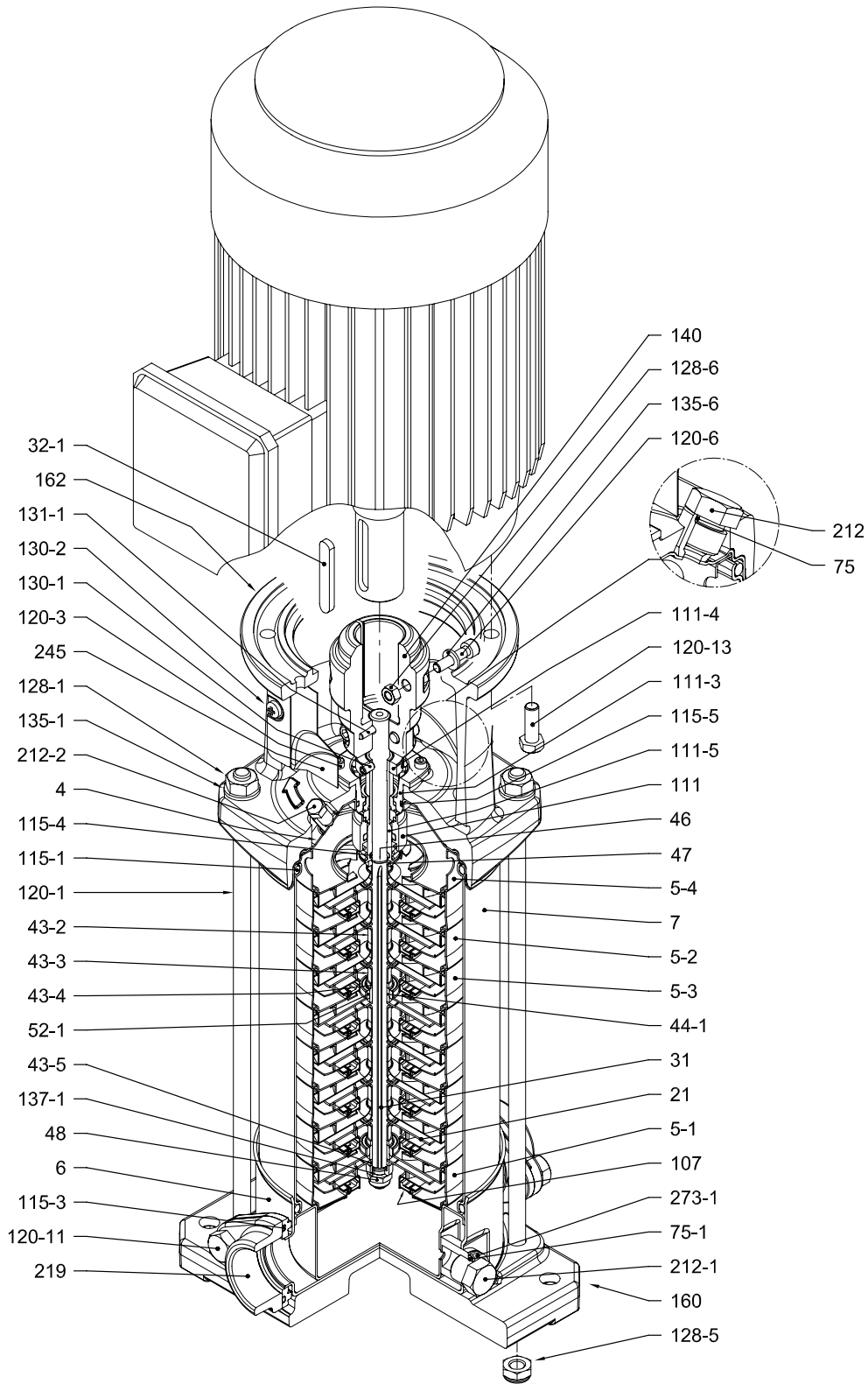


Dimensions [mm] and Weights [Kg]

Pump Type	P _{max} [MPa]	kW	Motor						Oval flange (N)				Loose round flange (LF) Round flange (F)				Victaulic® connection (V) Clamp connection (C)									
			Size	1~			3~			H2	H2+H3		Weight Pump	Weight Pump + Motor		H2	H2+H3		Weight Pump	Weight Pump + Motor						
				Ø	A	B	C	B	C		1~	3~		1~	3~		1~	3~		1~	3~	1~	3~			
EVMS(L)5 2/0.37	1.6	0.37	71	105	139	124	141	119	264	480	466	9.8	18,3	16,3	289	505	491	11	19,5	17,5	264	466	466	9.9	18,4	16,4
EVMS(L)5 3/0.55	1.6	0.55	71	105	139	124	141	119	292	508	494	10.3	18,9	17,3	317	533	519	11.5	20,1	18,5	292	494	494	10.4	19,0	17,4
EVMS(L)5 4/0.75	1.6	0.75	80	120	157	150	141	102	330	562	563	11.3	23,1	19,8	355	587	588	12.5	24,3	21,0	330	559	563	11.4	23,2	19,9
EVMS(L)5 5/1.1	1.6	1.1	80	120	157	149	141	102	358	590	602	11.8	23,8	21,8	383	615	627	13	25,0	23,0	358	587	602	11.9	23,9	21,9
EVMS(L)5 6/1.5	1.6	1.5	90	140	172	140	160	119	396	674	687	12.7	31,0	26,2	421	699	712	13.7	32,0	27,2	396	674	687	12.6	30,0	26,1
EVMS(L)5 7/1.5	1.6	1.5	90	140	172	140	160	119	424	702	715	12.8	31,0	26,3	449	727	740	14.1	32,0	27,6	424	702	715	13	31,0	26,5
EVMS(L)5 8/2.2	1.6	2.2	90	140	172	140	160	119	452	768	743	13.4	45,0	28,4	477	793	768	14.6	45,0	29,6	452	730	743	13.5	45,0	28,5
EVMS(L)5 9/2.2	1.6	2.2	90	140	172	140	160	119	480	796	771	13.9	45,0	28,9	505	821	796	15.2	45,0	30,2	480	758	771	14.1	45,0	29,1
EVMS(L)5 10/2.2	1.6	2.2	90	140	172	140	160	119	508	824	799	14.4	46,0	29,4	533	849	824	15.6	46,0	30,6	508	786	799	14.5	46,0	29,5
EVMS(L)5 11/2.2	1.6	2.2	90	140	172	140	160	119	536	852	827	15.2	46,0	30,2	561	877	852	16.5	46,0	31,5	536	814	827	15.4	46,0	30,4
EVMS(L)5 12/3.0	1.6	3.0	100	160	-	-	176	123	574	-	916	16.7	-	38,7	599	-	941	17.7	-	39,7	574	-	916	16.6	-	38.6
EVMS(L)5 13/3.0	1.6	3.0	100	160	-	-	176	123	602	-	944	17	-	39,0	627	-	969	18.3	-	40,3	602	-	944	17.2	-	39.2
EVMS(L)5 14/3.0	1.6	3.0	100	160	-	-	176	123	630	-	972	17.6	-	39,6	655	-	997	18.8	-	40,8	630	-	972	17.7	-	39.7
EVMS(L)5 15/3.0	1.6	3.0	100	160	-	-	176	123	658	-	1000	18.6	-	40,6	683	-	1025	19.9	-	41,9	658	-	1000	18.8	-	40.8
EVMS(L)5 17/4.0	1.6	4.0	112	160	-	-	193	138	714	-	1078	19.3	-	47,8	739	-	1103	20.6	-	49,1	714	-	1078	19.5	-	48.0
EVMS(L)5 19/4.0	2.5	4.0	112	160	-	-	193	138	-	-	-	-	-	-	795	-	1159	21.7	-	50,2	770	-	1134	20.6	-	49.1
EVMS(L)5 20/4.0	2.5	4.0	112	160	-	-	193	138	-	-	-	-	-	-	823	-	1187	23.9	-	52,4	798	-	1162	22.8	-	51.3
EVMS(L)5 23/5.5	2.5	5.5	132	300	-	-	220	152	-	-	-	-	-	-	1001	-	1400	30.6	-	69,6	976	-	1375	29.5	-	68.5
EVMS(L)5 25/5.5	2.5	5.5	132	300	-	-	220	152	-	-	-	-	-	-	1057	-	1456	31.6	-	70,6	1032	-	1431	30.5	-	69.5
EVMS(L)5 27/5.5	2.5	5.5	132	300	-	-	220	152	-	-	-	-	-	-	1113	-	1512	33.1	-	72,1	1088	-	1487	32	-	71.0

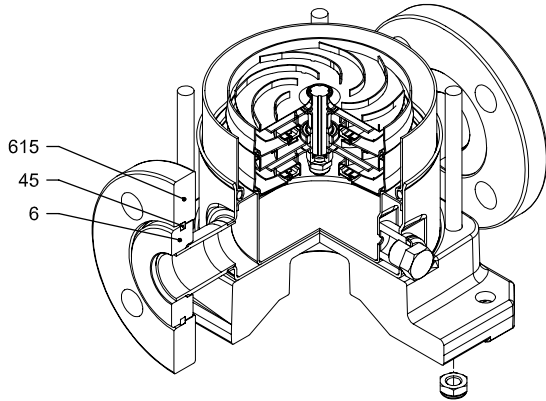
1.6 MPa=16 bar; 2.5 MPa=25 bar
- not available model

SECTIONAL VIEW
EVMS(L)5

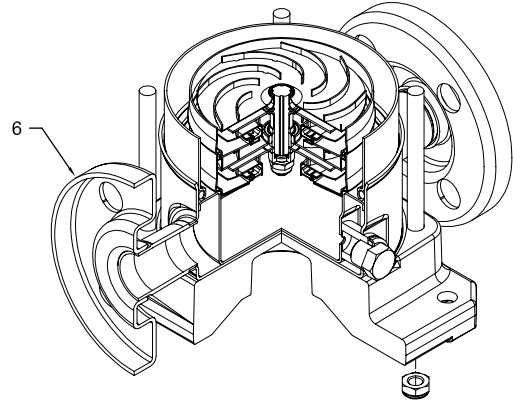


with Oval flange (N)

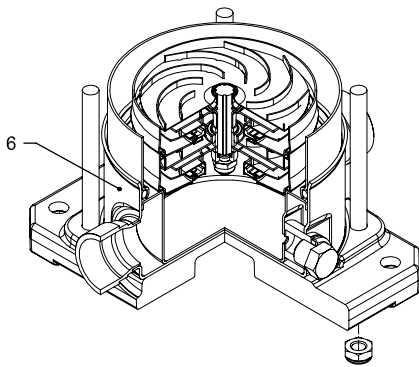
PIPE CONNECTION EVMS(L)5



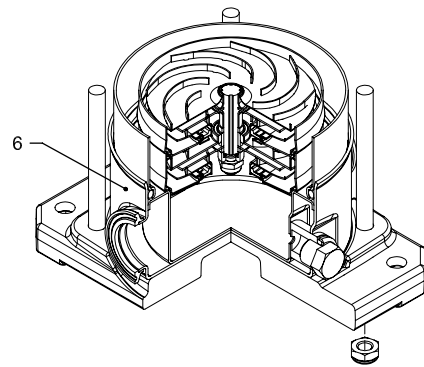
with Loose round flange (LF)



with Round flange (F)



with Victaulic® connection (V)



with Clamp connection (C)

SECTIONAL TABLE
EVMS(L)5

N°	PART NAME	MATERIAL		DIMENSIONS	STANDARD
		EVMS	EVMSL		
4	Casing cover	EN 1.4301 (AISI 304)	EN 1.4404 (AISI 316L)		
5-1	Suction casing	EN 1.4301 (AISI 304)	EN 1.4404 (AISI 316L)		
5-2	Intermediate casing	EN 1.4301 (AISI 304)	EN 1.4404 (AISI 316L)		
5-3	Intermediate casing with bearing	EN 1.4301 (AISI 304)	EN 1.4404 (AISI 316L)		
5-4	Discharge casing	EN 1.4301 (AISI 304)	EN 1.4404 (AISI 316L)		
6	Bottom casing	EN 1.4301 (AISI 304)	EN 1.4404 (AISI 316L)		
7	Outer casing	EN 1.4301 (AISI 304)	EN 1.4404 (AISI 316L)		
21	Impeller	EN 1.4301 (AISI 304)	EN 1.4404 (AISI 316L)		
31	Shaft	EN 1.4301 (AISI 304) - EN 1.4462 (AISI 329A)	EN 1.4404 (AISI 316L) - EN 1.4462 (AISI 329A)		
32-1	Adjuster Key	EN 1.4301 (AISI 304)			
43-2	Shaft sleeve (intermediate)	EN 1.4301 (AISI 304)	EN 1.4404 (AISI 316L)		
43-3	Shaft sleeve (bearing)	EN 1.4301 (AISI 304)	EN 1.4404 (AISI 316L)		
43-4	Shaft sleeve (adjustment)	EN 1.4404 (AISI 316L)			
43-5	Shaft sleeve (last stage)	EN 1.4301 (AISI 304)	EN 1.4404 (AISI 316L)		
44-1	Shaft sleeve bearing	Tungsten carbide			
45	Flange holder	EN 1.4301 (AISI 304)			
46	Ring (mechanical seal)	EN 1.4404 (AISI 316L)			
47	Ring holder	EN 1.4301 (AISI 304)	EN 1.4404 (AISI 316L)		
48	Impeller nut	EN 1.4301 (AISI 304) with inox insert	EN 1.4401 (AISI 316) with inox insert	M8	
52-1	Sleeve bearing	Tungsten carbide			
75	O-Ring (priming plug)	EPDM / FPM		Ø12.37x2.62	OR 3050
75-1	O-Ring (drainage plug)	EPDM / FPM			
107	Liner ring	EN 1.4301 (AISI 304) + PPS	EN 1.4404 (AISI 316L) + PPS		
111	Mechanical seal	see pages 6-7			
111-3	Mechanical seal seat	EN 1.4308 (ASTM CF8)	EN 1.4408 (ASTM CF8M)		
111-4	Seal holder	EN 1.4301 (AISI 304)			
111-5	Mechanical seal cartridge sleeve	EN 1.4301 (AISI 304)	EN 1.4404 (AISI 316L)		
115-1	O-Ring (outer casing)	EPDM / FPM		Ø129.54x5.34	OR 6510
115-3	O-Ring	EPDM / FPM			
115-4	O-Ring (cartridge sleeve)	EPDM / FPM		Ø11.91x2.62	OR 115
115-5	O-Ring (seal flange)	EPDM / FPM		Ø32.99x2.62	OR 3131
120-1	Tie-rod	EN 1.4057 (AISI 431)		M10	
120-3	Screw (seal flange)	A2-70		M4x10	ISO 4762
120-6	Screw (pump coupling)	up to 4.0 kW above 5.5 kW	Galvanized steel	M6x25 M8x20	ISO 4762 ISO 4762
120-11	Screw (counterflange)	A2-70			
120-13	Screw for motor	MEC 71-80 MEC 90-100-112 MEC 132	Galvanized steel 8.8 strength class ISO 898/1	M6x20 M8x20 M12x40	ISO 4017 ISO 4017 ISO 4017
128-1	Nut (tie rod)	A2-70		M10	ISO 4032
128-3	Nut (motor)	MEC 132	Galvanized steel	M12	ISO 4032
128-5	Nut (tie rod)	A2-70		M10	UNI 7474
128-6	Nut (aluminium coupling)	MEC 71-80-90-100-112	Galvanized steel	M6	ISO 4032
130-1	Set screw	EN 1.4301 (AISI 304)		M5x8	ISO 4026
130-2	Screw for coupling guard	A2-70		M5x6	UNI 7687
131-1	Pin for shaft	Carbon Steel		Ø4x32	ISO 2338
135-1	Washer (tie rod)	EN 1.4301 (AISI 304)		Ø10.5x21x2	ISO 7089
135-6	Washer (aluminium coupling)	up to 4.0 kW	Carbon Steel	Ø6	
137-1	Impeller spacer	EN 1.4301 (AISI 304)	EN 1.4404 (AISI 316L)		
140	Coupling	up to 4.0 kW above 5.5 kW	Die cast Aluminium EN AB-AISI11Cu2 (Fe) Cast Iron		
160	Base	Die cast Aluminium EN AB-AISI11Cu2 (Fe)			
162	Motor bracket	Cast iron EN-GJL-250			
212	Priming plug	EN 1.4301 (AISI 304)	EN 1.4404 (AISI 316L)	G 3/8	
212-1	Drainage plug	EN 1.4301 (AISI 304)	EN 1.4404 (AISI 316L)	G 3/8	
212-2	Venting plug	EN 1.4404 (AISI 316L)			
219	Counter flange	flange type: N flange type: LF-F-V-C	EN 1.4308 (ASTM CF8) EN 1.4301 (AISI 304)	EN 1.4408 (ASTM CF8M) EN 1.4404 (AISI 316L)	
245	Coupling guard	EN 1.4301 (AISI 304)			
273-1	Washer (drainage plug)	EN 1.4301 (AISI 304)	EN 1.4404 (AISI 316L)		
615	Flange	Nodular Cast Iron			

QUANTITY FOR MODEL EVMS(L)5

Pump Type	N°																														
	4	5-1	52	53	54	6	7	21	31**	32-1	432	433	434	435	44-1	45**	46	47	48	52-1	75	75-1	107	111	111-3	1114	111-5	115-1	115-3*	1154	1155
EVMS(L)5 2/0.37	1	1	/	1	1	1	1	2	1	1	1	1	1	/	1	4	2	1	1	1	1	2	2	1	1	1	1	2	2	1	1
EVMS(L)5 3/0.55	1	1	1	1	1	1	1	3	1	1	3	1	2	1	1	4	2	1	1	1	1	2	3	1	1	1	1	2	2	1	1
EVMS(L)5 4/0.75	1	1	2	1	1	1	1	4	1	1	5	1	1	/	1	4	2	1	1	1	1	2	4	1	1	1	1	2	2	1	1
EVMS(L)5 5/1.1	1	1	3	1	1	1	1	5	1	1	7	1	1	/	1	4	2	1	1	1	1	2	5	1	1	1	1	2	2	1	1
EVMS(L)5 6/1.5	1	1	4	1	1	1	1	6	1	1	9	1	2	1	1	4	2	1	1	1	1	2	6	1	1	1	1	2	2	1	1
EVMS(L)5 7/1.5	1	1	5	1	1	1	1	7	1	1	11	1	1	/	1	4	2	1	1	1	1	2	7	1	1	1	1	2	2	1	1
EVMS(L)5 8/2.2	1	1	6	1	1	1	1	8	1	1	13	1	1	/	1	4	2	1	1	1	1	2	8	1	1	1	1	2	2	1	1
EVMS(L)5 9/2.2	1	1	7	1	1	1	1	9	1	1	15	1	1	/	1	4	2	1	1	1	1	2	9	1	1	1	1	2	2	1	1
EVMS(L)5 10/2.2	1	1	8	1	1	1	1	10	1	1	17	1	1	/	1	4	2	1	1	1	1	2	10	1	1	1	1	2	2	1	1
EVMS(L)5 11/2.2	1	1	8	2	1	1	1	11	1	1	17	2	2	/	2	4	2	1	1	2	1	2	11	1	1	1	1	2	2	1	1
EVMS(L)5 12/3.0	1	1	9	2	1	1	1	12	1	1	19	2	2	/	2	4	2	1	1	2	1	2	12	1	1	1	1	2	2	1	1
EVMS(L)5 13/3.0	1	1	10	2	1	1	1	13	1	1	21	2	2	/	2	4	2	1	1	2	1	2	13	1	1	1	1	2	2	1	1
EVMS(L)5 14/3.0	1	1	11	2	1	1	1	14	1	1	23	2	2	/	2	4	2	1	1	2	1	2	14	1	1	1	1	2	2	1	1
EVMS(L)5 15/3.0	1	1	12	2	1	1	1	15	1	1	25	2	3	1	2	4	2	1	1	2	1	2	15	1	1	1	1	2	2	1	1
EVMS(L)5 17/4.0	1	1	14	2	1	1	1	17	1	1	29	2	2	/	2	4	2	1	1	2	1	2	17	1	1	1	1	2	2	1	1
EVMS(L)5 19/4.0	1	1	16	2	1	1	1	19	1	1	33	2	2	/	2	4	2	1	1	2	1	2	19	1	1	1	1	2	/	1	1
EVMS(L)5 20/4.0	1	1	17	2	1	1	1	20	1	1	35	2	2	/	2	4	2	1	1	2	1	2	20	1	1	1	1	2	/	1	1
EVMS(L)5 23/5.5	1	1	20	2	1	1	1	23	1	1	41	2	2	/	2	4	2	1	1	2	1	2	23	1	1	1	1	2	/	1	1
EVMS(L)5 25/5.5	1	1	22	2	1	1	1	25	1	1	45	2	2	/	2	4	2	1	1	2	1	2	25	1	1	1	1	2	/	1	1
EVMS(L)5 27/5.5	1	1	23	3	1	1	1	27	1	1	47	3	3	/	3	4	2	1	1	3	1	2	27	1	1	1	1	2	/	1	1

Pump Type	N°																								
	120-1	120-3	120-6	120-11*	120-13	128-1	128-3	128-5	128-6	130-1	130-2	131-1	135-1	135-6	137-1	140	160	162	212	212-1	212-2	219*	245	273-1	615**
EVMS(L)5 2/0.37	4	4	4	4	4	4	/	4	4	3	4	1	4	4	1	2	1	1	1	2	1	2	2	2	2
EVMS(L)5 3/0.55	4	4	4	4	4	4	/	4	4	3	4	1	4	4	1	2	1	1	1	2	1	2	2	2	2
EVMS(L)5 4/0.75	4	4	4	4	4	4	/	4	4	3	4	1	4	4	1	2	1	1	1	2	1	2	2	2	2
EVMS(L)5 5/1.1	4	4	4	4	4	4	/	4	4	3	4	1	4	4	1	2	1	1	1	2	1	2	2	2	2
EVMS(L)5 6/1.5	4	4	4	4	4	4	/	4	4	3	4	1	4	4	1	2	1	1	1	2	1	2	2	2	2
EVMS(L)5 7/1.5	4	4	4	4	4	4	/	4	4	3	4	1	4	4	1	2	1	1	1	2	1	2	2	2	2
EVMS(L)5 8/2.2	4	4	4	4	4	4	/	4	4	3	4	1	4	4	1	2	1	1	1	2	1	2	2	2	2
EVMS(L)5 9/2.2	4	4	4	4	4	4	/	4	4	3	4	1	4	4	1	2	1	1	1	2	1	2	2	2	2
EVMS(L)5 10/2.2	4	4	4	4	4	4	/	4	4	3	4	1	4	4	1	2	1	1	1	2	1	2	2	2	2
EVMS(L)5 11/2.2	4	4	4	4	4	4	/	4	4	3	4	1	4	4	1	2	1	1	1	2	1	2	2	2	2
EVMS(L)5 12/3.0	4	4	4	4	4	4	/	4	4	3	4	1	4	4	1	2	1	1	1	2	1	2	2	2	2
EVMS(L)5 13/3.0	4	4	4	4	4	4	/	4	4	3	4	1	4	4	1	2	1	1	1	2	1	2	2	2	2
EVMS(L)5 14/3.0	4	4	4	4	4	4	/	4	4	3	4	1	4	4	1	2	1	1	1	2	1	2	2	2	2
EVMS(L)5 15/3.0	4	4	4	4	4	4	/	4	4	3	4	1	4	4	1	2	1	1	1	2	1	2	2	2	2
EVMS(L)5 17/4.0	4	4	4	4	4	4	/	4	4	3	4	1	4	4	1	2	1	1	1	2	1	2	2	2	2
EVMS(L)5 19/4.0	4	4	4	/	4	4	/	4	4	3	4	1	4	4	1	2	1	1	1	2	1	/	2	2	2
EVMS(L)5 20/4.0	4	4	4	/	4	4	/	4	4	3	4	1	4	4	1	2	1	1	1	2	1	/	2	2	2
EVMS(L)5 23/5.5	4	4	4	/	4	4	4	/	3	4	1	4	/	1	2	1	1	1	2	1	/	2	2	2	2
EVMS(L)5 25/5.5	4	4	4	/	4	4	4	/	3	4	1	4	/	1	2	1	1	1	2	1	/	2	2	2	2
EVMS(L)5 27/5.5	4	4	4	/	4	4	4	/	3	4	1	4	/	1	2	1	1	1	2	1	/	2	2	2	2

* only for Oval flange (N)

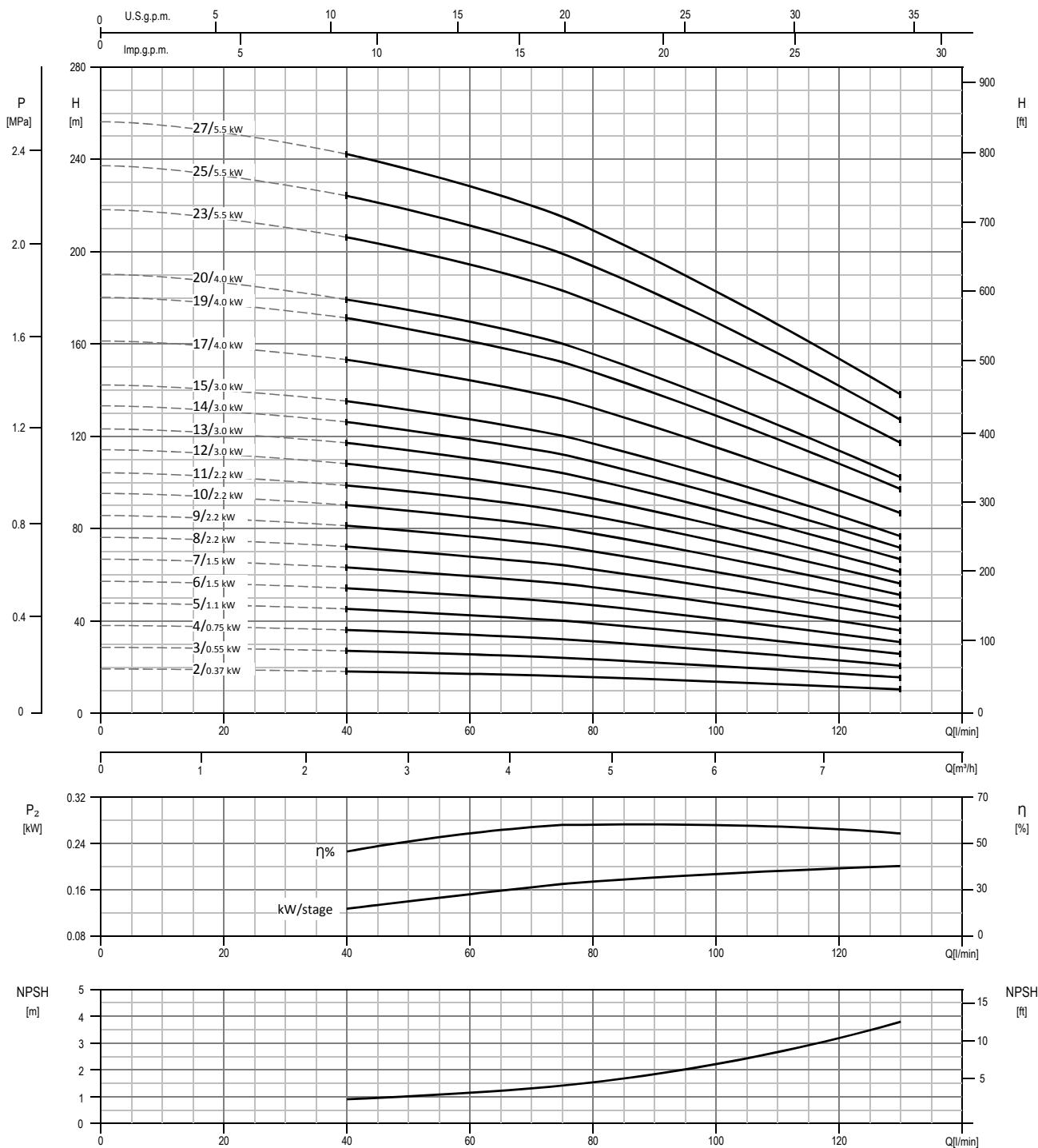
** only for Loose round flange (LF)

** shaft in EN 1.4462 (AISI 329A)

128-3: only for motor above 5.5 kW (see drawing pag.54)

PERFORMANCE CURVE
EVMSG5

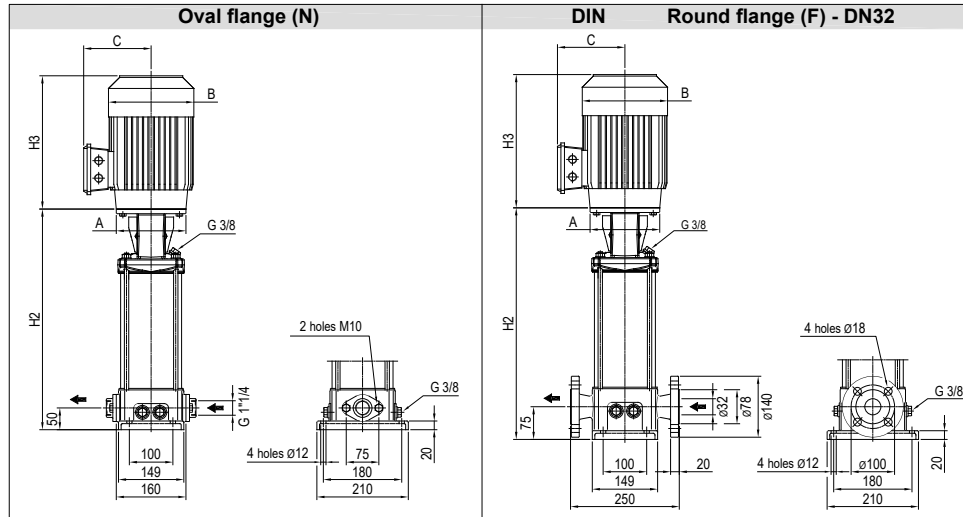
EVMSG5



Test standard: ISO 9906:2012 - Grade 3B

TECHNICAL DATA EVMSG5

Dimensional sketch

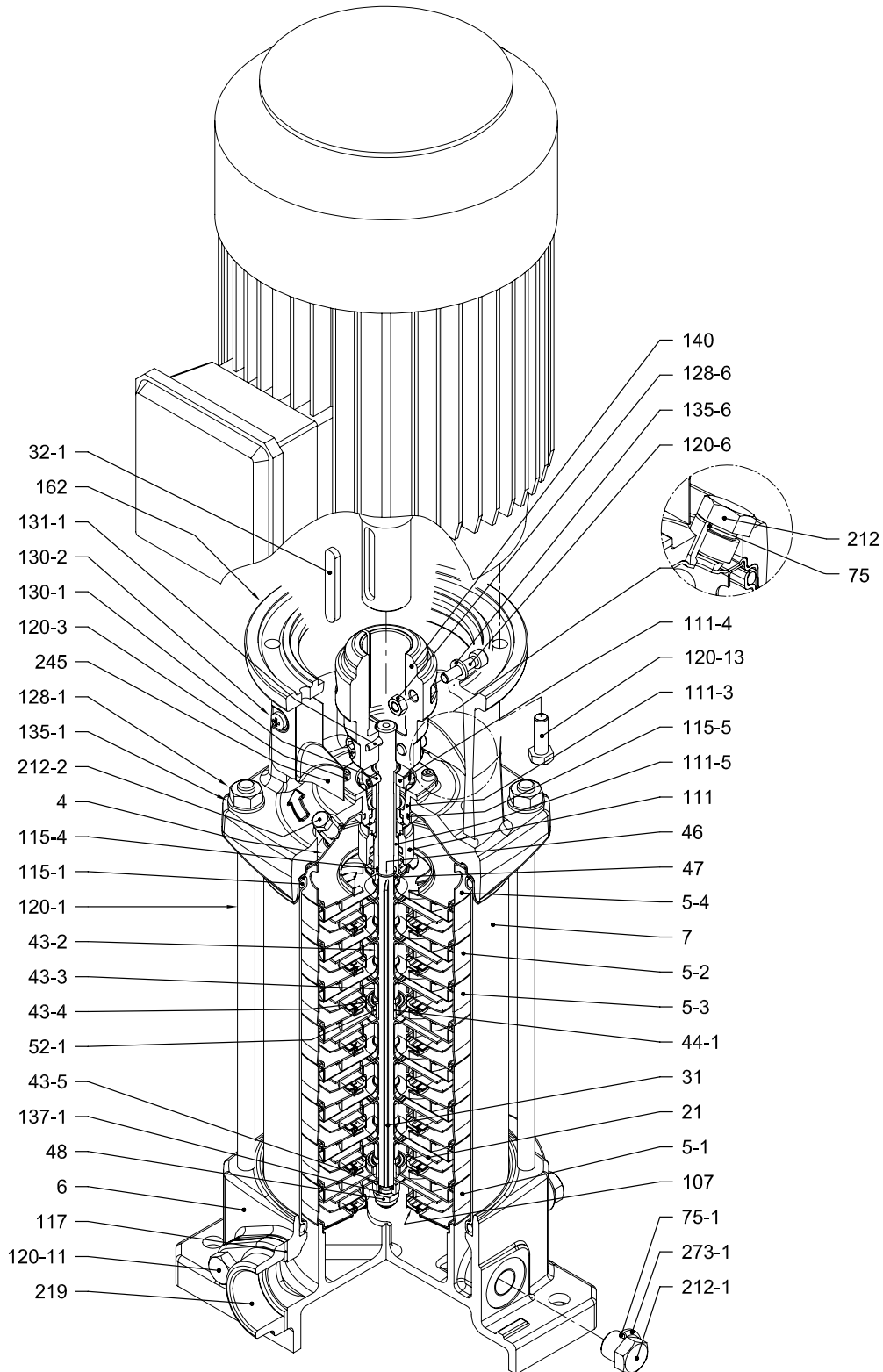


Dimensions [mm] and Weights [Kg]

Pump Type	Pmax [MPa]	kW	Size	Motor				Oval flange (N)				Round flange (F)								
				A	1~		3~		H2	H2+H3		Weight Pump	Weight Pump + Motor		H2	H2+H3		Weight Pump	Weight Pump + Motor	
					Ø	B	C	B		C	1~		3~	1~		3~	1~		3~	1~
EVMSG5 2/0.37	1.6	0.37	71	105	139	124	141	119	264	480	466	13	21.5	19.5	289	505	491	17.5	26.0	24.0
EVMSG5 3/0.55	1.6	0.55	71	105	139	124	141	119	292	508	494	13.5	22.1	20.5	317	533	519	18	26.6	25.0
EVMSG5 4/0.75	1.6	0.75	80	120	157	150	141	102	330	562	563	14.5	26.3	23.0	355	587	588	19	30.8	27.5
EVMSG5 5/1.1	1.6	1.1	80	120	157	149	141	102	358	590	602	15	27.0	25.0	383	615	627	19.5	31.5	29.5
EVMSG5 6/1.5	1.6	1.5	90	140	172	140	160	119	396	674	687	15.5	38.0	29.0	421	699	712	20.1	38.0	33.6
EVMSG5 7/1.5	1.6	1.5	90	140	172	140	160	119	424	702	715	16	38.0	29.5	449	727	740	20.5	38.0	34.0
EVMSG5 8/2.2	1.6	2.2	90	140	172	140	160	119	452	768	743	16.6	45.0	31.6	477	793	768	21.1	45.0	36.1
EVMSG5 9/2.2	1.6	2.2	90	140	172	140	160	119	480	796	771	17.1	45.0	32.1	505	821	796	21.6	45.0	36.6
EVMSG5 10/2.2	1.6	2.2	90	140	172	140	160	119	508	824	799	17.6	46.0	32.6	533	849	824	22.1	46.0	37.1
EVMSG5 11/2.2	1.6	2.2	90	140	172	140	160	119	536	852	827	18.4	46.0	33.4	561	877	852	22.9	46.0	37.9
EVMSG5 12/3.0	1.6	3.0	100	160	-	-	176	123	574	-	916	19.6	-	41.6	599	-	941	24.1	-	46.1
EVMSG5 13/3.0	1.6	3.0	100	160	-	-	176	123	602	-	944	20.2	-	42.2	627	-	969	24.7	-	46.7
EVMSG5 14/3.0	1.6	3.0	100	160	-	-	176	123	630	-	972	20.8	-	42.8	655	-	997	25.3	-	47.3
EVMSG5 15/3.0	1.6	3.0	100	160	-	-	176	123	658	-	1000	21.8	-	43.8	683	-	1025	26.3	-	48.3
EVMSG5 17/4.0	1.6	3.0	112	160	-	-	193	138	714	-	1078	22.5	-	51.0	739	-	1103	27	-	55.5
EVMSG5 19/4.0	2.5	4.0	112	160	-	-	193	138	-	-	-	-	-	-	795	-	1159	28.1	-	56.6
EVMSG5 20/4.0	2.5	4.0	112	160	-	-	193	138	-	-	-	-	-	-	823	-	1187	30.3	-	58.8
EVMSG5 23/5.5	2.5	4.0	132	300	-	-	220	152	-	-	-	-	-	-	1001	-	1400	37	-	76.0
EVMSG5 25/5.5	2.5	5.5	132	300	-	-	220	152	-	-	-	-	-	-	1057	-	1456	38	-	77.0
EVMSG5 27/5.5	2.5	5.5	132	300	-	-	220	152	-	-	-	-	-	-	1113	-	1512	39.6	-	78.6

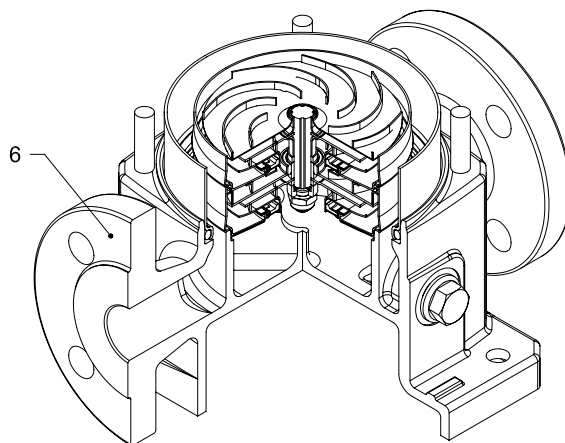
1.6 MPa=16 bar; 2.5 MPa=25 bar
- not available model

SECTIONAL VIEW
EVMSG5



with Oval flange (N)

PIPE CONNECTION EVMSG5



with Round flange (F)

SECTIONAL TABLE
EVMSG5

N°	PART NAME	MATERIAL EVMSG	DIMENSIONS	STANDARD
4	Casing cover	EN 1.4301 (AISI 304)		
5-1	Suction casing	EN 1.4301 (AISI 304)		
5-2	Intermediate casing	EN 1.4301 (AISI 304)		
5-3	Intermediate casing with bearing	EN 1.4301 (AISI 304)		
5-4	Discharge casing	EN 1.4301 (AISI 304)		
6	Bottom casing	Cast Iron EN-GJL-250		
7	Outer casing	EN 1.4301 (AISI 304)		
21	Impeller	EN 1.4301 (AISI 304)		
31	Shaft	EN 1.4301 (AISI 304) - EN 1.4462 (AISI 329A)		
32-1	Adjuster key	EN 1.4301 (AISI 304)		
43-2	Shaft sleeve (intermediate)	EN 1.4301 (AISI 304)		
43-3	Shaft sleeve (bearing)	EN 1.4301 (AISI 304)		
43-4	Shaft sleeve (adjustment)	EN 1.4404 (AISI 316L)		
43-5	Shaft sleeve (last stage)	EN 1.4301 (AISI 304)		
44-1	Shaft sleeve bearing	Tungsten carbide		
46	Ring (mechanical seal)	EN 1.4404 (AISI 316L)		
47	Ring holder	EN 1.4404 (AISI 316L)		
48	Impeller nut	EN 1.4301 (AISI 304) with inox insert	M8	
52-1	Sleeve bearing	Tungsten carbide		
75	O-Ring (priming plug)	EPDM / FPM	Ø12.37x2.62	OR 3050
75-1	O-Ring (drainage plug)	EPDM / FPM		
107	Liner ring	EN 1.4301 (AISI 304) + PPS		
111	Mechanical seal	see pages 6-7		
111-3	Mechanical seal seat	EN 1.4308 (ASTM CF8)		
111-4	Seal holder	EN 1.4301 (AISI 304)		
111-5	Mechanical seal cartridge sleeve	EN 1.4301 (AISI 304)		
115-1	O-Ring (outer casing)	EPDM / FPM	Ø129.54x5.34	OR 6510
115-4	O-Ring (cartridge sleeve)	EPDM / FPM	Ø11.91x2.62	OR 115
115-5	O-Ring (seal flange)	EPDM / FPM	Ø32.99x2.62	OR 3131
117	Flange gasket	EPDM / FPM		
120-1	Tie-rod	EN 1.4057 (AISI 431)	M10	
120-3	Screw (seal flange)	A2-70	M4x10	ISO 4762
120-6	Screw (pump coupling)	Galvanized steel	up to 4.0 kW above 5.5 kW	M6x25 ISO 4762 M8x20 ISO 4762
120-11	Screw (counterflange)		A2-70	
120-13	Screw for motor	Galvanized steel 8.8 strength class ISO 898/1	MEC 71-80 MEC 90-100-112 MEC 132	M6x20 ISO 4017 M8x20 ISO 4017 M12x40 ISO 4017
128-1	Nut (tie rod)		A2-70	M10 ISO 4032
128-3	Nut (motor)		Galvanized steel	M12 ISO 4032
128-6	Nut (aluminium coupling)	Galvanized steel	MEC 71-80-90-100-112 M6 ISO 4032	
130-1	Set screw	EN 1.4301 (AISI 304)	M5x8 ISO 4026	
130-2	Screw for coupling guard	A2-70	M5x6 UNI 7687	
131-1	Pin for shaft	Carbon Steel	Ø4x32 ISO 2338	
135-1	Washer (tie rod)	EN 1.4301 (AISI 304)	Ø10.5x21x2 ISO 7089	
135-6	Washer (aluminium coupling)	Carbon Steel	up to 4.0 kW Ø6	
137-1	Impeller spacer	EN 1.4301 (AISI 304)		
140	Coupling	Die cast Aluminium EN AB-AISI11Cu2 (Fe) Cast Iron	up to 4.0 kW above 5.5 kW	
162	Motor bracket	Cast iron EN-GJL-250		
212	Priming plug	EN 1.4301 (AISI 304)	G 3/8	
212-1	Drainage plug	EN 1.4301 (AISI 304)	G 3/8	
212-2	Venting plug	EN 1.4404 (AISI 316L)		
219	Counter flange	Galvanized steel Cast Iron EN-GJL-250	flange type: N flange type: F	
245	Coupling guard	EN 1.4301 (AISI 304)		
273-1	Washer (drainage plug)	EN 1.4301 (AISI 304)		

QUANTITY FOR MODEL EVMSG5

Pump Type	N°																													
	4	5-1	52	53	54	6	7	21	31**	32-1	43-2	43-3	43-4	43-5	44-1	46	47	48	52-1	75	75-1	107	111	111-3	111-4	111-5	115-1	115-4	115-5	
EVMSG5 2/0.37	1	1	/	1	1	1	1	2	1	1	1	1	/	1	2	1	1	1	1	1	4	2	1	1	1	1	2	1	1	
EVMSG5 3/0.55	1	1	1	1	1	1	1	3	1	1	3	1	2	1	1	2	1	1	1	1	1	4	3	1	1	1	1	2	1	1
EVMSG5 4/0.75	1	1	2	1	1	1	1	4	1	1	5	1	1	/	1	2	1	1	1	1	4	4	1	1	1	1	2	1	1	
EVMSG5 5/1.1	1	1	3	1	1	1	1	5	1	1	7	1	1	/	1	2	1	1	1	1	4	5	1	1	1	1	2	1	1	
EVMSG5 6/1.5	1	1	4	1	1	1	1	6	1	1	9	1	2	1	1	2	1	1	1	1	4	6	1	1	1	1	2	1	1	
EVMSG5 7/1.5	1	1	5	1	1	1	1	7	1	1	11	1	1	/	1	2	1	1	1	1	4	7	1	1	1	1	2	1	1	
EVMSG5 8/2.2	1	1	6	1	1	1	1	8	1	1	13	1	1	/	1	2	1	1	1	1	4	8	1	1	1	1	2	1	1	
EVMSG5 9/2.2	1	1	7	1	1	1	1	9	1	1	15	1	1	1	1	2	1	1	1	1	4	9	1	1	1	1	2	1	1	
EVMSG5 10/2.2	1	1	8	1	1	1	1	10	1	1	17	1	1	/	1	2	1	1	1	1	4	10	1	1	1	1	2	1	1	
EVMSG5 11/2.2	1	1	8	2	1	1	1	11	1	1	17	2	2	/	2	2	1	1	2	1	4	11	1	1	1	1	2	1	1	
EVMSG5 12/3.0	1	1	9	2	1	1	1	12	1	1	19	2	2	1	2	2	1	1	2	1	4	12	1	1	1	1	2	1	1	
EVMSG5 13/3.0	1	1	10	2	1	1	1	13	1	1	21	2	2	/	2	2	1	1	2	1	4	13	1	1	1	1	2	1	1	
EVMSG5 14/3.0	1	1	11	2	1	1	1	14	1	1	23	2	2	/	2	2	1	1	2	1	4	14	1	1	1	1	2	1	1	
EVMSG5 15/3.0	1	1	12	2	1	1	1	15	1	1	25	2	3	1	2	2	1	1	2	1	4	15	1	1	1	1	2	1	1	
EVMSG5 17/4.0	1	1	14	2	1	1	1	17	1	1	29	2	2	/	2	2	1	1	2	1	4	17	1	1	1	1	2	1	1	
EVMSG5 19/4.0	1	1	16	2	1	1	1	19	1	1	33	2	2	/	2	2	1	1	2	1	4	19	1	1	1	1	2	1	1	
EVMSG5 20/4.0	1	1	17	2	1	1	1	20	1	1	35	2	2	/	2	2	1	1	2	1	4	20	1	1	1	1	2	1	1	
EVMSG5 23/5.5	1	1	20	2	1	1	1	23	1	1	41	2	2	/	2	2	1	1	2	1	4	23	1	1	1	1	2	1	1	
EVMSG5 25/5.5	1	1	22	2	1	1	1	25	1	1	45	2	2	/	2	2	1	1	2	1	4	25	1	1	1	1	2	1	1	
EVMSG5 27/5.5	1	1	23	3	1	1	1	27	1	1	47	3	3	/	3	2	1	1	3	1	4	27	1	1	1	1	2	1	1	

Pump Type	N°																						
	117*	120-1	120-3	120-6	120-11*	120-13	128-1	128-3	128-6	130-1	130-2	131-1	135-1	135-6	137-1	140	162	212	212-1	212-2	219*	245	273-1
EVMSG5 2/0.37	2	4	4	4	4	4	4	/	4	3	4	1	4	4	1	2	1	1	4	1	2	2	4
EVMSG5 3/0.55	2	4	4	4	4	4	4	/	4	3	4	1	4	4	1	2	1	1	4	1	2	2	4
EVMSG5 4/0.75	2	4	4	4	4	4	4	/	4	3	4	1	4	4	1	2	1	1	4	1	2	2	4
EVMSG5 5/1.1	2	4	4	4	4	4	4	/	4	3	4	1	4	4	1	2	1	1	4	1	2	2	4
EVMSG5 6/1.5	2	4	4	4	4	4	4	/	4	3	4	1	4	4	1	2	1	1	4	1	2	2	4
EVMSG5 7/1.5	2	4	4	4	4	4	4	/	4	3	4	1	4	4	1	2	1	1	4	1	2	2	4
EVMSG5 8/2.2	2	4	4	4	4	4	4	/	4	3	4	1	4	4	1	2	1	1	4	1	2	2	4
EVMSG5 9/2.2	2	4	4	4	4	4	4	/	4	3	4	1	4	4	1	2	1	1	4	1	2	2	4
EVMSG5 10/2.2	2	4	4	4	4	4	4	/	4	3	4	1	4	4	1	2	1	1	4	1	2	2	4
EVMSG5 11/2.2	2	4	4	4	4	4	4	/	4	3	4	1	4	4	1	2	1	1	4	1	2	2	4
EVMSG5 12/3.0	2	4	4	4	4	4	4	/	4	3	4	1	4	4	1	2	1	1	4	1	2	2	4
EVMSG5 13/3.0	2	4	4	4	4	4	4	/	4	3	4	1	4	4	1	2	1	1	4	1	2	2	4
EVMSG5 14/3.0	2	4	4	4	4	4	4	/	4	3	4	1	4	4	1	2	1	1	4	1	2	2	4
EVMSG5 15/3.0	2	4	4	4	4	4	4	/	4	3	4	1	4	4	1	2	1	1	4	1	2	2	4
EVMSG5 17/4.0	2	4	4	4	4	4	4	/	4	3	4	1	4	4	1	2	1	1	4	1	2	2	4
EVMSG5 19/4.0	/	4	4	4	/	4	4	/	4	3	4	1	4	4	1	2	1	1	4	1	/	2	4
EVMSG5 20/4.0	/	4	4	4	/	4	4	/	4	3	4	1	4	4	1	2	1	1	4	1	/	2	4
EVMSG5 23/5.5	/	4	4	4	/	4	4	/	4	3	4	1	4	/	1	2	1	1	4	1	/	2	4
EVMSG5 25/5.5	/	4	4	4	/	4	4	/	3	4	1	4	/	1	2	1	1	4	1	/	2	4	
EVMSG5 27/5.5	/	4	4	4	/	4	4	/	3	4	1	4	/	1	2	1	1	4	1	/	2	4	

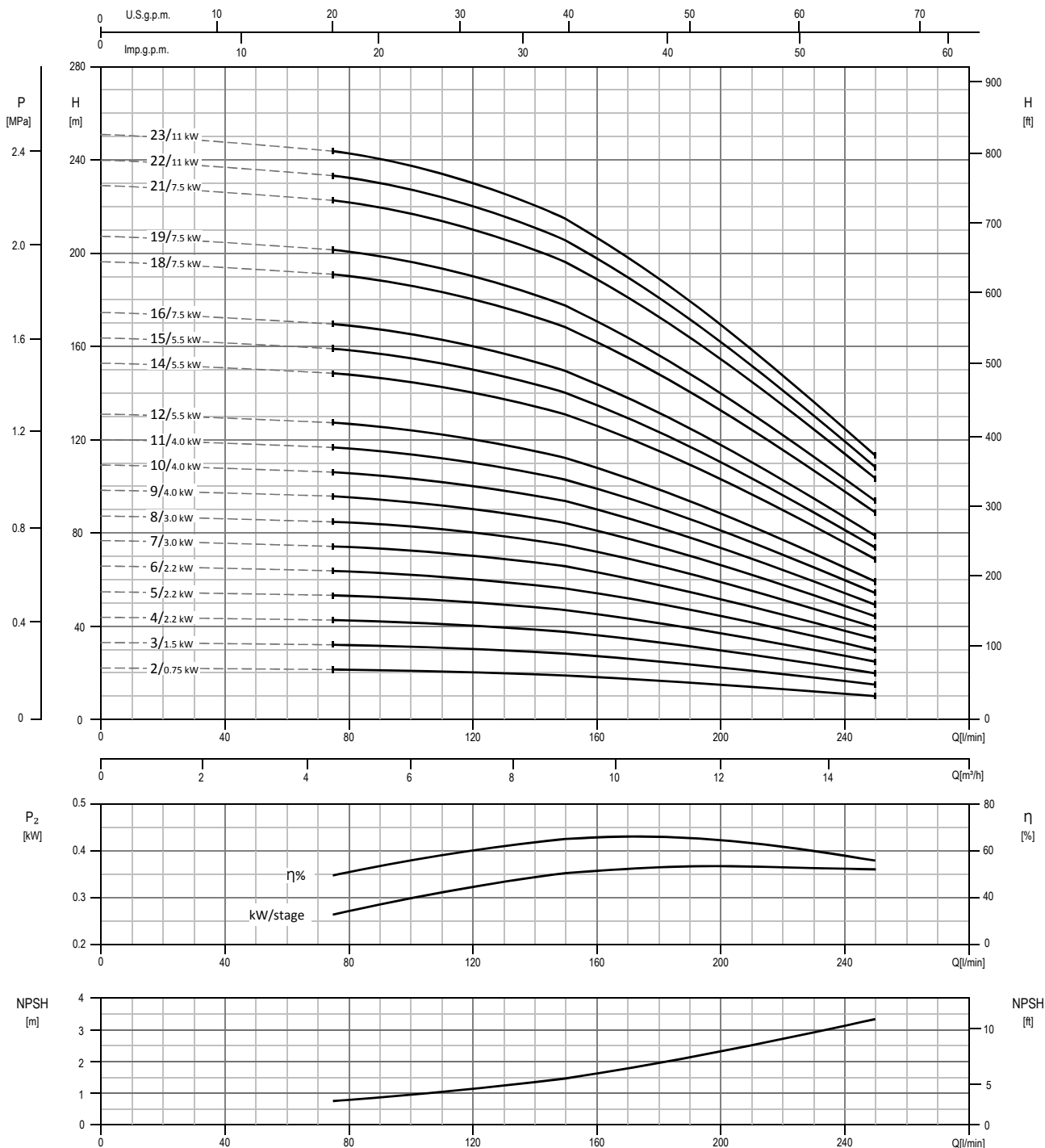
* only for Oval flange (N)

** shaft in EN 1.4462 (AISI 329A)

128-3: only for motor above 5.5 kW (see drawing pag.54)

PERFORMANCE CURVE
EVMS(L)10

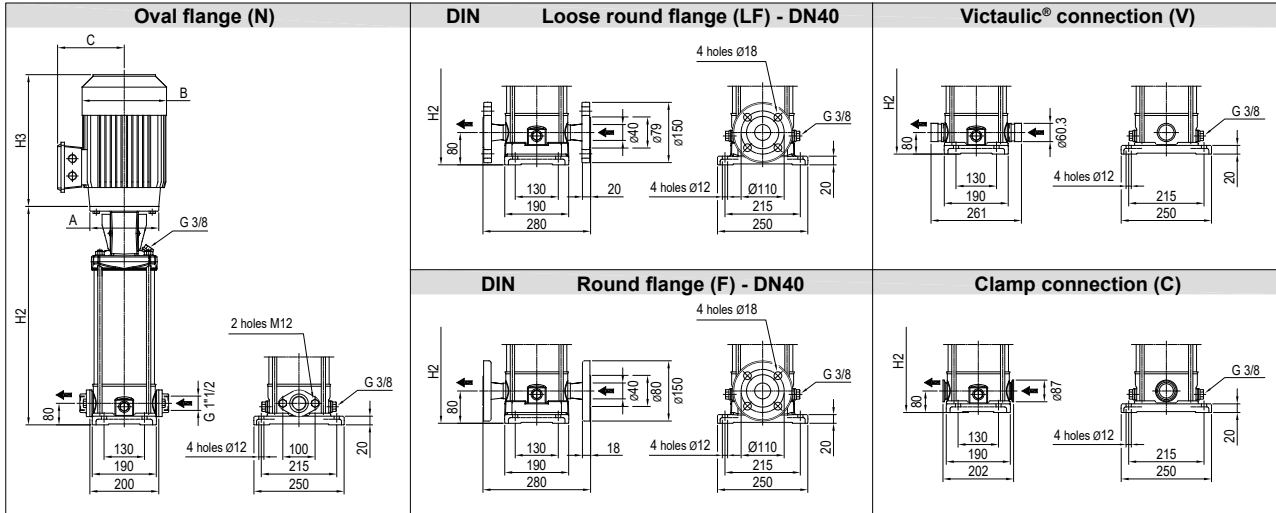
EVMS(L)10



Test standard: ISO 9906:2012 - Grade 3B

TECHNICAL DATA EVMS(L)10

Dimensional sketch

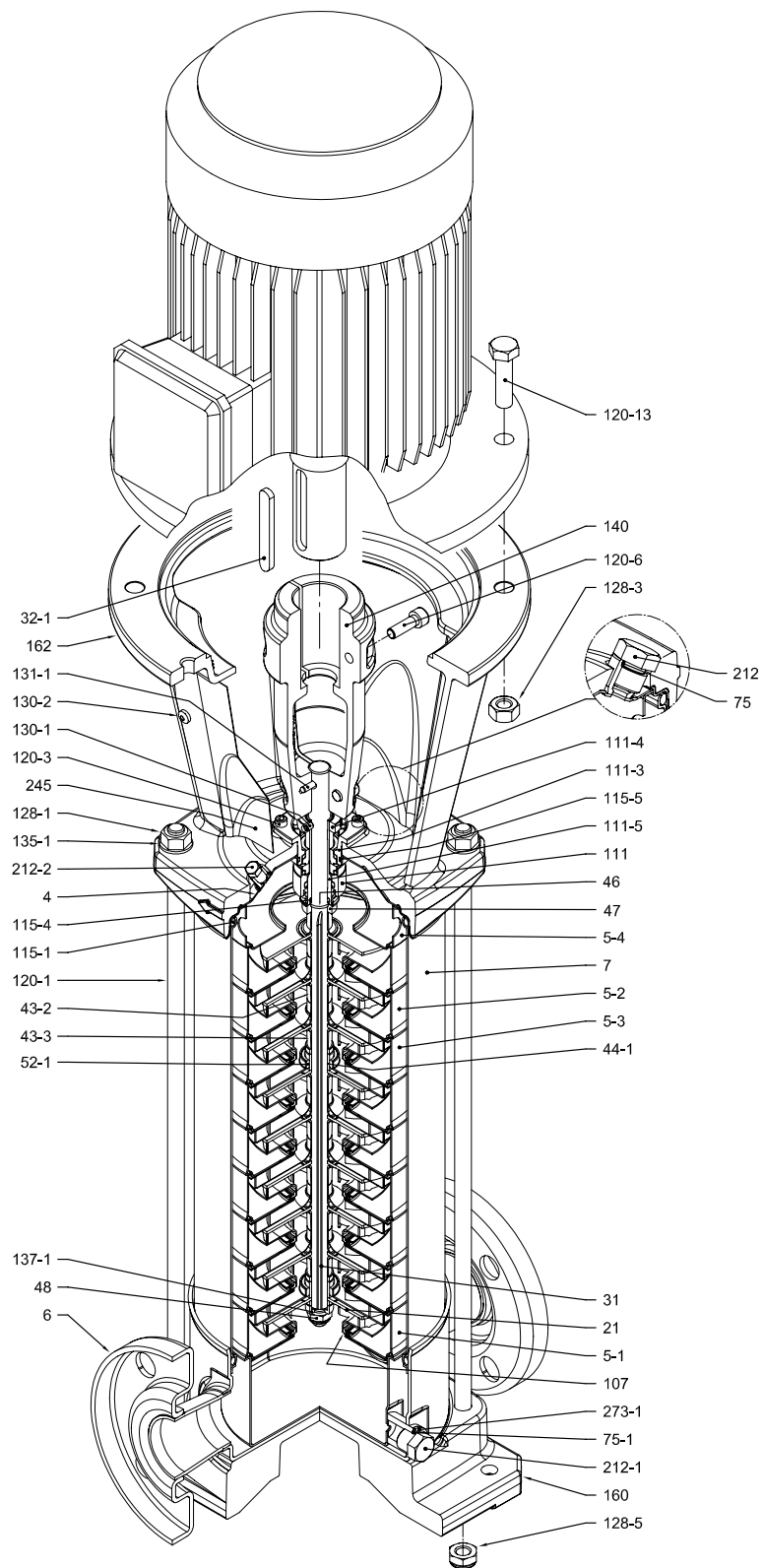


Dimensions [mm] and Weights [Kg]

Pump Type	P _{max} [MPa]	Motor				Oval flange (N)				Loose round flange (LF) Round flange (F)				Victaulic® connection (V) Clamp connection (C)												
		kW	Size	1~		3~		H2	H2+H3		Weight Pump	Weight Pump + Motor		H2	H2+H3		Weight Pump	Weight Pump + Motor								
				A	B	C	B		C	1~		3~	1~		3~	1~		3~	1~	3~						
EVMS(L)10 2/0.75	1.6	0.75	80	120	157	150	141	102	343	572	576	17.6	29.4	26.1	343	575	576	17.5	29.3	26.0	343	572	576	16.5	28.3	25.0
EVMS(L)10 3/1.5	1.6	1.5	90	140	172	140	160	119	383	661	674	18.5	36.0	32.0	383	661	674	18.5	36.0	32.0	383	661	674	17.4	35.0	30.9
EVMS(L)10 4/2.2	1.6	2.2	90	140	172	140	160	119	413	691	704	19.3	50.0	34.3	413	729	704	19.3	50.0	34.3	413	691	704	18.2	50.0	33.2
EVMS(L)10 5/2.2	1.6	2.2	90	140	172	140	160	119	443	721	734	20.2	50.0	35.2	443	759	734	20.1	50.0	35.1	443	721	734	19.1	50.0	34.1
EVMS(L)10 6/2.2	1.6	2.2	90	140	172	140	160	119	473	751	764	21	51.0	36.0	473	789	764	21	51.0	36.0	473	751	764	19.9	51.0	34.9
EVMS(L)10 7/3.0	1.6	3.0	100	160	-	-	176	123	513	-	855	22	-	44.0	513	-	855	21.9	-	43.9	513	-	855	20.9	-	42.9
EVMS(L)10 8/3.0	1.6	3.0	100	160	-	-	176	123	543	-	885	22.8	-	44.8	543	-	885	22.8	-	44.8	543	-	885	21.7	-	43.7
EVMS(L)10 9/4.0	1.6	4.0	112	160	-	-	193	138	573	-	937	23.7	-	52.2	573	-	937	23.6	-	52.1	573	-	937	22.6	-	51.1
EVMS(L)10 10/4.0	1.6	4.0	112	160	-	-	193	138	603	-	967	24.5	-	53.0	603	-	967	24.5	-	53.0	603	-	967	23.4	-	51.9
EVMS(L)10 11/4.0	1.6	4.0	112	160	-	-	193	138	633	-	997	26.1	-	54.6	633	-	997	26.1	-	54.6	633	-	997	25	-	53.5
EVMS(L)10 12/5.5	1.6	5.5	132	300	-	-	220	152	761	-	1160	35.9	-	74.9	761	-	1160	35.9	-	74.9	761	-	1160	34.8	-	73.8
EVMS(L)10 14/5.5	1.6	5.5	132	300	-	-	220	152	821	-	1220	37.8	-	76.8	821	-	1220	37.7	-	76.7	821	-	1220	36.7	-	75.7
EVMS(L)10 15/5.5	1.6	5.5	132	300	-	-	220	152	851	-	1250	38.7	-	77.7	851	-	1250	38.6	-	77.6	851	-	1250	37.6	-	76.6
EVMS(L)10 16/7.5	2.5	7.5	132	300	-	-	220	152	-	-	-	-	-	-	881	-	1300	39.6	-	85.6	881	-	1300	38.5	-	84.5
EVMS(L)10 18/7.5	2.5	7.5	132	300	-	-	220	152	-	-	-	-	-	-	941	-	1360	41.4	-	87.4	941	-	1360	40.3	-	86.3
EVMS(L)10 19/7.5	2.5	7.5	132	300	-	-	220	152	-	-	-	-	-	-	971	-	1390	42.3	-	88.3	971	-	1390	41.2	-	87.2
EVMS(L)10 21/7.5	2.5	7.5	132	300	-	-	220	152	-	-	-	-	-	-	1031	-	1450	44.1	-	90.1	1031	-	1450	43.1	-	89.1
EVMS(L)10 22/11	2.5	11	160	350	-	-	259	180	-	-	-	-	-	-	1091	-	1531	46.4	-	108.9	1091	-	1531	45.4	-	107.9
EVMS(L)10 23/11	2.5	11	160	350	-	-	259	180	-	-	-	-	-	-	1121	-	1561	53.1	-	115.6	1121	-	1561	52.1	-	114.6

1.6 MPa=16 bar; 2.5 MPa=25 bar
- not available model

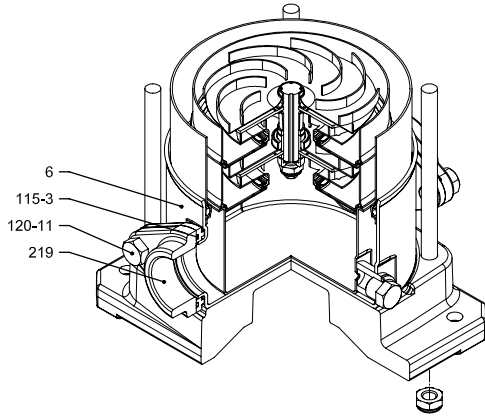
SECTIONAL VIEW
EVMS(L)10



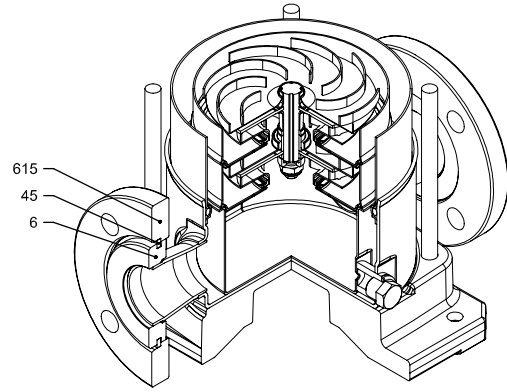
with Round flange (F)

PIPE CONNECTION EVMS(L)10

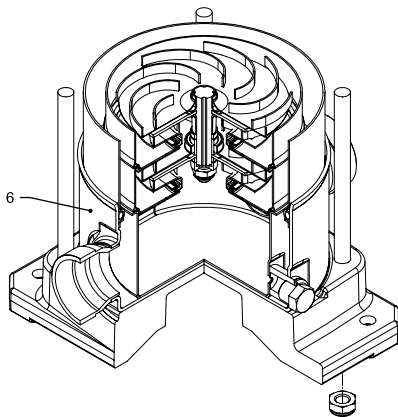
EVMS(L)10



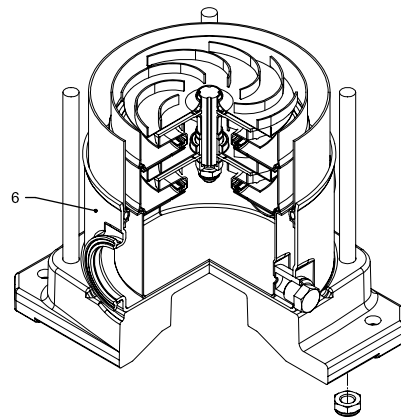
with Oval flange (N)



with Loose round flange (LF)



with Victaulic® connection (V)



with Clamp connection (C)

SECTIONAL TABLE
EVMS(L)10

N°	PART NAME	MATERIAL		DIMENSIONS	STANDARD
		EVMS	EVMSL		
4	Casing cover	EN 1.4301 (AISI 304)	EN 1.4404 (AISI 316L)		
5-1	Suction casing	EN 1.4301 (AISI 304)	EN 1.4404 (AISI 316L)		
5-2	Intermediate casing	EN 1.4301 (AISI 304)	EN 1.4404 (AISI 316L)		
5-3	Intermediate casing with bearing	EN 1.4301 (AISI 304)	EN 1.4404 (AISI 316L)		
5-4	Discharge casing	EN 1.4301 (AISI 304)	EN 1.4404 (AISI 316L)		
6	Bottom casing	EN 1.4301 (AISI 304)	EN 1.4404 (AISI 316L)		
7	Outer casing	EN 1.4301 (AISI 304)	EN 1.4404 (AISI 316L)		
21	Impeller	EN 1.4301 (AISI 304)	EN 1.4404 (AISI 316L)		
31	Shaft	EN 1.4301 (AISI 304)	EN 1.4404 (AISI 316L)		
32-1	Adjuster key	EN 1.4301 (AISI 304)			
43-2	Shaft sleeve (intermediate)	EN 1.4301 (AISI 304)	EN 1.4404 (AISI 316L)		
43-3	Shaft sleeve (bearing + discharge casing)	EN 1.4301 (AISI 304)	EN 1.4404 (AISI 316L)		
44-1	Shaft sleeve bearing	Tungsten carbide			
45	Flange holder	EN 1.4301 (AISI 304)			
46	Ring (mechanical seal)	EN 1.4404 (AISI 316L)			
47	Ring holder	EN 1.4301 (AISI 304)	EN 1.4404 (AISI 316L)		
48	Impeller nut	EN 1.4301 (AISI 304) with inox insert	EN 1.4401 (AISI 316) with inox insert	M10	
52-1	Sleeve bearing	Tungsten carbide			
75	O-Ring (priming plug)	EPDM / FPM		Ø12.37x2.62	OR 3050
75-1	O-Ring (drainage plug)	EPDM / FPM			
107	Liner ring	EN 1.4301 (AISI 304) + PPS	EN 1.4404 (AISI 316L) + PPS		
111	Mechanical seal	see pages 6-7			
111-3	Mechanical seal seat	EN 1.4308 (ASTM CF8)	EN 1.4408 (ASTM CF8M)		
111-4	Seal holder	EN 1.4301 (AISI 304)			
111-5	Mechanical seal cartridge sleeve	EN 1.4301 (AISI 304)	EN 1.4404 (AISI 316L)		
115-1	O-Ring (outer casing)	EPDM / FPM		Ø164.46x5.34	OR 6645
115-3	O-Ring	EPDM / FPM			
115-4	O-Ring (cartridge sleeve)	EPDM / FPM		Ø15.88x2.62	OR 121
115-5	O-Ring (seal flange)	EPDM / FPM		Ø37.77x2.62	OR 3150
120-1	Tie-rod	EN 1.4057 (AISI 431)		M12	
120-3	Screw	A2-70		M5x12	ISO 4762
120-6	Screw (pump coupling)	up to 4.0 kW	Galvanized steel	M6x25	ISO 4762
		from 5.5 kW to 7.5 kW		M8x20	ISO 4762
		above 11 kW		M10x30	ISO 4762
120-11	Screw (counterflange)	A2-70			
120-13	Screw for motor	MEC 80	Galvanized steel 8.8 strength class ISO 898/1	M6x20	ISO 4017
		MEC 90-100-112		M8x20	ISO 4017
		MEC 132		M12x40	UNI 5739
		MEC 160		M16x50	ISO 4017
128-1	Nut (tie rod)	A2-70		M12	ISO 4032
128-3	Nut (motor)	MEC 132	Galvanized steel	M12	ISO 4032
		MEC 160		M16	ISO 4032
128-5	Nut (tie rod)	A2-70		M12	UNI 7474
128-6	Nut (aluminium coupling)	MEC 71-80-90-100-112	Galvanized steel	M6	ISO 4032
130-1	Set screw	EN 1.4301 (AISI 304)		M5x8	ISO 4026
130-2	Screw for coupling guard	A2-70		M5x6	UNI 7687
131-1	Pin for shaft	Carbon Steel		Ø5x35	ISO 2338
135-1	Washer (tie rod)	EN 1.4301 (AISI 304)		Ø13x24x2.5	ISO 7089
135-6	Washer (aluminium coupling)	up to 4.0 kW	Carbon Steel	Ø6	
137-1	Impeller spacer	EN 1.4301 (AISI 304)	EN 1.4404 (AISI 316L)		
140	Coupling	up to 4.0 kW	Die cast Aluminium EN AB-AISI11 Cu2 (Fe)		
		above 5.5 kW	Cast Iron		
160	Base	Die cast Aluminium EN AB-AISI11 Cu2 (Fe)			
162	Motor bracket	Cast iron EN-GJL-250			
212	Priming plug	EN 1.4301 (AISI 304)	EN 1.4404 (AISI 316L)	G 3/8	
212-1	Drainage plug	EN 1.4301 (AISI 304)	EN 1.4404 (AISI 316L)	G 3/8	
212-2	Venting plug	EN 1.4404 (AISI 316L)			
219	Counter flange	flange type: N	EN 1.4308 (ASTM CF8)	EN 1.4408 (ASTM CF8M)	
		flange type: LF-F-V-C	EN 1.4301 (AISI 304)	EN 1.4404 (AISI 316L)	
245	Coupling guard	EN 1.4301 (AISI 304)			
273-1	Washer (drainage plug)	EN 1.4301 (AISI 304)	EN 1.4404 (AISI 316L)		
615	Flange	Nodular Cast Iron			

QUANTITY FOR MODEL EVMS(L)10

Pump Type	N°																												
	4	5-1	52	53	54	6	7	21	31	32-1	43-2	43-3	44-1	45**	46	47	48	52-1	75	75-1	107	111	111-3	111-4	111-5	115-1	115-3*	115-4	1155
EVMS(L)10 2/0.75	1	1	/	1	1	1	1	2	1	1	1	1	1	4	2	1	1	1	1	2	2	1	1	1	1	2	2	1	1
EVMS(L)10 3/1.5	1	1	1	1	1	1	1	3	1	1	3	1	1	4	2	1	1	1	1	2	3	1	1	1	1	2	2	1	1
EVMS(L)10 4/2.2	1	1	2	1	1	1	1	4	1	1	5	1	1	4	2	1	1	1	1	2	4	1	1	1	1	2	2	1	1
EVMS(L)10 5/2.2	1	1	3	1	1	1	1	5	1	1	7	1	1	4	2	1	1	1	1	2	5	1	1	1	1	2	2	1	1
EVMS(L)10 6/2.2	1	1	4	1	1	1	1	6	1	1	9	1	1	4	2	1	1	1	1	2	6	1	1	1	1	2	2	1	1
EVMS(L)10 7/3.0	1	1	5	1	1	1	1	7	1	1	11	1	1	4	2	1	1	1	1	2	7	1	1	1	1	2	2	1	1
EVMS(L)10 8/3.0	1	1	6	1	1	1	1	8	1	1	13	1	1	4	2	1	1	1	1	2	8	1	1	1	1	2	2	1	1
EVMS(L)10 9/4.0	1	1	7	1	1	1	1	9	1	1	15	1	1	4	2	1	1	1	1	2	9	1	1	1	1	2	2	1	1
EVMS(L)10 10/4.0	1	1	8	1	1	1	1	10	1	1	17	1	1	4	2	1	1	1	1	2	10	1	1	1	1	2	2	1	1
EVMS(L)10 11/4.0	1	1	9	1	1	1	1	11	1	1	19	1	1	4	2	1	1	1	1	2	11	1	1	1	1	2	2	1	1
EVMS(L)10 12/5.5	1	1	9	2	1	1	1	12	1	1	19	2	2	4	2	1	1	2	1	2	12	1	1	1	1	2	2	1	1
EVMS(L)10 14/5.5	1	1	11	2	1	1	1	14	1	1	23	2	2	4	2	1	1	2	1	2	14	1	1	1	1	2	2	1	1
EVMS(L)10 15/5.5	1	1	12	2	1	1	1	15	1	1	25	2	2	4	2	1	1	2	1	2	15	1	1	1	1	2	2	1	1
EVMS(L)10 16/7.5	1	1	13	2	1	1	1	16	1	1	27	2	2	4	2	1	1	2	1	2	16	1	1	1	1	2	/	1	1
EVMS(L)10 18/7.5	1	1	15	2	1	1	1	18	1	1	31	2	2	4	2	1	1	2	1	2	18	1	1	1	1	2	/	1	1
EVMS(L)10 19/7.5	1	1	16	2	1	1	1	19	1	1	33	2	2	4	2	1	1	2	1	2	19	1	1	1	1	2	/	1	1
EVMS(L)10 21/7.5	1	1	18	2	1	1	1	21	1	1	37	2	2	4	2	1	1	2	1	2	21	1	1	1	1	2	/	1	1
EVMS(L)10 22/11	1	1	19	2	1	1	1	22	1	1	39	2	2	4	2	1	1	2	1	2	22	1	1	1	1	2	/	1	1
EVMS(L)10 23/11	1	1	19	3	1	1	1	23	1	1	39	3	3	4	2	1	1	3	1	2	23	1	1	1	1	2	/	1	1

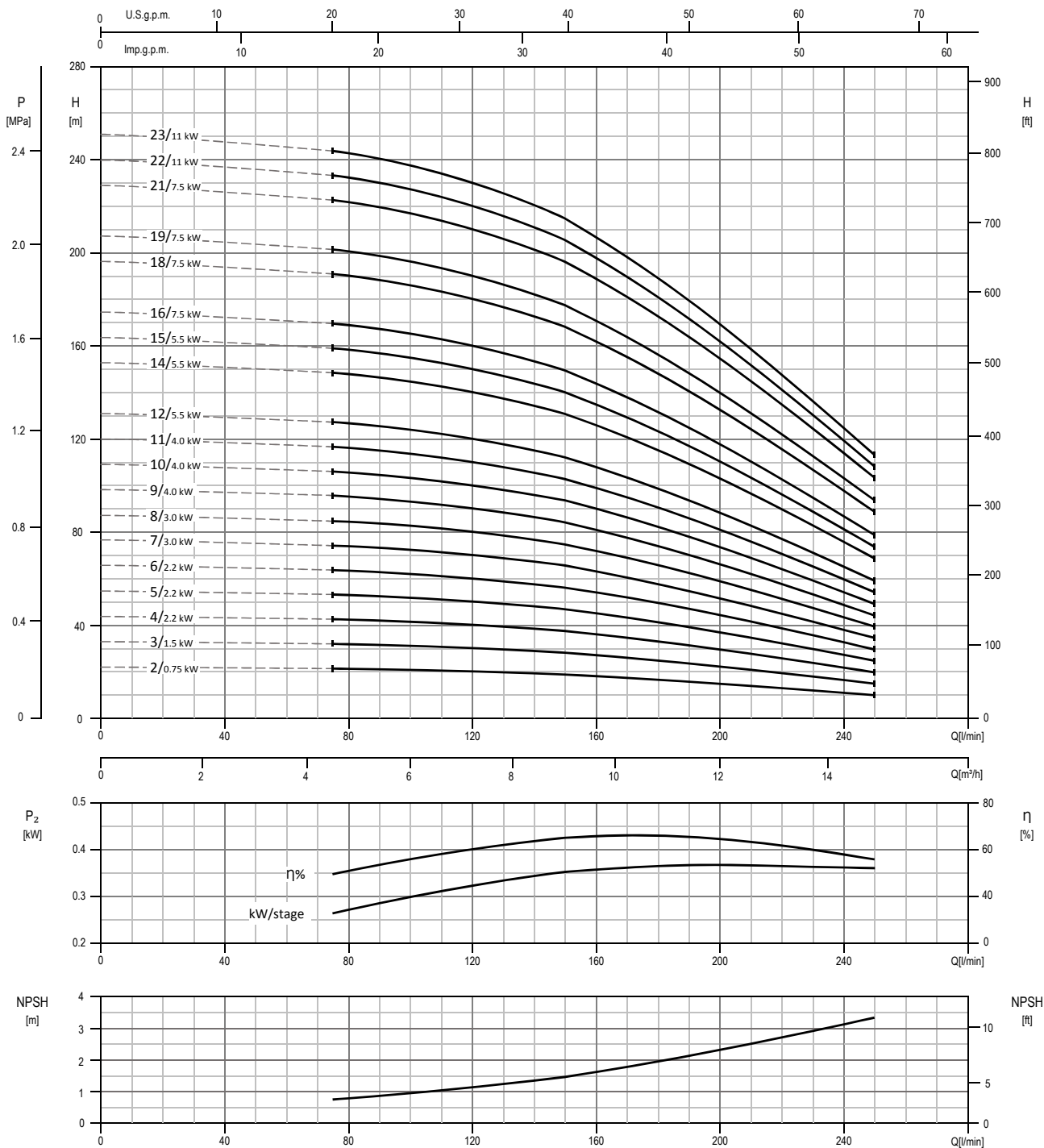
Pump Type	N°																								
	120-1	120-3	120-6	120-11*	120-13	128-1	128-3	128-5	128-6	130-1	130-2	131-1	135-1	135-6	137-1	140	160	162	212	212-1	212-2	219*	245	273-1	615**
EVMS(L)10 2/0.75	4	4	4	4	4	4	/	4	4	3	4	1	4	4	1	2	1	1	1	2	1	2	2	2	2
EVMS(L)10 3/1.5	4	4	4	4	4	4	/	4	4	3	4	1	4	4	1	2	1	1	1	2	1	2	2	2	2
EVMS(L)10 4/2.2	4	4	4	4	4	4	/	4	4	3	4	1	4	4	1	2	1	1	1	2	1	2	2	2	2
EVMS(L)10 5/2.2	4	4	4	4	4	4	/	4	4	3	4	1	4	4	1	2	1	1	1	2	1	2	2	2	2
EVMS(L)10 6/2.2	4	4	4	4	4	4	/	4	4	3	4	1	4	4	1	2	1	1	1	2	1	2	2	2	2
EVMS(L)10 7/3.0	4	4	4	4	4	4	/	4	4	3	4	1	4	4	1	2	1	1	1	2	1	2	2	2	2
EVMS(L)10 8/3.0	4	4	4	4	4	4	/	4	4	3	4	1	4	4	1	2	1	1	1	2	1	2	2	2	2
EVMS(L)10 9/4.0	4	4	4	4	4	4	/	4	4	3	4	1	4	4	1	2	1	1	1	2	1	2	2	2	2
EVMS(L)10 10/4.0	4	4	4	4	4	4	/	4	4	3	4	1	4	4	1	2	1	1	1	2	1	2	2	2	2
EVMS(L)10 11/4.0	4	4	4	4	4	4	/	4	4	3	4	1	4	4	1	2	1	1	1	2	1	2	2	2	2
EVMS(L)10 12/5.5	4	4	4	4	4	4	/	4	4	3	4	1	4	/	1	2	1	1	1	2	1	2	2	2	2
EVMS(L)10 14/5.5	4	4	4	4	4	4	/	4	4	3	4	1	4	/	1	2	1	1	1	2	1	2	2	2	2
EVMS(L)10 15/5.5	4	4	4	4	4	4	/	4	4	3	4	1	4	/	1	2	1	1	1	2	1	2	2	2	2
EVMS(L)10 16/7.5	4	4	4	/	4	4	4	/	4	3	4	1	4	/	1	2	1	1	1	2	1	/	2	2	2
EVMS(L)10 18/7.5	4	4	4	/	4	4	4	/	4	3	4	1	4	/	1	2	1	1	1	2	1	/	2	2	2
EVMS(L)10 19/7.5	4	4	4	/	4	4	4	/	4	3	4	1	4	/	1	2	1	1	1	2	1	/	2	2	2
EVMS(L)10 21/7.5	4	4	4	/	4	4	4	/	4	3	4	1	4	/	1	2	1	1	1	2	1	/	2	2	2
EVMS(L)10 22/11	4	4	4	/	4	4	4	/	4	3	4	1	4	/	1	2	1	1	1	2	1	/	2	2	2
EVMS(L)10 23/11	4	4	4	/	4	4	4	/	4	3	4	1	4	/	1	2	1	1	1	2	1	/	2	2	2

* only for Oval flange (N)

** only for Loose round flange (LF)

128-6 / 135-6: with Aluminium coupling (see drawing pag.18)

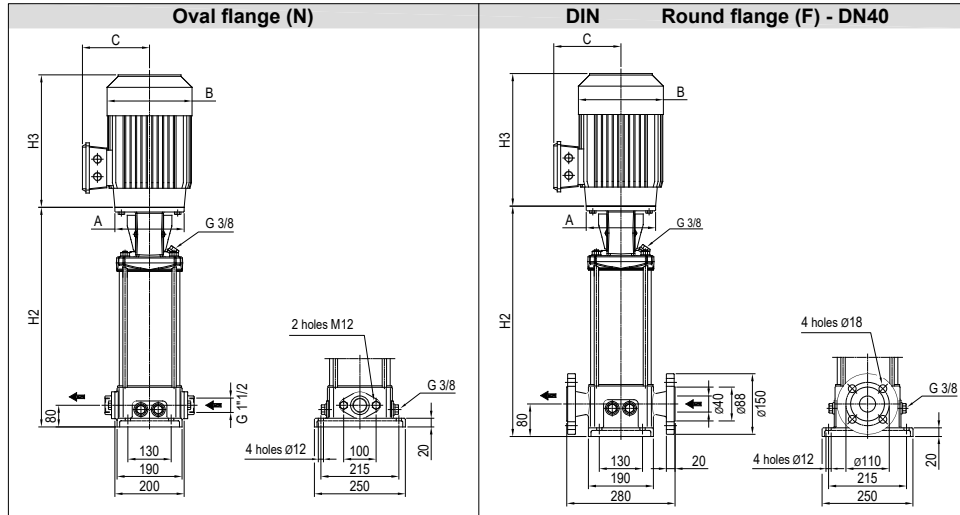
PERFORMANCE CURVE
EVMSG10



Test standard: ISO 9906:2012 - Grade 3B

TECHNICAL DATA EVMSG10

Dimensional sketch



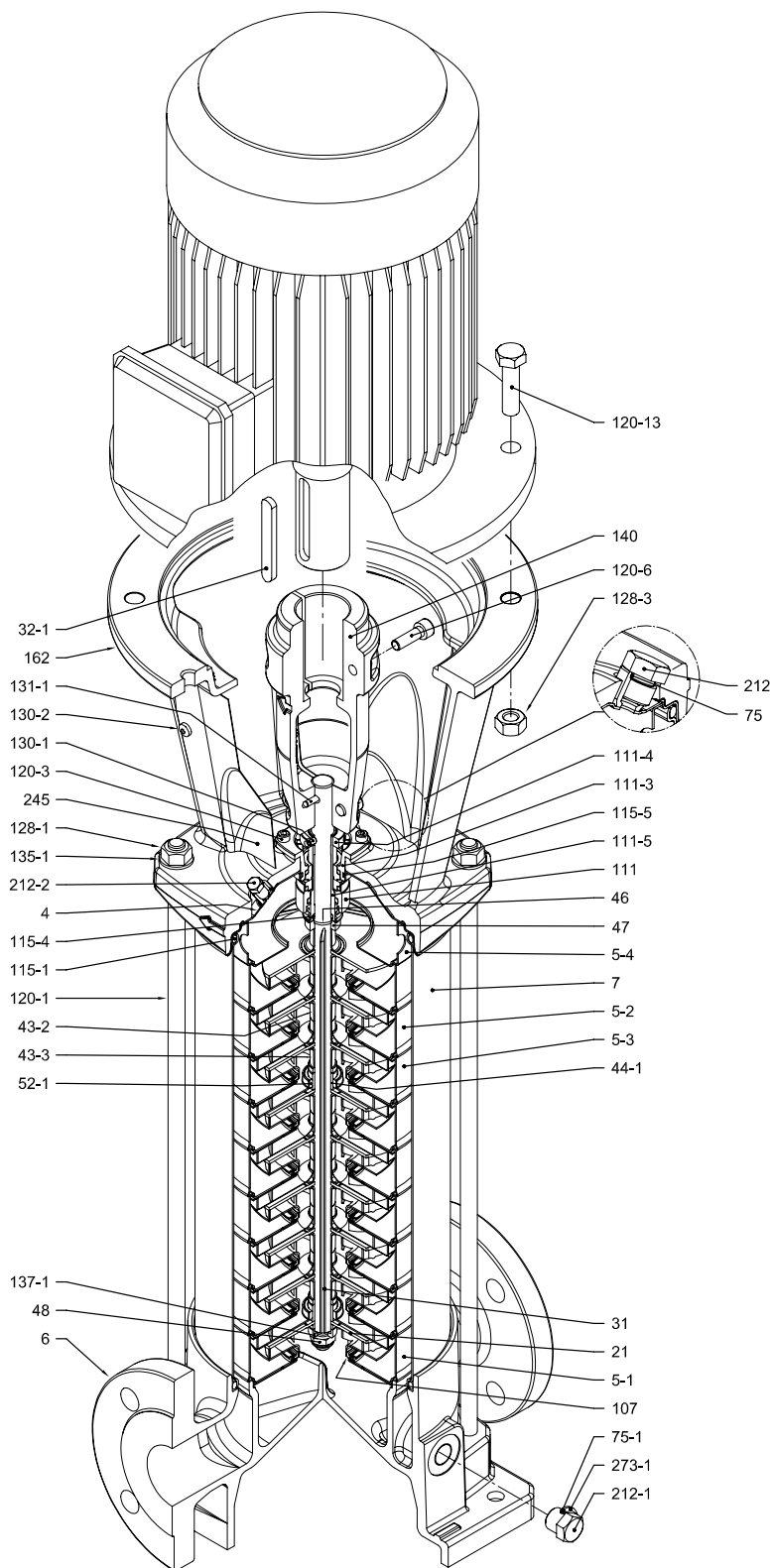
Dimensions [mm] and Weights [Kg]

Pump Type	Pmax [MPa]	Motor						Oval flange (N)						Round flange (F)							
		kW	Size	1~			3~			H2	H2+H3		Weight Pump	Weight Pump + Motor		H2	H2+H3		Weight Pump	Weight Pump + Motor	
				A	B	C	B	C	1~		3~	1~		3~	1~		3~	1~		3~	
EVMSG10 2/0.75	1.6	0.75	80	120	157	150	141	102	343	575	576	21.6	33.4	30.1	343	575	576	24.3	36.1	32.8	
EVMSG10 3/1.5	1.6	1.5	90	140	172	140	160	119	383	661	674	22.5	43.0	36.0	383	661	674	25.3	43.0	38.8	
EVMSG10 4/2.2	1.6	2.2	90	140	172	140	160	119	413	729	704	23.3	50.0	38.3	413	729	704	26	50.0	41.0	
EVMSG10 5/2.2	1.6	2.2	90	140	172	140	160	119	443	759	734	24.2	50.0	39.2	443	759	734	26.9	50.0	41.9	
EVMSG10 6/2.2	1.6	2.2	90	140	172	140	160	119	473	789	764	25	51.0	40.0	473	789	764	27.7	51.0	42.7	
EVMSG10 7/3.0	1.6	3.0	100	160	-	-	176	123	513	-	855	26	-	48.0	513	-	855	28.7	-	50.7	
EVMSG10 8/3.0	1.6	3.0	100	160	-	-	176	123	543	-	885	26.8	-	48.8	543	-	885	29.5	-	51.5	
EVMSG10 9/4.0	1.6	4.0	112	160	-	-	193	138	573	-	937	27.7	-	56.2	573	-	937	30.4	-	58.9	
EVMSG10 10/4.0	1.6	4.0	112	160	-	-	193	138	603	-	967	28.5	-	57.0	603	-	967	31.2	-	59.7	
EVMSG10 11/4.0	1.6	4.0	112	160	-	-	193	138	633	-	997	30.1	-	58.6	633	-	997	32.9	-	61.4	
EVMSG10 12/5.5	1.6	5.5	132	300	-	-	220	152	761	-	1160	39.9	-	78.9	761	-	1160	42.7	-	81.7	
EVMSG10 14/5.5	1.6	5.5	132	300	-	-	220	152	821	-	1220	41.8	-	80.8	821	-	1220	44.5	-	83.5	
EVMSG10 15/5.5	1.6	5.5	132	300	-	-	220	152	851	-	1250	42.7	-	81.7	851	-	1250	45.4	-	84.4	
EVMSG10 16/7.5	2.5	7.5	132	300	-	-	220	152	-	-	-	-	-	-	881	-	1300	46.3	-	92.3	
EVMSG10 18/7.5	2.5	7.5	132	300	-	-	220	152	-	-	-	-	-	-	941	-	1360	47.7	-	93.7	
EVMSG10 19/7.5	2.5	7.5	132	300	-	-	220	152	-	-	-	-	-	-	971	-	1390	49.1	-	95.1	
EVMSG10 21/7.5	2.5	7.5	132	300	-	-	220	152	-	-	-	-	-	-	1031	-	1450	50.9	-	96.9	
EVMSG10 22/11	2.5	11	160	350	-	-	259	180	-	-	-	-	-	-	1091	-	1531	53.2	-	115.7	
EVMSG10 23/11	2.5	11	160	350	-	-	259	180	-	-	-	-	-	-	1121	-	1561	59.9	-	122.4	

1.6 MPa=16 bar; 2.5 MPa=25 bar
- not available model

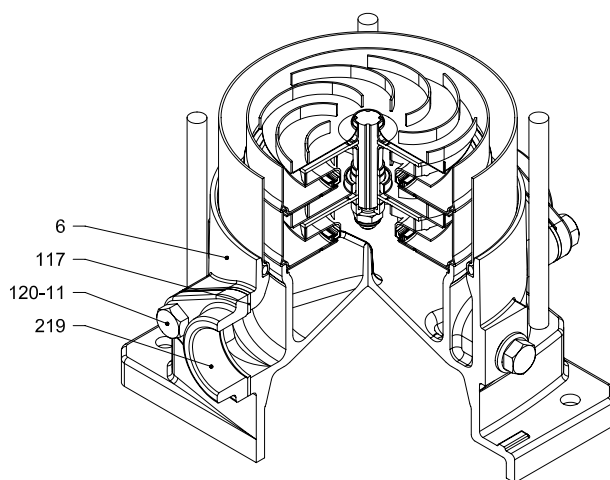
SECTIONAL VIEW
EVMSG10

EVMSG10



with Round flange (F)

PIPE CONNECTION EVMSG10



with Oval flange (N)

SECTIONAL TABLE
EVMSG10

N°	PART NAME	MATERIAL EVMSG	DIMENSIONS	STANDARD	
4	Casing cover	EN 1.4301 (AISI 304)			
5-1	Suction casing	EN 1.4301 (AISI 304)			
5-2	Intermediate casing	EN 1.4301 (AISI 304)			
5-3	Intermediate casing with bearing	EN 1.4301 (AISI 304)			
5-4	Discharge casing	EN 1.4301 (AISI 304)			
6	Bottom casing	Cast Iron EN-GJL-250			
7	Outer casing	EN 1.4301 (AISI 304)			
21	Impeller	EN 1.4301 (AISI 304)			
31	Shaft	EN 1.4301 (AISI 304)			
32-1	Adjuster key	EN 1.4301 (AISI 304)			
43-2	Shaft sleeve (intermediate)	EN 1.4301 (AISI 304)			
43-3	Shaft sleeve (bearing + discharge casing)	EN 1.4301 (AISI 304)			
44-1	Shaft sleeve bearing	Tungsten carbide			
46	Ring (mechanical seal)	EN 1.4404 (AISI 316L)			
47	Ring holder	EN 1.4404 (AISI 316L)			
48	Impeller nut	EN 1.4301 (AISI 304) with inox insert	M10		
52-1	Sleeve bearing	Tungsten carbide			
75	O-Ring (priming plug)	EPDM / FPM	Ø12.37x2.62	OR 3050	
75-1	O-Ring (drainage plug)	EPDM / FPM			
107	Liner ring	EN 1.4301 (AISI 304) + PPS			
111	Mechanical seal	see pages 6-7			
111-3	Mechanical seal seat	EN 1.4308 (ASTM CF8)			
111-4	Seal holder	EN 1.4301 (AISI 304)			
111-5	Mechanical seal cartridge sleeve	EN 1.4301 (AISI 304)			
115-1	O-Ring (outer casing)	EPDM / FPM	Ø164.46x5.34	OR 6645	
115-4	O-Ring (cartridge sleeve)	EPDM / FPM	Ø15.88x2.62	OR 121	
115-5	O-Ring (seal flange)	EPDM / FPM	Ø37.77x2.62	OR 3150	
117	Flange gasket	EPDM / FPM			
120-1	Tie-rod	EN 1.4057 (AISI 431)	M12		
120-3	Screw (seal flange)	A2-70	M5x12	ISO 4762	
120-6	Screw (pump coupling)	Galvanized steel	up to 4.0 kW	M6x25	ISO 4762
			from 5.5 kw to 7.5 kW	M8x20	ISO 4762
			above 11 kW	M10x30	ISO 4762
120-11	Screw (counterflange)	A2-70			
120-13	Screw for motor	Galvanized steel 8.8 strength class ISO 898/1	MEC 80	M6x20	ISO 4017
			MEC 90-100-112	M8x20	ISO 4017
			MEC 132	M12x40	UNI 5739
			MEC 160	M16x50	ISO 4017
128-1	Nut (tie rod)	A2-70	M12	ISO 4032	
128-3	Nut (motor)	Galvanized steel	MEC 132	M12	ISO 4032
			MEC 160	M16	ISO 4032
128-6	Nut (aluminium coupling)	MEC 71-80-90-100-112	Galvanized steel	M6	ISO 4032
130-1	Set screw	EN 1.4301 (AISI 304)	M5x8	ISO 4026	
130-2	Screw for coupling guard	A2-70	M5x6	UNI 7687	
131-1	Pin for shaft	Carbon Steel	Ø5x35	ISO 2338	
135-1	Washer (tie rod)	EN 1.4301 (AISI 304)	Ø13x24x2.5	ISO 7089	
135-6	Washer (aluminium coupling)	up to 4.0 kW	Carbon Steel	Ø6	
137-1	Impeller spacer	EN 1.4301 (AISI 304)			
140	Coupling	up to 4.0 kW	Die cast Aluminium EN AB-AISI11Cu2 (Fe)		
		above 5.5 kW	Cast Iron		
162	Motor bracket	Cast iron EN-GJL-250			
212	Priming plug	EN 1.4301 (AISI 304)	G 3/8		
212-1	Drainage plug	EN 1.4301 (AISI 304)	G 3/8		
212-2	Venting plug	EN 1.4404 (AISI 316L)			
219	Counter flange	flange type: N	Galvanized steel		
		flange type: F	Cast Iron EN-GJL-250		
245	Coupling guard	EN 1.4301 (AISI 304)			
273-1	Washer (drainage plug)	EN 1.4301 (AISI 304)			

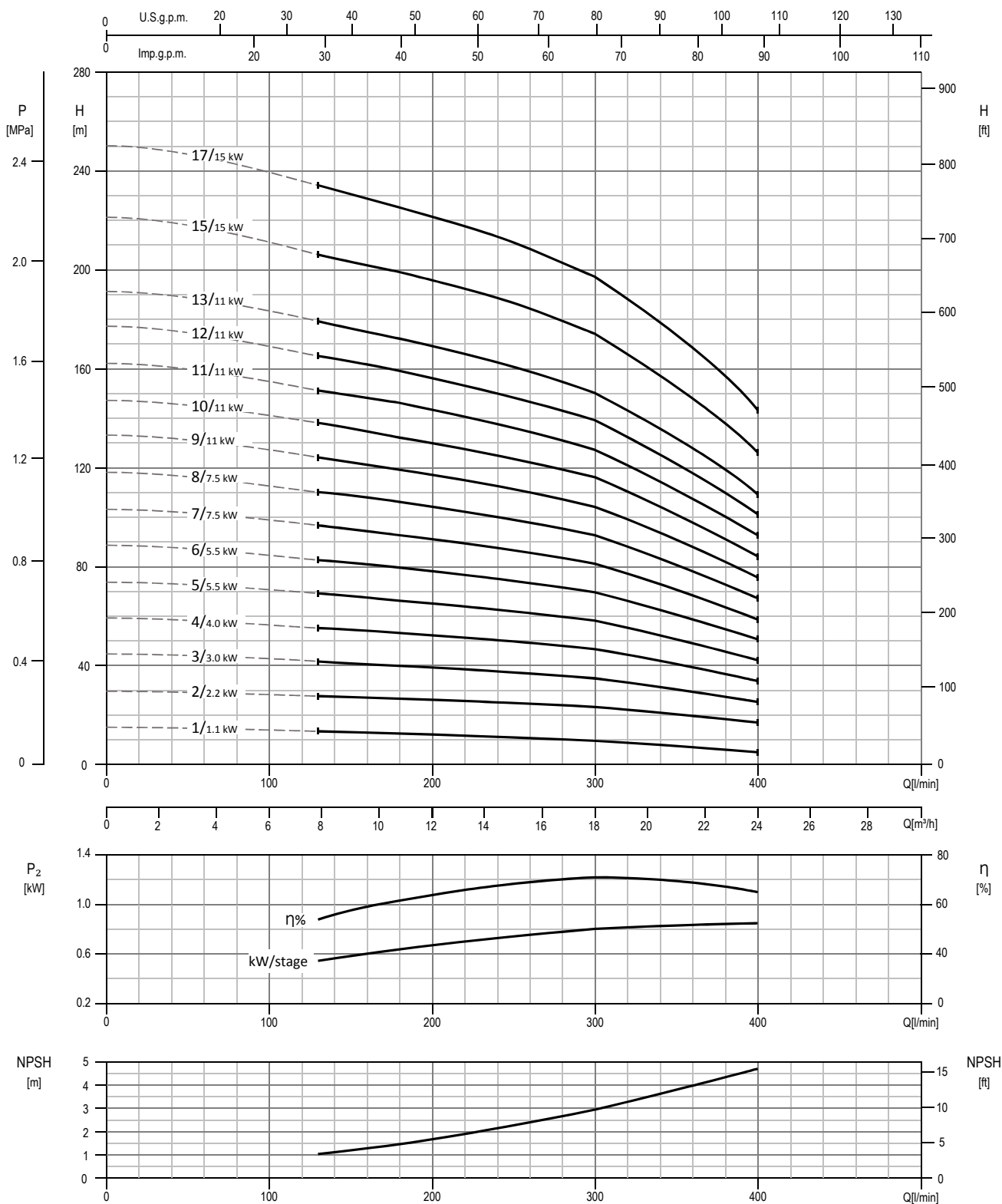
QUANTITY FOR MODEL EVMSG10

Pump Type	N°																										
	4	5-1	52	53	54	6	7	21	31	32-1	43-2	43-3	44-1	46	47	48	52-1	75	75-1	107	111	111-3	111-4	111-5	115-1	115-4	115-5
EVMSG10 2/0.75	1	1	/	1	1	1	1	2	1	1	/	2	1	2	1	1	1	1	4	2	1	1	1	1	2	1	1
EVMSG10 3/1.5	1	1	1	1	1	1	1	3	1	1	1	2	1	2	1	1	1	1	4	3	1	1	1	1	2	1	1
EVMSG10 4/2.2	1	1	2	1	1	1	1	4	1	1	2	2	1	2	1	1	1	1	4	4	1	1	1	1	2	1	1
EVMSG10 5/2.2	1	1	3	1	1	1	1	5	1	1	3	2	1	2	1	1	1	1	4	5	1	1	1	1	2	1	1
EVMSG10 6/2.2	1	1	4	1	1	1	1	6	1	1	4	2	1	2	1	1	1	1	4	6	1	1	1	1	2	1	1
EVMSG10 7/3.0	1	1	5	1	1	1	1	7	1	1	5	2	1	2	1	1	1	1	4	7	1	1	1	1	2	1	1
EVMSG10 8/3.0	1	1	6	1	1	1	1	8	1	1	6	2	1	2	1	1	1	1	4	8	1	1	1	1	2	1	1
EVMSG10 9/4.0	1	1	7	1	1	1	1	9	1	1	7	2	1	2	1	1	1	1	4	9	1	1	1	1	2	1	1
EVMSG10 10/4.0	1	1	8	1	1	1	1	10	1	1	8	2	1	2	1	1	1	1	4	10	1	1	1	1	2	1	1
EVMSG10 11/4.0	1	1	9	1	1	1	1	11	1	1	9	2	1	2	1	1	1	1	4	11	1	1	1	1	2	1	1
EVMSG10 12/5.5	1	1	9	2	1	1	1	12	1	1	9	3	2	2	1	1	2	1	4	12	1	1	1	1	2	1	1
EVMSG10 14/5.5	1	1	11	2	1	1	1	14	1	1	11	3	2	2	1	1	2	1	4	14	1	1	1	1	2	1	1
EVMSG10 15/5.5	1	1	12	2	1	1	1	15	1	1	12	3	2	2	1	1	2	1	4	15	1	1	1	1	2	1	1
EVMSG10 16/7.5	1	1	13	2	1	1	1	16	1	1	13	3	2	2	1	1	2	1	4	16	1	1	1	1	2	1	1
EVMSG10 18/7.5	1	1	15	2	1	1	1	18	1	1	15	3	2	2	1	1	2	1	4	18	1	1	1	1	2	1	1
EVMSG10 19/7.5	1	1	16	2	1	1	1	19	1	1	16	3	2	2	1	1	2	1	4	19	1	1	1	1	2	1	1
EVMSG10 21/7.5	1	1	18	2	1	1	1	21	1	1	18	3	2	2	1	1	2	1	4	21	1	1	1	1	2	1	1
EVMSG10 22/11	1	1	19	2	1	1	1	22	1	1	19	3	2	2	1	1	2	1	4	22	1	1	1	1	2	1	1
EVMSG10 23/11	1	1	19	3	1	1	1	23	1	1	19	4	3	2	1	1	3	1	4	23	1	1	1	1	2	1	1

Pump Type	N°																						
	117*	120-1	120-3	120-6	120-11*	120-13	128-1	128-3	128-6	130-1	130-2	131-1	135-1	135-6	137-1	140	162	212	212-1	212-2	219*	245	273-1
EVMSG10 2/0.75	2	4	4	4	4	4	4	/	4	3	4	1	4	4	1	2	1	1	4	1	2	2	4
EVMSG10 3/1.5	2	4	4	4	4	4	4	/	4	3	4	1	4	4	1	2	1	1	4	1	2	2	4
EVMSG10 4/2.2	2	4	4	4	4	4	4	/	4	3	4	1	4	4	1	2	1	1	4	1	2	2	4
EVMSG10 5/2.2	2	4	4	4	4	4	4	/	4	3	4	1	4	4	1	2	1	1	4	1	2	2	4
EVMSG10 6/2.2	2	4	4	4	4	4	4	/	4	3	4	1	4	4	1	2	1	1	4	1	2	2	4
EVMSG10 7/3.0	2	4	4	4	4	4	4	/	4	3	4	1	4	4	1	2	1	1	4	1	2	2	4
EVMSG10 8/3.0	2	4	4	4	4	4	4	/	4	3	4	1	4	4	1	2	1	1	4	1	2	2	4
EVMSG10 9/4.0	2	4	4	4	4	4	4	/	4	3	4	1	4	4	1	2	1	1	4	1	2	2	4
EVMSG10 10/4.0	2	4	4	4	4	4	4	/	4	3	4	1	4	4	1	2	1	1	4	1	2	2	4
EVMSG10 11/4.0	2	4	4	4	4	4	4	/	4	3	4	1	4	4	1	2	1	1	4	1	2	2	4
EVMSG10 12/5.5	2	4	4	4	4	4	4	/	3	4	1	4	/	1	2	1	1	4	1	2	2	4	
EVMSG10 14/5.5	2	4	4	4	4	4	4	/	3	4	1	4	/	1	2	1	1	4	1	2	2	4	
EVMSG10 15/5.5	2	4	4	4	4	4	4	/	3	4	1	4	/	1	2	1	1	4	1	2	2	4	
EVMSG10 16/7.5	/	4	4	4	/	4	4	4	/	3	4	1	4	/	1	2	1	1	4	1	/	2	4
EVMSG10 18/7.5	/	4	4	4	/	4	4	4	/	3	4	1	4	/	1	2	1	1	4	1	/	2	4
EVMSG10 19/7.5	/	4	4	4	/	4	4	4	/	3	4	1	4	/	1	2	1	1	4	1	/	2	4
EVMSG10 21/7.5	/	4	4	4	/	4	4	4	/	3	4	1	4	/	1	2	1	1	4	1	/	2	4
EVMSG10 22/11	/	4	4	4	/	4	4	4	/	3	4	1	4	/	1	2	1	1	4	1	/	2	4
EVMSG10 23/11	/	4	4	4	/	4	4	4	/	3	4	1	4	/	1	2	1	1	4	1	/	2	4

* only for Oval flange (N)
128-6 / 135-6: with Aluminium coupling (see drawing pag.18)

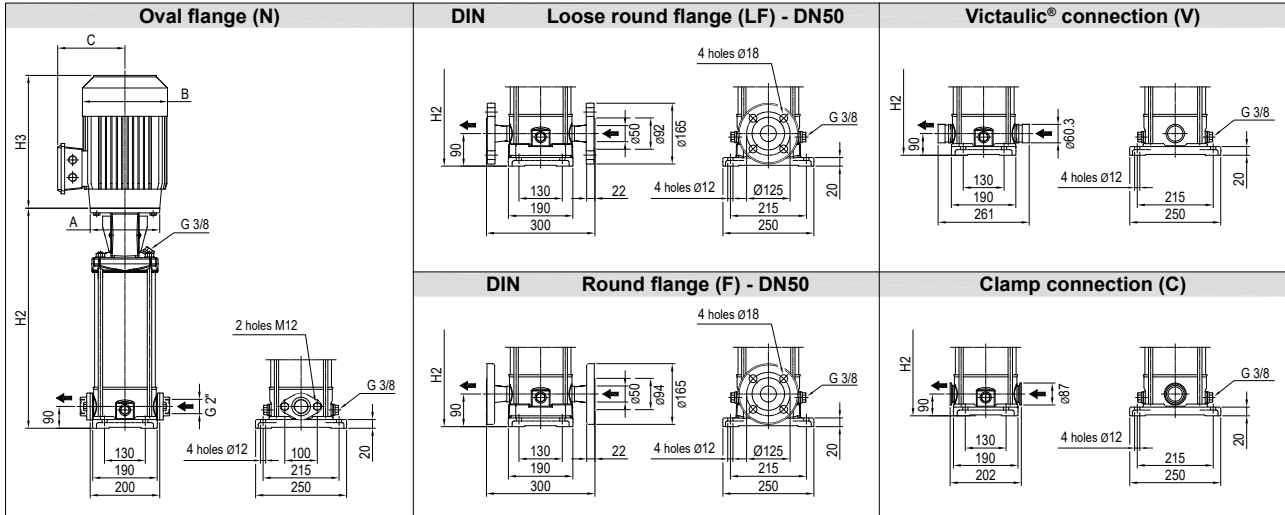
PERFORMANCE CURVE
EVMS(L)15



Test standard: ISO 9906:2012 - Grade 3B

TECHNICAL DATA EVMS(L)15

Dimensional sketch



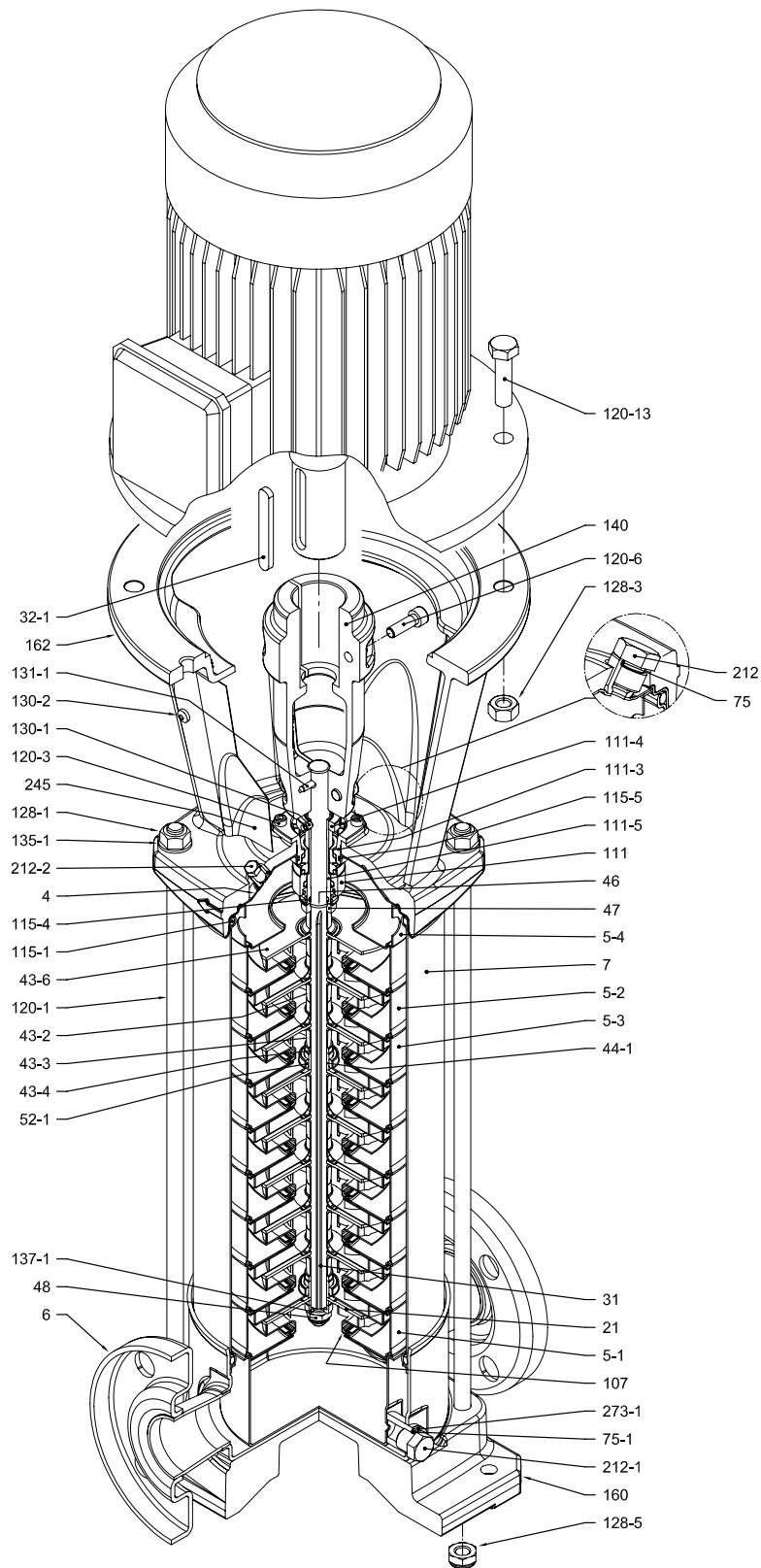
Dimensions [mm] and Weights [Kg]

Pump Type	P _{max} [MPa]	Motor				Oval flange (N)				Loose round flange (LF) Round flange (F)				Victaulic® connection (V) Clamp connection (C)												
		kW	Size	1~		3~		H2	H2+H3	Weight Pump	Weight Pump + Motor	H2	H2+H3	Weight Pump	Weight Pump + Motor	H2	H2+H3	Weight Pump	Weight Pump + Motor							
			Ø	B	C	B	C		1~	3~	1~	3~		1~	3~	1~	3~	1~	3~							
EVMS(L)15 1/1.1	1.6	1.1	80	120	157	149	141	102	377	609	621	18.0	30.0	28.0	377	609	621	18.8	30.8	28.8	377	609	621	16.9	28.9	26.9
EVMS(L)15 2/2.2	1.6	2.2	90	140	172	140	160	119	387	703	678	18.3	42.0	33.3	387	703	678	19.1	44.0	34.1	387	703	678	17.2	41.0	32.2
EVMS(L)15 3/3.0	1.6	3.0	100	160	-	-	176	123	437	-	779	19.6	-	41.6	437	-	779	20.4	-	42.4	437	-	779	18.5	-	40.5
EVMS(L)15 4/4.0	1.6	4.0	112	160	-	-	193	138	477	-	841	20.8	-	49.3	477	-	841	21.6	-	50.1	477	-	841	19.7	-	48.2
EVMS(L)15 5/5.5	1.6	5.5	132	300	-	-	220	152	614	-	1013	30.5	-	69.5	614	-	1013	31.3	-	70.3	614	-	1013	29.4	-	68.4
EVMS(L)15 6/5.5	1.6	5.5	132	300	-	-	220	152	654	-	1053	31.7	-	70.7	654	-	1053	32.5	-	71.5	654	-	1053	30.6	-	69.6
EVMS(L)15 7/7.5	1.6	7.5	132	300	-	-	220	152	694	-	1113	33.9	-	79.9	694	-	1113	34.7	-	80.7	694	-	1113	32.8	-	78.8
EVMS(L)15 8/7.5	1.6	7.5	132	300	-	-	220	152	734	-	1153	35.2	-	81.2	734	-	1153	36.0	-	82.0	734	-	1153	34.1	-	80.1
EVMS(L)15 9/11	1.6	11	160	350	-	-	259	180	804	-	1244	36.5	-	99.0	804	-	1244	37.3	-	99.8	804	-	1244	35.4	-	97.9
EVMS(L)15 10/11	1.6	11	160	350	-	-	259	180	844	-	1284	37.8	-	100.3	844	-	1284	38.6	-	101.1	844	-	1284	36.7	-	99.2
EVMS(L)15 11/11	1.6	11	160	350	-	-	259	180	884	-	1324	45.8	-	108.3	884	-	1324	46.6	-	109.1	884	-	1324	44.7	-	107.2
EVMS(L)15 12/11	2.5	11	160	350	-	-	259	180	-	-	-	-	-	-	924	-	1364	47.9	-	110.4	924	-	1364	46.0	-	108.5
EVMS(L)15 13/11	2.5	11	160	350	-	-	259	180	-	-	-	-	-	-	964	-	1404	49.2	-	111.7	964	-	1404	47.3	-	109.8
EVMS(L)15 15/15	2.5	15	160	350	-	-	311	240	-	-	-	-	-	-	1044	-	1539	51.8	-	152.8	1044	-	1539	49.9	-	150.9
EVMS(L)15 17/15	2.5	15	160	350	-	-	311	240	-	-	-	-	-	-	1124	-	1619	54.7	-	155.7	1124	-	1619	52.8	-	153.8

1.6 MPa=16 bar; 2.5 MPa=25 bar
- not available model

SECTIONAL VIEW
EVMS(L)15

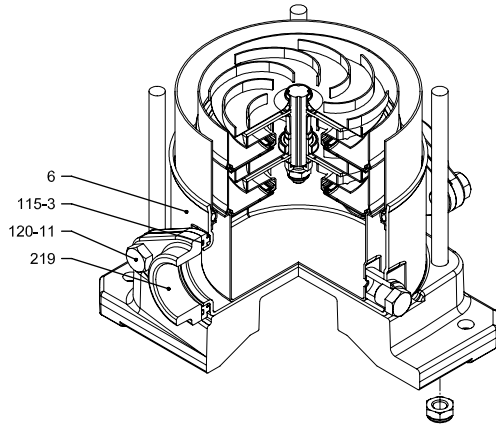
EVMS(L)15



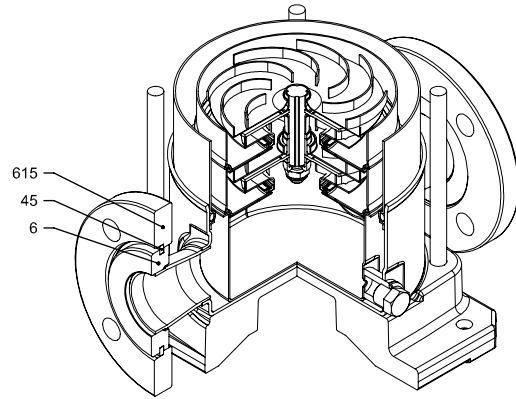
with Round flange (F)

PIPE CONNECTION EVMS(L)15

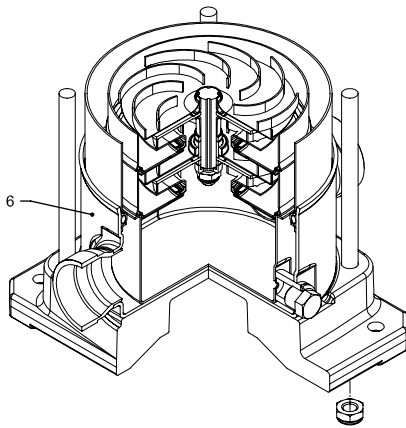
EVMS(L)15



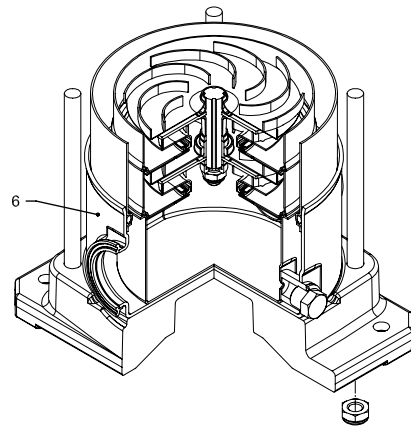
with Oval flange (N)



with Loose round flange (LF)



with Victaulic® connection (V)



with Clamp connection (C)

SECTIONAL TABLE
EVMS(L)15

N°	PART NAME	MATERIAL		DIMENSIONS	STANDARD
		EVMS	EVMSL		
4	Casing cover	EN 1.4301 (AISI 304)	EN 1.4404 (AISI 316L)		
5-1	Suction casing	EN 1.4301 (AISI 304)	EN 1.4404 (AISI 316L)		
5-2	Intermediate casing	EN 1.4301 (AISI 304)	EN 1.4404 (AISI 316L)		
5-3	Intermediate casing with bearing	EN 1.4301 (AISI 304)	EN 1.4404 (AISI 316L)		
5-4	Discharge casing	EN 1.4301 (AISI 304)	EN 1.4404 (AISI 316L)		
6	Bottom casing	EN 1.4301 (AISI 304)	EN 1.4404 (AISI 316L)		
7	Outer casing	EN 1.4301 (AISI 304)	EN 1.4404 (AISI 316L)		
21	Impeller	EN 1.4301 (AISI 304)	EN 1.4404 (AISI 316L)		
31	Shaft	EN 1.4301 (AISI 304) - EN 1.4462 (AISI 329A)	EN 1.4404 (AISI 316L) - EN 1.4462 (AISI 329A)		
32-1	Adjuster key	EN 1.4301 (AISI 304)			
43-2	Shaft sleeve (intermediate)	EN 1.4301 (AISI 304)	EN 1.4404 (AISI 316L)		
43-3	Shaft sleeve (bearing + discharge casing)	EN 1.4301 (AISI 304)	EN 1.4404 (AISI 316L)		
43-4	Shaft sleeve (adjustment)	EN 1.4301 (AISI 304)	EN 1.4404 (AISI 316L)		
43-6	Washer	EN 1.4404 (AISI 316L)		Ø26x2.5	
44-1	Shaft sleeve bearing	Tungsten carbide			
45	Flange holder	EN 1.4301 (AISI 304)			
46	Ring (mechanical seal)	EN 1.4404 (AISI 316L)			
47	Ring holder	EN 1.4301 (AISI 304)	EN 1.4404 (AISI 316L)		
48	Impeller nut	EN 1.4301 (AISI 304) with inox insert	EN 1.4401 (AISI 316) with inox insert	M10	
52-1	Sleeve bearing	Tungsten carbide			
75	O-Ring (priming plug)	EPDM / FPM		Ø12.37x2.62	OR 3050
75-1	O-Ring (drainage plug)	EPDM / FPM			
107	Liner ring	EN 1.4301 (AISI 304) + PPS	EN 1.4404 (AISI 316L) + PPS		
111	Mechanical seal	see pages 6-7			
111-3	Mechanical seal seat	EN 1.4308 (ASTM CF8)	EN 1.4408 (ASTM CF8M)		
111-4	Seal holder	EN 1.4301 (AISI 304)			
111-5	Mechanical seal cartridge sleeve	EN 1.4301 (AISI 304)	EN 1.4404 (AISI 316L)		
115-1	O-Ring (outer casing)	EPDM / FPM		Ø164.46x5.34	OR 6645
115-3	O-Ring	EPDM / FPM			
115-4	O-Ring (cartridge sleeve)	EPDM / FPM		Ø15.88x2.62	OR 121
115-5	O-Ring (seal flange)	EPDM / FPM		Ø37.77x2.62	OR 3150
120-1	Tie-rod	EN 1.4057 (AISI 431)		M12	
120-3	Screw (seal flange)	A2-70		M5x12	ISO 4762
120-6	Screw (pump coupling)	up to 4.0 kW	Galvanized steel	M6x25	ISO 4762
		from 5.5 kW to 7.5 kW		M8x20	ISO 4762
		above 11 kW		M10x30	ISO 4762
120-11	Screw (counterflange)	A2-70			
120-13	Screw for motor	MEC 80	Galvanized steel 8.8 strength class ISO 898/1	M6x20	ISO 4017
		MEC 90-100-112		M8x20	ISO 4017
		MEC 132		M12x40	ISO 4017
		MEC 160		M16x50	ISO 4017
128-1	Nut (tie rod)	A2-70		M12	ISO 4032
128-3	Nut (motor)	MEC 132	Galvanized steel	M12	ISO 4032
		MEC 160		M16	ISO 4032
128-5	Nut (tie rod)	A2-70		M12	UNI 7474
128-6	Nut (aluminium coupling)	MEC 71-80-90-100-112	Galvanized steel	M6	ISO 4032
130-1	Set screw	EN 1.4301 (AISI 304)		M5x8	ISO 4026
130-2	Screw for coupling guard	A2-70		M5x6	UNI 7687
131-1	Pin for shaft	Carbon Steel		Ø5x35	ISO 2338
135-1	Washer (tie rod)	EN 1.4301 (AISI 304)		Ø13x24x2.5	ISO 7089
135-6	Washer (aluminium coupling)	up to 4.0 kW	Carbon Steel	Ø6	
137-1	Impeller spacer	EN 1.4301 (AISI 304)	EN 1.4404 (AISI 316L)		
140	Coupling	up to 4.0 kW	Die cast Aluminium EN AB-AISI11 Cu2 (Fe)		
160	Base	above 5.5 kW	Cast Iron		
			Die cast Aluminium EN AB-AISI11 Cu2 (Fe)		
162	Motor bracket	Cast iron EN-GJL-250			
212	Priming plug	EN 1.4301 (AISI 304)	EN 1.4404 (AISI 316L)	G 3/8	
212-1	Drainage plug	EN 1.4301 (AISI 304)	EN 1.4404 (AISI 316L)	G 3/8	
212-2	Venting plug	EN 1.4404 (AISI 316L)			
219	Counter flange	flange type: N	EN 1.4308 (ASTM CF8)	EN 1.4408 (ASTM CF8M)	
		flange type: LF-F-V-C	EN 1.4301 (AISI 304)	EN 1.4404 (AISI 316L)	
245	Coupling guard	EN 1.4301 (AISI 304)			
273-1	Washer (drainage plug)	EN 1.4301 (AISI 304)	EN 1.4404 (AISI 316L)		
615	Flange	Carbon Steel			

QUANTITY FOR MODEL EVMS(L)15

Pump Type	N°																															
	4	5-1	52	53	54	6	7	21	31***	32-1	432	433	434	436	44-1	45**	46	47	48	52-1	75	75-1	107	111	111-3	111-4	111-5	115-1	115-3*	115-4	115-5	
EVMS(L)15 1/1.1	1	1	/	1	1	1	1	1	1	1	/	1	1	1	1	4	2	1	1	1	1	2	1	1	1	1	1	1	2	2	1	1
EVMS(L)15 2/2.2	1	1	/	1	1	1	1	2	1	1	/	1	1	/	1	4	2	1	1	1	1	2	2	1	1	1	1	1	2	2	1	1
EVMS(L)15 3/3.0	1	1	1	1	1	1	1	3	1	1	1	3	1	/	1	4	2	1	1	1	1	2	3	1	1	1	1	1	2	2	1	1
EVMS(L)15 4/4.0	1	1	2	1	1	1	1	4	1	1	2	5	1	/	1	4	2	1	1	1	1	2	4	1	1	1	1	1	2	2	1	1
EVMS(L)15 5/5.5	1	1	3	1	1	1	1	5	1	1	3	7	1	/	1	4	2	1	1	1	1	2	5	1	1	1	1	1	2	2	1	1
EVMS(L)15 6/5.5	1	1	4	1	1	1	1	6	1	1	4	9	1	/	1	4	2	1	1	1	1	2	6	1	1	1	1	1	2	2	1	1
EVMS(L)15 7/7.5	1	1	4	2	1	1	1	7	1	1	4	9	2	/	2	4	2	1	1	2	1	2	7	1	1	1	1	1	2	2	1	1
EVMS(L)15 8/7.5	1	1	5	2	1	1	1	8	1	1	5	11	2	/	2	4	2	1	1	2	1	2	8	1	1	1	1	1	2	2	1	1
EVMS(L)15 9/11	1	1	6	2	1	1	1	9	1	1	6	13	2	/	2	4	2	1	1	2	1	2	9	1	1	1	1	1	2	2	1	1
EVMS(L)15 10/11	1	1	7	2	1	1	1	10	1	1	7	15	2	/	2	4	2	1	1	2	1	2	10	1	1	1	1	1	2	2	1	1
EVMS(L)15 11/11	1	1	8	2	1	1	1	11	1	1	8	17	2	/	2	4	2	1	1	2	1	2	11	1	1	1	1	1	2	2	1	1
EVMS(L)15 12/11	1	1	9	2	1	1	1	12	1	1	9	19	2	/	2	4	2	1	1	2	1	2	12	1	1	1	1	1	2	/	1	1
EVMS(L)15 13/11	1	1	10	2	1	1	1	13	1	1	10	21	2	/	2	4	2	1	1	2	1	2	13	1	1	1	1	1	2	/	1	1
EVMS(L)15 15/15	1	1	12	2	1	1	1	15	1	1	12	25	2	/	2	4	2	1	1	2	1	2	15	1	1	1	1	1	2	/	1	1
EVMS(L)15 17/15	1	1	13	3	1	1	1	17	1	1	13	27	3	/	3	4	2	1	1	3	1	2	17	1	1	1	1	1	2	/	1	1

Pump Type	N°																								
	120-1	120-3	120-6	120-11*	120-13	128-1	128-3	128-5	128-6	130-1	130-2	131-1	135-1	135-6	137-1	140	160	162	212	212-1	212-2	219*	245	273-1	615**
EVMS(L)15 1/1.1	4	4	4	4	4	4	/	4	4	3	4	1	4	4	1	2	1	1	1	2	1	2	2	2	2
EVMS(L)15 2/2.2	4	4	4	4	4	4	/	4	4	3	4	1	4	4	1	2	1	1	1	2	1	2	2	2	2
EVMS(L)15 3/3.0	4	4	4	4	4	4	/	4	4	3	4	1	4	4	1	2	1	1	1	2	1	2	2	2	2
EVMS(L)15 4/4.0	4	4	4	4	4	4	/	4	4	3	4	1	4	4	1	2	1	1	1	2	1	2	2	2	2
EVMS(L)15 5/5.5	4	4	4	4	4	4	4	4	/	3	4	1	4	/	1	2	1	1	1	2	1	2	2	2	2
EVMS(L)15 6/5.5	4	4	4	4	4	4	4	4	/	3	4	1	4	/	1	2	1	1	1	2	1	2	2	2	2
EVMS(L)15 7/7.5	4	4	4	4	4	4	4	4	/	3	4	1	4	/	1	2	1	1	1	2	1	2	2	2	2
EVMS(L)15 8/7.5	4	4	4	4	4	4	4	4	/	3	4	1	4	/	1	2	1	1	1	2	1	2	2	2	2
EVMS(L)15 9/11	4	4	4	4	4	4	4	4	/	3	4	1	4	/	1	2	1	1	1	2	1	2	2	2	2
EVMS(L)15 10/11	4	4	4	4	4	4	4	4	/	3	4	1	4	/	1	2	1	1	1	2	1	2	2	2	2
EVMS(L)15 11/11	4	4	4	4	4	4	4	4	/	3	4	1	4	/	1	2	1	1	1	2	1	2	2	2	2
EVMS(L)15 12/11	4	4	4	/	4	4	4	4	/	3	4	1	4	/	1	2	1	1	1	2	1	/	2	2	2
EVMS(L)15 13/11	4	4	4	/	4	4	4	4	/	3	4	1	4	/	1	2	1	1	1	2	1	/	2	2	2
EVMS(L)15 15/15	4	4	4	/	4	4	4	4	/	3	4	1	4	/	1	2	1	1	1	2	1	/	2	2	2
EVMS(L)15 17/15	4	4	4	/	4	4	4	4	/	3	4	1	4	/	1	2	1	1	1	2	1	/	2	2	2

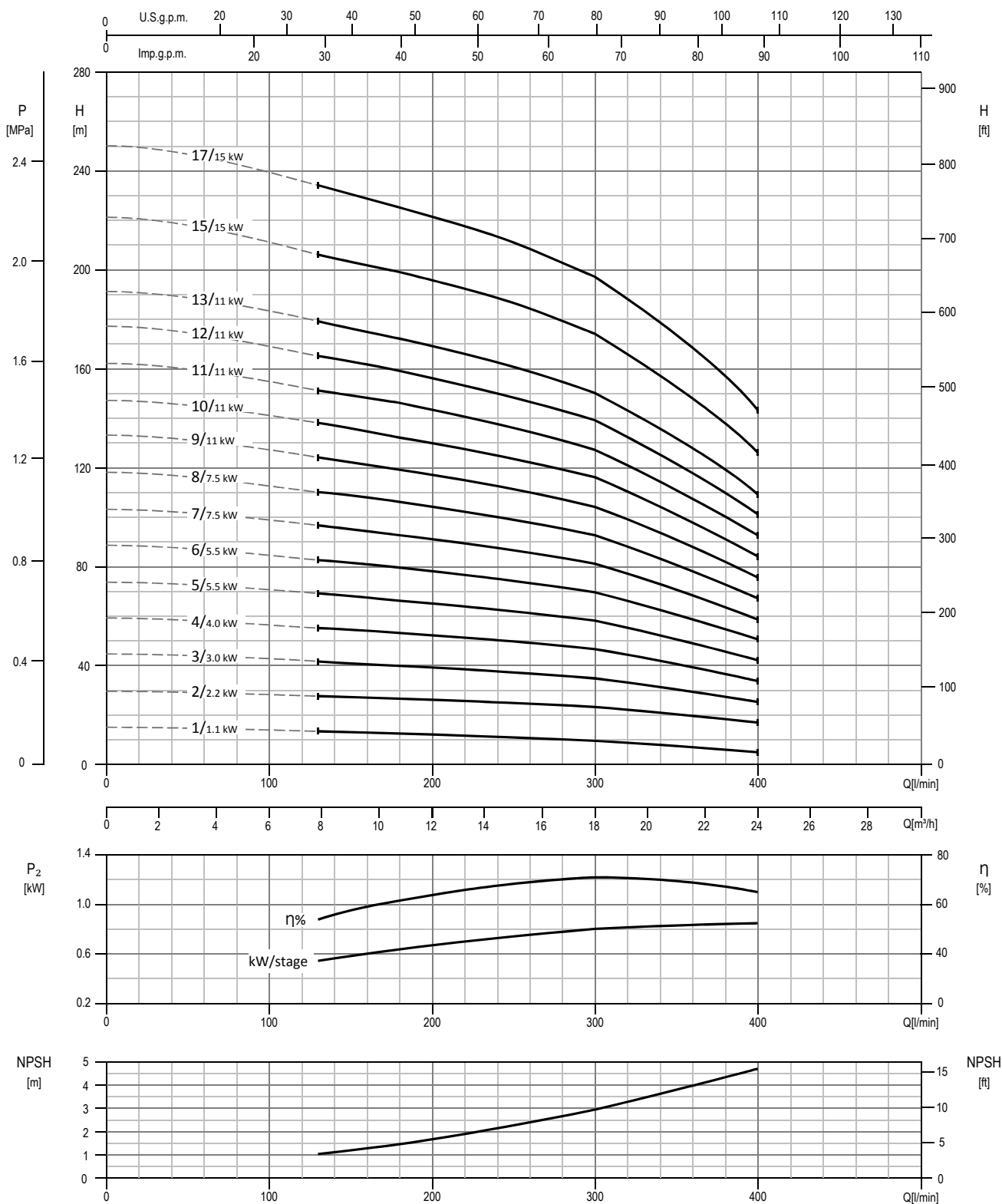
* only for Oval flange (N)

** only for Loose round flange (LF)

** shaft in EN 1.4462 (AISI 329A)

128-6 / 135-6: with Aluminium coupling (see drawing pag.18)

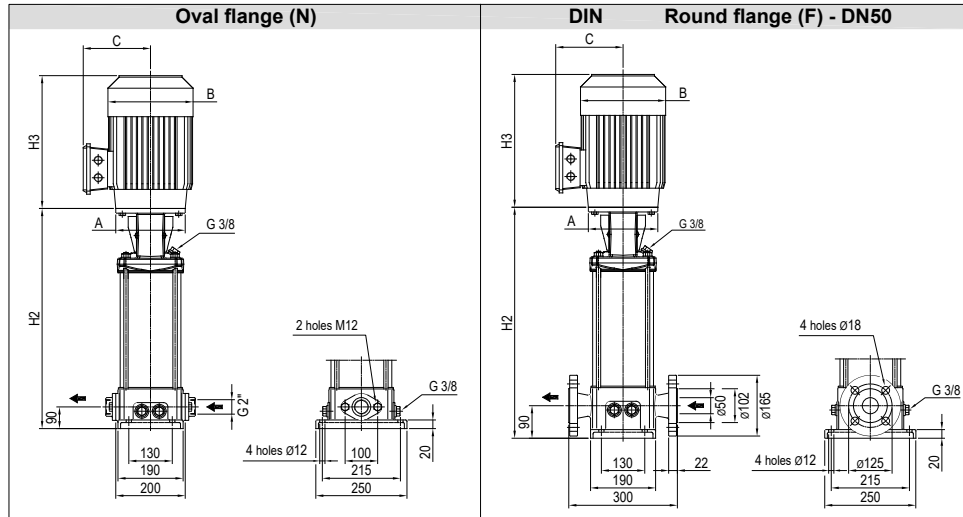
PERFORMANCE CURVE
EVMSG15



Test standard: ISO 9906:2012 - Grade 3B

TECHNICAL DATA EVMSG15

Dimensional sketch



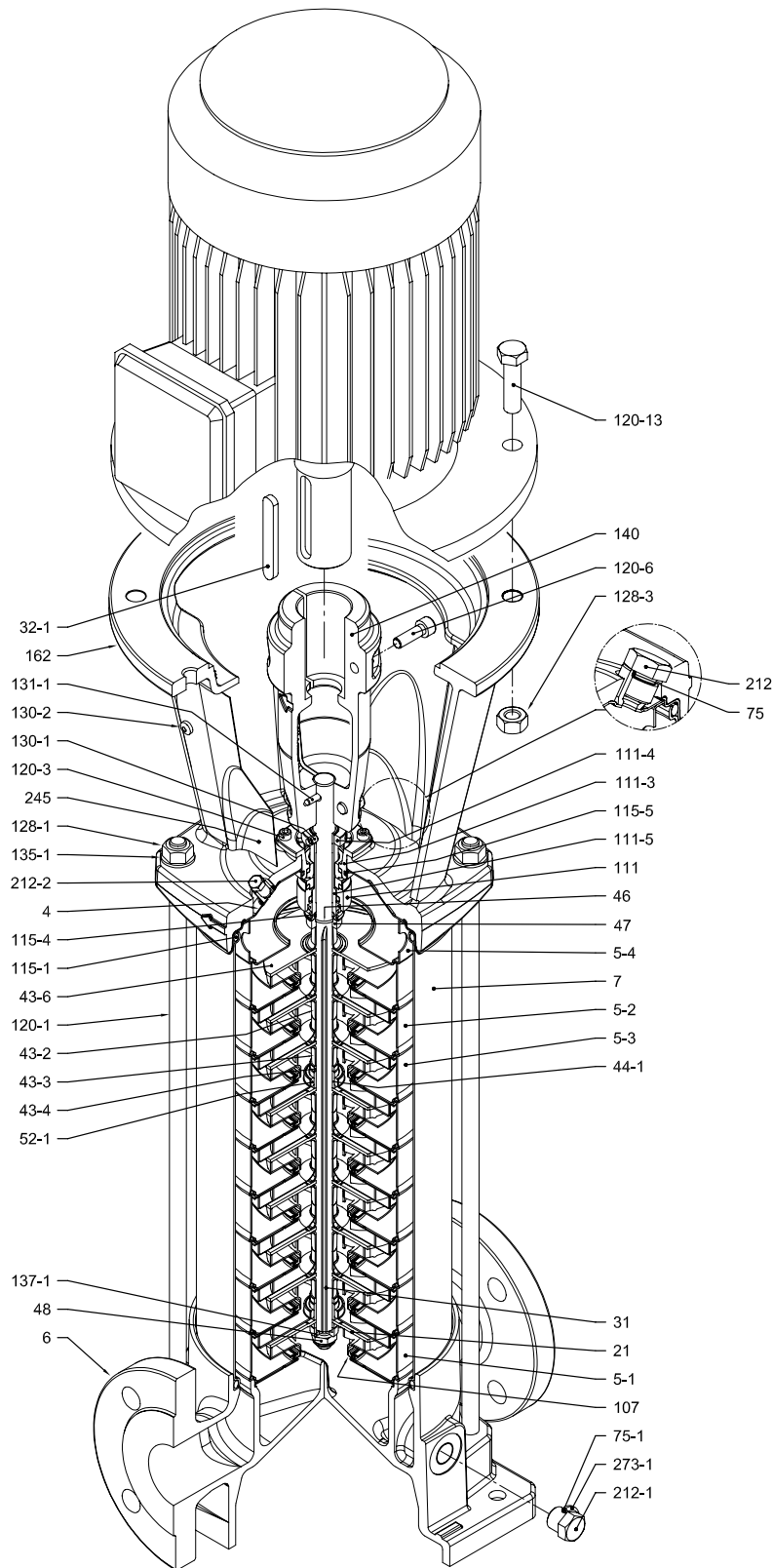
Dimensions [mm] and Weights [Kg]

Pump Type	Pmax [MPa]	Motor				Oval flange (N)						Round flange (F)								
		kW	Size	1~		3~		H2	H2+H3		Weight Pump		H2	H2+H3		Weight Pump		Weight Pump + Motor		
				A	B	C	B		C	1~	3~	1~		3~	1~	3~	1~	3~		
EVMSG15 1/1.1	1.6	1.1	80	120	157	149	141	102	377	609	621	22.4	34.4	32.4	377	609	621	26.9	38.9	36.9
EVMSG15 2/2.2	1.6	2.2	90	140	172	140	160	119	387	703	678	22.6	51.0	37.6	387	703	678	27.2	51.0	42.2
EVMSG15 3/3.0	1.6	3.0	100	160	-	-	176	123	437	-	779	24.0	-	46.0	437	-	779	28.5	-	50.5
EVMSG15 4/4.0	1.6	4.0	112	160	-	-	193	138	477	-	841	25.2	-	53.7	477	-	841	29.7	-	58.2
EVMSG15 5/5.5	1.6	5.5	132	300	-	-	220	152	614	-	1013	34.9	-	73.9	614	-	1013	39.5	-	78.5
EVMSG15 6/5.5	1.6	5.5	132	300	-	-	220	152	654	-	1053	36.1	-	75.1	654	-	1053	40.7	-	79.7
EVMSG15 7/7.5	1.6	7.5	132	300	-	-	220	152	694	-	1113	38.3	-	84.3	694	-	1113	42.9	-	88.9
EVMSG15 8/7.5	1.6	7.5	132	300	-	-	220	152	734	-	1153	39.6	-	85.6	734	-	1153	44.2	-	90.2
EVMSG15 9/11	1.6	11	160	350	-	-	259	180	804	-	1244	40.9	-	103.4	804	-	1244	45.5	-	108.0
EVMSG15 10/11	1.6	11	160	350	-	-	259	180	844	-	1284	42.2	-	104.7	844	-	1284	46.8	-	109.3
EVMSG15 11/11	1.6	11	160	350	-	-	259	180	884	-	1324	50.2	-	112.7	884	-	1324	54.7	-	117.2
EVMSG15 12/11	2.5	11	160	350	-	-	259	180	-	-	-	-	-	924	-	1364	56.0	-	118.5	
EVMSG15 13/11	2.5	11	160	350	-	-	259	180	-	-	-	-	-	964	-	1404	57.3	-	119.8	
EVMSG15 15/15	2.5	15	160	350	-	-	311	240	-	-	-	-	-	1044	-	1539	59.9	-	160.9	
EVMSG15 17/15	2.5	15	160	350	-	-	311	240	-	-	-	-	-	1124	-	1619	62.8	-	163.8	

1.6 MPa=16 bar; 2.5 MPa=25 bar
- not available model

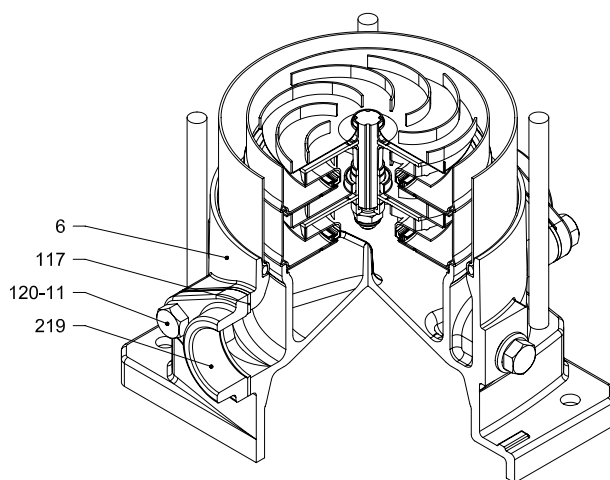
SECTIONAL VIEW
EVMSG15

EVMSG15



with Round flange (F)

PIPE CONNECTION EVMSG15



with Oval flange (N)

SECTIONAL TABLE
EVMSG15

N°	PART NAME	MATERIAL EVMSG	DIMENSIONS	STANDARD	
4	Casing cover	EN 1.4301 (AISI 304)			
5-1	Suction casing	EN 1.4301 (AISI 304)			
5-2	Intermediate casing	EN 1.4301 (AISI 304)			
5-3	Intermediate casing with bearing	EN 1.4301 (AISI 304)			
5-4	Discharge casing	EN 1.4301 (AISI 304)			
6	Bottom casing	Cast Iron EN-GJL-250			
7	Outer casing	EN 1.4301 (AISI 304)			
21	Impeller	EN 1.4301 (AISI 304)			
31	Shaft	EN 1.4301 (AISI 304) - EN 1.4462 (AISI 329A)			
32-1	Adjuster key	EN 1.4301 (AISI 304)			
43-2	Shaft sleeve (intermediate)	EN 1.4301 (AISI 304)			
43-3	Shaft sleeve (bearing + discharge casing)	EN 1.4301 (AISI 304)			
43-4	Shaft sleeve (adjustment)	EN 1.4301 (AISI 304)			
43-6	Washer	EN 1.4404 (AISI 316L)	Ø26x2.5		
44-1	Shaft sleeve bearing	Tungsten carbide			
46	Ring (mechanical seal)	EN 1.4404 (AISI 316L)			
47	Ring holder	EN 1.4404 (AISI 316L)			
48	Impeller nut	EN 1.4301 (AISI 304) with inox insert	M10		
52-1	Sleeve bearing	Tungsten carbide			
75	O-Ring (priming plug)	EPDM / FPM	Ø12.37x2.62	OR 3050	
75-1	O-Ring (drainage plug)	EPDM / FPM			
107	Liner ring	EN 1.4301 (AISI 304) + PPS			
111	Mechanical seal	see pages 6-7			
111-3	Mechanical seal seat	EN 1.4308 (ASTM CF8)			
111-4	Seal holder	EN 1.4301 (AISI 304)			
111-5	Mechanical seal cartridge sleeve	EN 1.4301 (AISI 304)			
115-1	O-Ring (outer casing)	EPDM / FPM	Ø164.46x5.34	OR 6645	
115-4	O-Ring (cartridge sleeve)	EPDM / FPM	Ø15.88x2.62	OR 121	
115-5	O-Ring (seal flange)	EPDM / FPM	Ø37.77x2.62	OR 3150	
117	Flange gasket	EPDM / FPM			
120-1	Tie-rod	EN 1.4057 (AISI 431)	M12		
120-3	Screw (seal flange)	A2-70	M5x12	ISO 4762	
120-6	Screw (pump coupling)	Galvanized steel 6.8 strenght class ISO 898/1	up to 4.0 kW	M6x25	ISO 4762
			from 5.5 kW to 7.5 kW	M8x20	ISO 4762
			above 11 kW	M10x30	ISO 4762
120-11	Screw (counterflange)	A2-70			
120-13	Screw for motor	Galvanized steel 8.8 strength class ISO 898/1	MEC 80	M6x20	ISO 4017
			MEC 90-100-112	M8x20	ISO 4017
			MEC 132	M12x40	ISO 4017
			MEC 160	M16x50	ISO 4017
128-1	Nut (tie rod)	A2-70	M12	ISO 4032	
128-3	Nut (motor)	Galvanized steel	MEC 132	M12	ISO 4032
			MEC 160	M16	ISO 4032
128-6	Nut (aluminium coupling)	Galvanized steel	M6	ISO 4032	
130-1	Set screw	EN 1.4301 (AISI 304)	M5x8	ISO 4026	
130-2	Screw for coupling guard	A2-70	M5x6	UNI 7687	
131-1	Pin for shaft	Carbon Steel	Ø5x35	ISO 2338	
135-1	Washer (tie rod)	EN 1.4301 (AISI 304)	Ø13x24x2.5	ISO 7089	
135-6	Washer (aluminium coupling)	Carbon Steel	Ø6		
137-1	Impeller spacer	EN 1.4301 (AISI 304)			
140	Coupling	up to 4.0 kW	Die cast Aluminium EN AB-AISI11Cu2 (Fe)		
		above 5.5 kW	Cast Iron		
162	Motor bracket	Cast iron EN-GJL-250			
212	Priming plug	EN 1.4301 (AISI 304)	G 3/8		
212-1	Drainage plug	EN 1.4301 (AISI 304)	G 3/8		
212-2	Venting plug	EN 1.4404 (AISI 316L)			
219	Counter flange	flange type: N	Galvanized steel		
		flange type: F	Cast Iron EN-GJL-250		
245	Coupling guard	EN 1.4301 (AISI 304)			
273-1	Washer (drainage plug)	EN 1.4301 (AISI 304)			

QUANTITY FOR MODEL EVMSG15

Pump Type	N°																													
	4	5-1	52	53	54	6	7	21	31***	32-1	432	433	434	436	44-1	46	47	48	52-1	75	75-1	107	111	111-3	111-4	111-5	115-1	115-4	115-5	
EVMSG15 1/1.1	1	1	/	1	1	1	1	1	1	1	/	2	1	1	1	2	1	1	1	1	1	4	1	1	1	1	1	2	1	1
EVMSG15 2/2.2	1	1	/	1	1	1	1	2	1	1	/	2	1	/	1	2	1	1	1	1	1	4	2	1	1	1	1	2	1	1
EVMSG15 3/3.0	1	1	1	1	1	1	1	3	1	1	1	2	1	/	1	2	1	1	1	1	1	4	3	1	1	1	1	2	1	1
EVMSG15 4/4.0	1	1	2	1	1	1	1	4	1	1	2	2	1	/	1	2	1	1	1	1	1	4	4	1	1	1	1	2	1	1
EVMSG15 5/5.5	1	1	3	1	1	1	1	5	1	1	3	2	1	/	1	2	1	1	1	1	1	4	5	1	1	1	1	2	1	1
EVMSG15 6/5.5	1	1	4	1	1	1	1	6	1	1	4	2	1	/	1	2	1	1	1	1	1	4	6	1	1	1	1	2	1	1
EVMSG15 7/7.5	1	1	4	2	1	1	1	7	1	1	4	3	2	/	2	2	1	1	2	1	4	7	1	1	1	1	1	2	1	1
EVMSG15 8/7.5	1	1	5	2	1	1	1	8	1	1	5	3	2	/	2	2	1	1	2	1	4	8	1	1	1	1	1	2	1	1
EVMSG15 9/11	1	1	6	2	1	1	1	9	1	1	6	3	2	/	2	2	1	1	2	1	4	9	1	1	1	1	1	2	1	1
EVMSG15 10/11	1	1	7	2	1	1	1	10	1	1	7	3	2	/	2	2	1	1	2	1	4	10	1	1	1	1	1	2	1	1
EVMSG15 11/11	1	1	8	2	1	1	1	11	1	1	8	3	2	/	2	2	1	1	2	1	4	11	1	1	1	1	1	2	1	1
EVMSG15 12/11	1	1	9	2	1	1	1	12	1	1	9	3	2	/	2	2	1	1	2	1	4	12	1	1	1	1	1	2	1	1
EVMSG15 13/11	1	1	10	2	1	1	1	13	1	1	10	3	2	/	2	2	1	1	2	1	4	13	1	1	1	1	1	2	1	1
EVMSG15 15/15	1	1	12	2	1	1	1	15	1	1	12	3	2	/	2	2	1	1	2	1	4	15	1	1	1	1	1	2	1	1
EVMSG15 17/15	1	1	13	3	1	1	1	17	1	1	13	4	3	/	3	2	1	1	3	1	4	17	1	1	1	1	1	2	1	1

Pump Type	N°																						
	117*	120-1	120-3	120-6	120-11*	120-13	128-1	128-3	128-6	130-1	130-2	131-1	135-1	135-6	137-1	140	162	212	212-1	212-2	219*	245	273-1
EVMSG15 1/1.1	2	4	4	4	4	4	4	/	4	3	4	1	4	4	1	2	1	1	4	1	2	2	4
EVMSG15 2/2.2	2	4	4	4	4	4	4	/	4	3	4	1	4	4	1	2	1	1	4	1	2	2	4
EVMSG15 3/3.0	2	4	4	4	4	4	4	/	4	3	4	1	4	4	1	2	1	1	4	1	2	2	4
EVMSG15 4/4.0	2	4	4	4	4	4	4	/	4	3	4	1	4	4	1	2	1	1	4	1	2	2	4
EVMSG15 5/5.5	2	4	4	4	4	4	4	/	3	4	1	4	/	1	2	1	1	4	1	2	2	4	
EVMSG15 6/5.5	2	4	4	4	4	4	4	/	3	4	1	4	/	1	2	1	1	4	1	2	2	4	
EVMSG15 7/7.5	2	4	4	4	4	4	4	/	3	4	1	4	/	1	2	1	1	4	1	2	2	4	
EVMSG15 8/7.5	2	4	4	4	4	4	4	/	3	4	1	4	/	1	2	1	1	4	1	2	2	4	
EVMSG15 9/11	2	4	4	4	4	4	4	/	3	4	1	4	/	1	2	1	1	4	1	2	2	4	
EVMSG15 10/11	2	4	4	4	4	4	4	/	3	4	1	4	/	1	2	1	1	4	1	2	2	4	
EVMSG15 11/11	2	4	4	4	4	4	4	/	3	4	1	4	/	1	2	1	1	4	1	2	2	4	
EVMSG15 12/11	/	4	4	4	/	4	4	/	3	4	1	4	/	1	2	1	1	4	1	/	2	4	
EVMSG15 13/11	/	4	4	4	/	4	4	/	3	4	1	4	/	1	2	1	1	4	1	/	2	4	
EVMSG15 15/15	/	4	4	4	/	4	4	/	3	4	1	4	/	1	2	1	1	4	1	/	2	4	
EVMSG15 17/15	/	4	4	4	/	4	4	/	3	4	1	4	/	1	2	1	1	4	1	/	2	4	

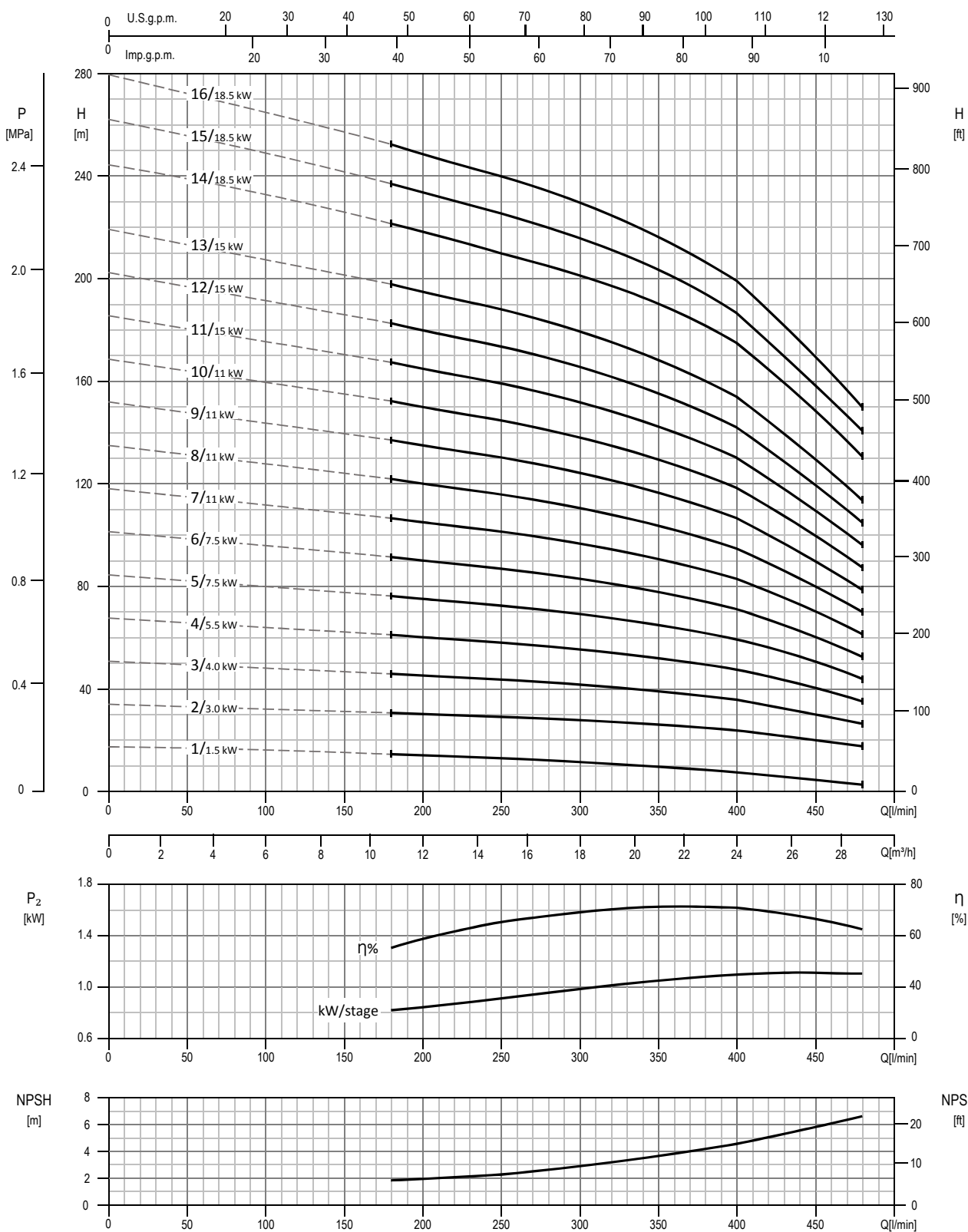
* only for Oval flange (N)

*** shaft in EN 1.4462 (AISI 329A)

128-6 / 135-6: with Aluminium coupling (see drawing pag.18)

PERFORMANCE CURVE
EVMS(L)20

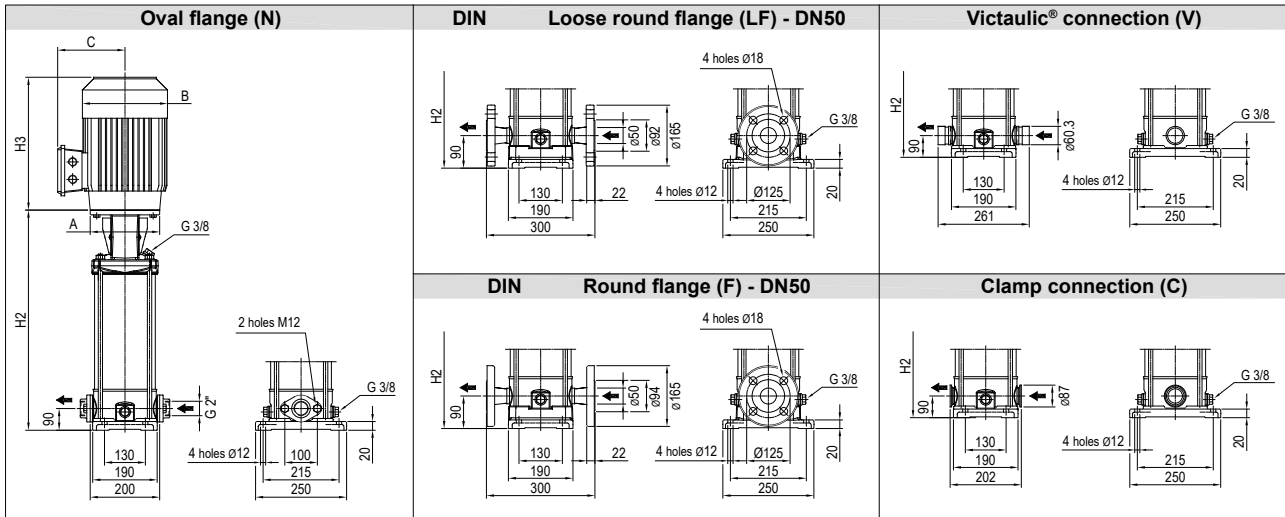
EVMS(L)20



Test standard: ISO 9906:2012 - Grade 3B

TECHNICAL DATA EVMS(L)20

Dimensional sketch



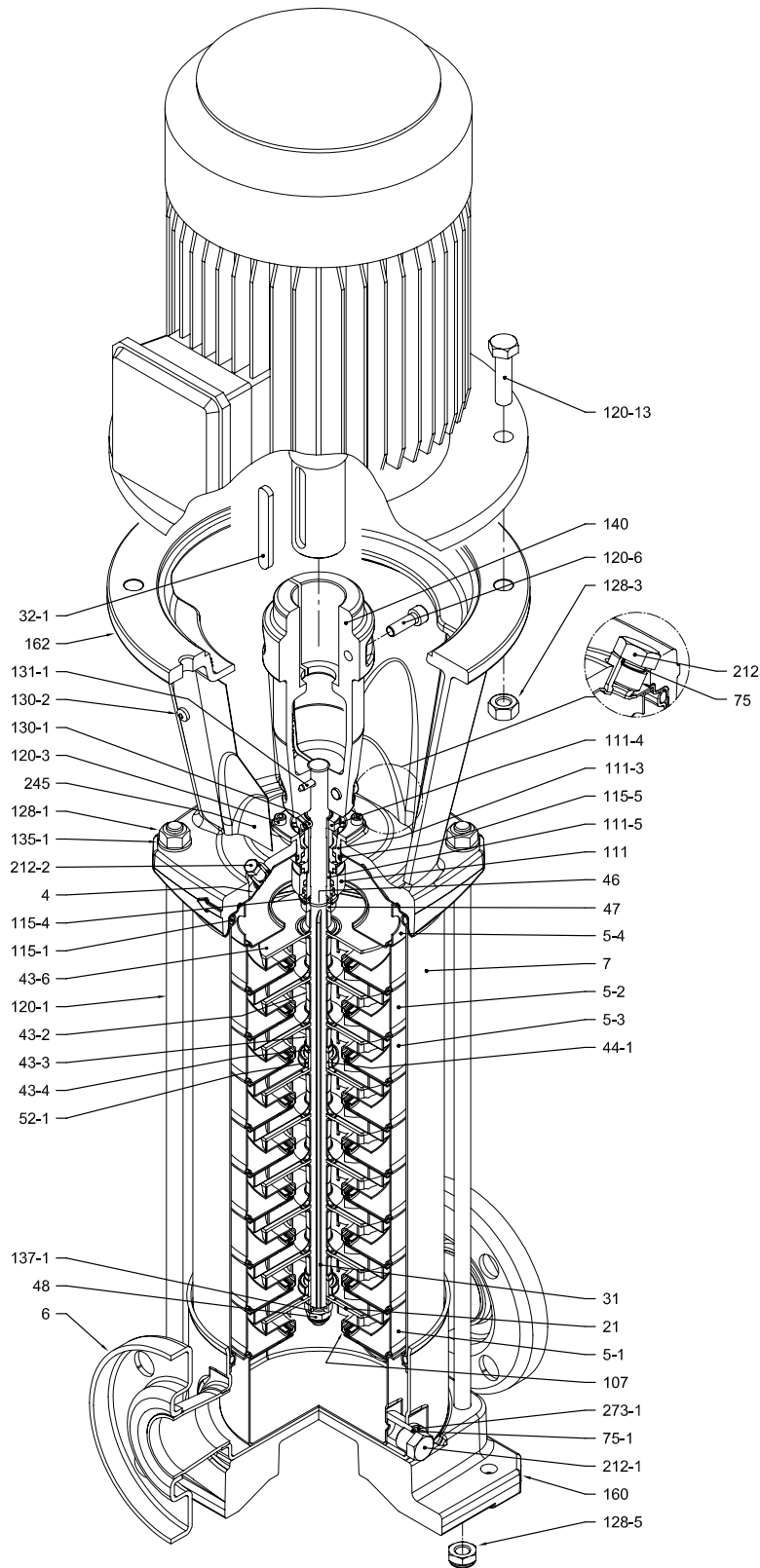
Dimensions [mm] and Weights [Kg]

Pump Type	P _{max} [MPa]	kW	Motor				Oval flange (N)				Loose round flange (LF) Round flange (F)				Victaulic® connection (V) Clamp connection (C)											
			Size	1~		3~		H2	H2+H3		Weight Pump	Weight Pump + Motor		H2	H2+H3		Weight Pump	Weight Pump + Motor								
				A	B	C	B		C	1~		3~	1~		3~	1~		3~	1~	3~	1~	3~				
EVMS(L)20 1/1.5	1.6	1.5	90	140	172	140	160	119	387	665	678	18.2	36.0	31.7	387	665	678	20.0	37.8	33.5	387	665	678	17.1	34.9	30.6
EVMS(L)20 2/3.0	1.6	3.0	100	160	-	-	176	123	397	-	739	18.3	-	40.3	397	-	739	19.1	-	41.1	397	-	739	17.2	-	39.2
EVMS(L)20 3/4.0	1.6	4.0	112	160	-	-	193	138	437	-	801	19.7	-	48.2	437	-	801	20.5	-	49.0	437	-	801	18.6	-	47.1
EVMS(L)20 4/5.5	1.6	5.5	132	300	-	-	220	152	574	-	973	25.6	-	64.6	574	-	973	26.4	-	65.4	574	-	973	24.5	-	63.5
EVMS(L)20 5/7.5	1.6	7.5	132	300	-	-	220	152	614	-	1033	26.9	-	72.9	614	-	1033	27.7	-	73.7	614	-	1033	25.8	-	71.8
EVMS(L)20 6/7.5	1.6	7.5	132	300	-	-	220	152	654	-	1073	28.1	-	74.1	654	-	1073	28.9	-	74.9	654	-	1073	27.0	-	73.0
EVMS(L)20 7/11	1.6	11	160	350	-	-	259	180	724	-	1164	30.4	-	92.9	724	-	1164	31.2	-	93.7	724	-	1164	29.3	-	91.8
EVMS(L)20 8/11	1.6	11	160	350	-	-	259	180	764	-	1204	42.2	-	104.7	764	-	1204	43.0	-	105.5	764	-	1204	41.1	-	103.6
EVMS(L)20 9/11	1.6	11	160	350	-	-	259	180	804	-	1244	43.5	-	106.0	804	-	1244	44.3	-	106.8	804	-	1244	42.4	-	104.9
EVMS(L)20 10/11	2.5	11	160	350	-	-	259	180	-	-	-	-	-	844	-	1284	45.7	-	108.2	844	-	1284	43.8	-	106.3	
EVMS(L)20 11/15	2.5	15	160	350	-	-	311	240	-	-	-	-	-	884	-	1379	47.0	-	148.0	884	-	1379	45.1	-	146.1	
EVMS(L)20 12/15	2.5	15	160	350	-	-	311	240	-	-	-	-	-	924	-	1419	48.3	-	149.3	924	-	1419	46.4	-	147.4	
EVMS(L)20 13/15	2.5	15	160	350	-	-	311	240	-	-	-	-	-	964	-	1459	49.6	-	150.6	964	-	1459	47.7	-	148.7	
EVMS(L)20 14/18.5	2.5	18.5	160	350	-	-	311	240	-	-	-	-	-	1004	-	1499	51.0	-	160.0	1004	-	1499	49.1	-	158.1	
EVMS(L)20 15/18.5	2.5	18.5	160	350	-	-	311	240	-	-	-	-	-	1044	-	1539	52.3	-	161.3	1044	-	1539	50.4	-	159.4	
EVMS(L)20 16/18.5	2.5	18.5	160	350	-	-	311	240	-	-	-	-	-	1084	-	1579	53.6	-	162.6	1084	-	1579	51.7	-	160.7	

1.6 MPa=16 bar; 2.5 MPa=25 bar
- not available model

SECTIONAL VIEW
EVMS(L)20

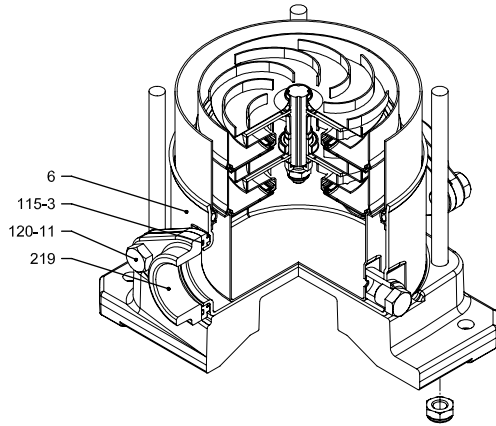
EVMS(L)20



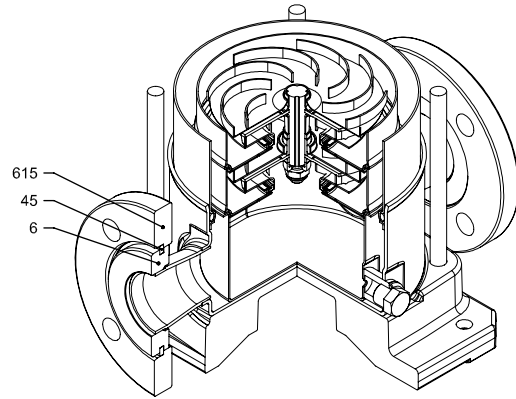
with Round flange (F)

PIPE CONNECTION EVMS(L)20

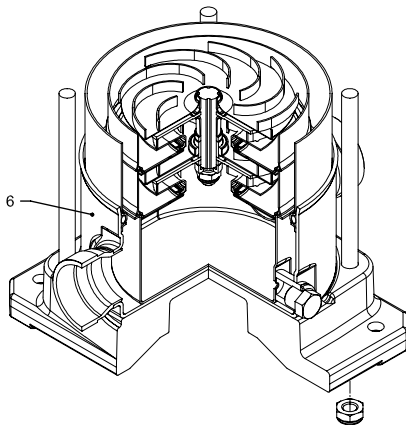
EVMS(L)20



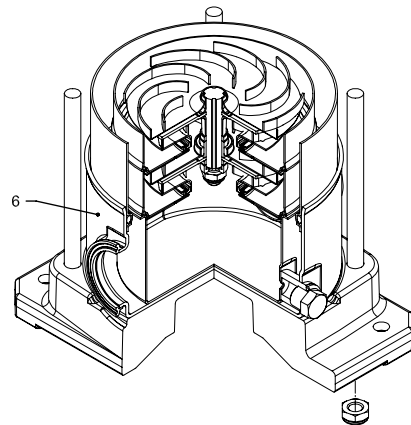
with Oval flange (N)



with Loose round flange (LF)



with Victaulic® connection (V)



with Clamp connection (C)

SECTIONAL TABLE
EVMS(L)20

N°	PART NAME	MATERIAL		DIMENSIONS	STANDARD
		EVMS	EVMSL		
4	Casing cover	EN 1.4301 (AISI 304)	EN 1.4404 (AISI 316L)		
5-1	Suction casing	EN 1.4301 (AISI 304)	EN 1.4404 (AISI 316L)		
5-2	Intermediate casing	EN 1.4301 (AISI 304)	EN 1.4404 (AISI 316L)		
5-3	Intermediate casing with bearing	EN 1.4301 (AISI 304)	EN 1.4404 (AISI 316L)		
5-4	Discharge casing	EN 1.4301 (AISI 304)	EN 1.4404 (AISI 316L)		
6	Bottom casing	EN 1.4301 (AISI 304)	EN 1.4404 (AISI 316L)		
7	Outer casing	EN 1.4301 (AISI 304)	EN 1.4404 (AISI 316L)		
21	Impeller	EN 1.4301 (AISI 304)	EN 1.4404 (AISI 316L)		
31	Shaft	EN 1.4301 (AISI 304) - EN 1.4462 (AISI 329A)	EN 1.4404 (AISI 316L) - EN 1.4462 (AISI 329A)		
32-1	Adjuster key	EN 1.4301 (AISI 304)			
43-2	Shaft sleeve (intermediate)	EN 1.4301 (AISI 304)	EN 1.4404 (AISI 316L)		
43-3	Shaft sleeve (bearing + discharge casing)	EN 1.4301 (AISI 304)	EN 1.4404 (AISI 316L)		
43-4	Shaft sleeve (adjustment)	EN 1.4301 (AISI 304)	EN 1.4404 (AISI 316L)		
43-6	Washer	EN 1.4404 (AISI 316L)		Ø26x2.5	
44-1	Shaft sleeve bearing	Tungsten carbide			
45	Flange holder	EN 1.4301 (AISI 304)			
46	Ring (mechanical seal)	EN 1.4404 (AISI 316L)			
47	Ring holder	EN 1.4301 (AISI 304)	EN 1.4404 (AISI 316L)		
48	Impeller nut	EN 1.4301 (AISI 304) with inox insert	EN 1.4401 (AISI 316) with inox insert	M10	
52-1	Sleeve bearing	Tungsten carbide			
75	O-Ring (priming plug)	EPDM / FPM		Ø12.37x2.62	OR 3050
75-1	O-Ring (drainage plug)	EPDM / FPM			
107	Liner ring	EN 1.4301 (AISI 304) + PPS	EN 1.4404 (AISI 316L) + PPS		
111	Mechanical seal	see pages 6-7			
111-3	Mechanical seal seat	EN 1.4308 (ASTM CF8)	EN 1.4408 (ASTM CF8M)		
111-4	Seal holder	EN 1.4301 (AISI 304)			
111-5	Mechanical seal cartridge sleeve	EN 1.4301 (AISI 304)	EN 1.4404 (AISI 316L)		
115-1	O-Ring (outer casing)	EPDM / FPM		Ø164.46x5.34	OR 6645
115-3	O-Ring	EPDM / FPM			
115-4	O-Ring (cartridge sleeve)	EPDM / FPM		Ø15.88x2.62	OR 121
115-5	O-Ring (seal flange)	EPDM / FPM		Ø37.77x2.62	OR 3150
120-1	Tie-rod	EN 1.4057 (AISI 431)		M12	
120-3	Screw (seal flange)	A2-70		M5x12	ISO 4762
120-6	Screw (pump coupling)	up to 4.0 kW	Galvanized steel	M6x25	ISO 4762
		from 5.5 kW to 7.5 kW		M8x20	ISO 4762
		above 11 kW		M10x30	ISO 4762
120-11	Screw (counterflange)	A2-70			
120-13	Screw for motor	MEC 90-100-112	Galvanized steel 8.8 strength class ISO 898/1	M8x20	ISO 4017
		MEC 132		M12x40	ISO 4017
		MEC 160		M16x50	ISO 4017
128-1	Nut (tie rod)	A2-70		M12	ISO 4032
128-3	Nut (motor)	MEC 132 MEC 160	Galvanized steel	M12	ISO 4032
				M16	ISO 4032
				M12	UNI 7474
128-6	Nut (aluminium coupling)	MEC 71-80-90-100-112	Galvanized steel	M6	ISO 4032
130-1	Set screw	EN 1.4301 (AISI 304)		M5x8	ISO 4026
130-2	Screw for coupling guard	A2-70		M5x6	UNI 7687
131-1	Pin for shaft	Carbon Steel		Ø5x35	ISO 2338
135-1	Washer (tie rod)	EN 1.4301 (AISI 304)		Ø13x24x2.5	ISO 7089
135-6	Washer (aluminium coupling)	up to 4.0 kW	Carbon Steel	Ø6	
137-1	Impeller spacer	EN 1.4301 (AISI 304)	EN 1.4404 (AISI 316L)		
140	Coupling	up to 4.0 kW above 5.5 kW	Die cast Aluminium EN AB-AISI11 Cu2 (Fe) Cast Iron		
160	Base	Die cast Aluminium EN AB-AISI11 Cu2 (Fe)			
162	Motor bracket	Cast iron EN-GJL-250			
212	Priming plug	EN 1.4301 (AISI 304)	EN 1.4404 (AISI 316L)	G 3/8	
212-1	Drainage plug	EN 1.4301 (AISI 304)	EN 1.4404 (AISI 316L)	G 3/8	
212-2	Venting plug	EN 1.4404 (AISI 316L)			
219	Counter flange	flange type: N	EN 1.4308 (ASTM CF8)	EN 1.4408 (ASTM CF8M)	
		flange type: LF-F-V-C	EN 1.4301 (AISI 304)	EN 1.4404 (AISI 316L)	
245	Coupling guard	EN 1.4301 (AISI 304)			
273-1	Washer (drainage plug)	EN 1.4301 (AISI 304)	EN 1.4404 (AISI 316L)		
615	Flange	Carbon Steel			

QUANTITY FOR MODEL EVMS(L)20

Pump Type	N°																														
	4	5-1	52	53	54	6	7	21	31***	32-1	43-2	43-3	43-4	43-6	44-1	45**	46	47	48	52-1	75	75-1	107	111	111-3	111-4	111-5	115-1	115-3*	115-4	115-5
EVMS(L)20 1/1.5	1	1	/	1	1	1	1	1	1	1	1	1	1	1	1	4	2	1	1	1	1	2	1	1	1	1	1	2	2	1	1
EVMS(L)20 2/3.0	1	1	/	1	1	1	1	2	1	1	1	1	1	/	1	4	2	1	1	1	1	2	2	1	1	1	1	2	2	1	1
EVMS(L)20 3/4.0	1	1	1	1	1	1	1	3	1	1	3	1	1	/	1	4	2	1	1	1	1	2	3	1	1	1	1	2	2	1	1
EVMS(L)20 4/5.5	1	1	2	1	1	1	1	4	1	1	5	1	1	/	1	4	2	1	1	1	1	2	4	1	1	1	1	2	2	1	1
EVMS(L)20 5/7.5	1	1	3	1	1	1	1	5	1	1	7	1	1	/	1	4	2	1	1	1	1	2	5	1	1	1	1	2	2	1	1
EVMS(L)20 6/7.5	1	1	4	1	1	1	1	6	1	1	9	1	1	/	1	4	2	1	1	1	1	2	6	1	1	1	1	2	2	1	1
EVMS(L)20 7/11	1	1	4	2	1	1	1	7	1	1	9	2	2	/	2	4	2	1	1	2	1	2	7	1	1	1	1	2	2	1	1
EVMS(L)20 8/11	1	1	5	2	1	1	1	8	1	1	11	2	2	/	2	4	2	1	1	2	1	2	8	1	1	1	1	2	2	1	1
EVMS(L)20 9/11	1	1	6	2	1	1	1	9	1	1	13	2	2	/	2	4	2	1	1	2	1	2	9	1	1	1	1	2	2	1	1
EVMS(L)20 10/11	1	1	7	2	1	1	1	10	1	1	15	2	2	/	2	4	2	1	1	2	1	2	10	1	1	1	1	2	/	1	1
EVMS(L)20 11/15	1	1	8	2	1	1	1	11	1	1	17	2	2	/	2	4	2	1	1	2	1	2	11	1	1	1	1	2	/	1	1
EVMS(L)20 12/15	1	1	9	2	1	1	1	12	1	1	19	2	2	/	2	4	2	1	1	2	1	2	12	1	1	1	1	2	/	1	1
EVMS(L)20 13/15	1	1	10	2	1	1	1	13	1	1	21	2	2	/	2	4	2	1	1	2	1	2	13	1	1	1	1	2	/	1	1
EVMS(L)20 14/18.5	1	1	11	2	1	1	1	14	1	1	23	2	2	/	2	4	2	1	1	2	1	2	14	1	1	1	1	2	/	1	1
EVMS(L)20 15/18.5	1	1	12	2	1	1	1	15	1	1	25	2	2	/	2	4	2	1	1	2	1	2	15	1	1	1	1	2	/	1	1
EVMS(L)20 16/18.5	1	1	13	2	1	1	1	16	1	1	27	2	2	/	2	4	2	1	1	2	1	2	16	1	1	1	1	2	/	1	1

Pump Type	N°																								
	120-1	120-3	120-6	120-11*	120-13	128-1	128-3	128-5	128-6	130-1	130-2	131-1	135-1	135-6	137-1	140	160	162	212	212-1	212-2	219*	245	273-1	615**
EVMS(L)20 1/1.5	4	4	4	4	4	4	/	4	4	3	4	1	4	4	1	2	1	1	1	2	1	2	2	2	2
EVMS(L)20 2/3.0	4	4	4	4	4	4	/	4	4	3	4	1	4	4	1	2	1	1	1	2	1	2	2	2	2
EVMS(L)20 3/4.0	4	4	4	4	4	4	/	4	4	3	4	1	4	4	1	2	1	1	1	2	1	2	2	2	2
EVMS(L)20 4/5.5	4	4	4	4	4	4	4	4	/	3	4	1	4	/	1	2	1	1	1	2	1	2	2	2	2
EVMS(L)20 5/7.5	4	4	4	4	4	4	4	4	/	3	4	1	4	/	1	2	1	1	1	2	1	2	2	2	2
EVMS(L)20 6/7.5	4	4	4	4	4	4	4	4	/	3	4	1	4	/	1	2	1	1	1	2	1	2	2	2	2
EVMS(L)20 7/11	4	4	4	4	4	4	4	4	/	3	4	1	4	/	1	2	1	1	1	2	1	2	2	2	2
EVMS(L)20 8/11	4	4	4	4	4	4	4	4	/	3	4	1	4	/	1	2	1	1	1	2	1	2	2	2	2
EVMS(L)20 9/11	4	4	4	4	4	4	4	4	/	3	4	1	4	/	1	2	1	1	1	2	1	2	2	2	2
EVMS(L)20 10/11	4	4	4	/	4	4	4	4	/	3	4	1	4	/	1	2	1	1	1	2	1	/	2	2	2
EVMS(L)20 11/15	4	4	4	/	4	4	4	4	/	3	4	1	4	/	1	2	1	1	1	2	1	/	2	2	2
EVMS(L)20 12/15	4	4	4	/	4	4	4	4	/	3	4	1	4	/	1	2	1	1	1	2	1	/	2	2	2
EVMS(L)20 13/15	4	4	4	/	4	4	4	4	/	3	4	1	4	/	1	2	1	1	1	2	1	/	2	2	2
EVMS(L)20 14/18.5	4	4	4	/	4	4	4	4	/	3	4	1	4	/	1	2	1	1	1	2	1	/	2	2	2
EVMS(L)20 15/18.5	4	4	4	/	4	4	4	4	/	3	4	1	4	/	1	2	1	1	1	2	1	/	2	2	2
EVMS(L)20 16/18.5	4	4	4	/	4	4	4	4	/	3	4	1	4	/	1	2	1	1	1	2	1	/	2	2	2

* only for Oval flange (N)

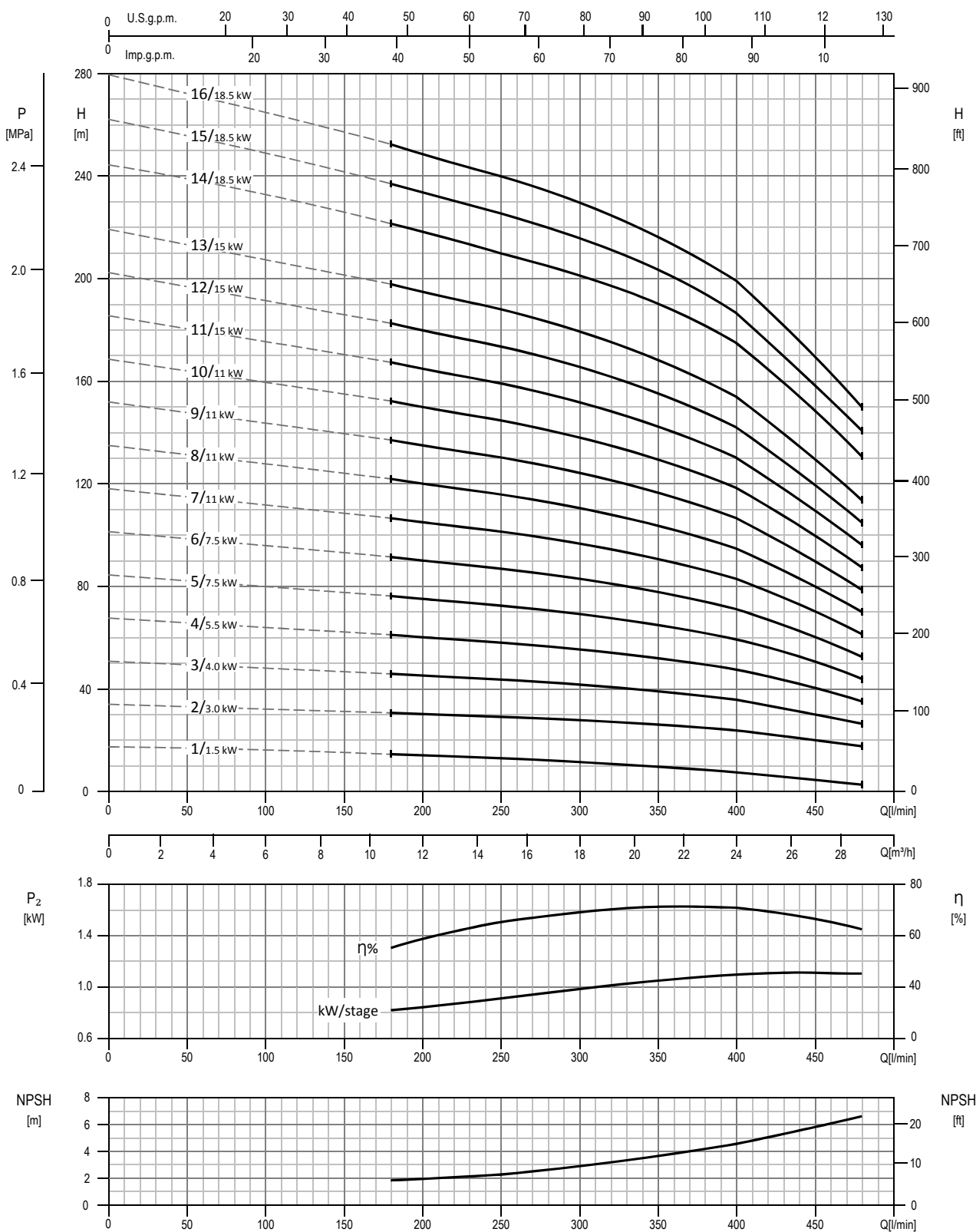
** only for Loose round flange (LF)

*** shaft in EN 1.4462 (AISI 329A)

128-6 / 135-6: with Aluminium coupling (see drawing pag.18)

PERFORMANCE CURVE
EVMSG20

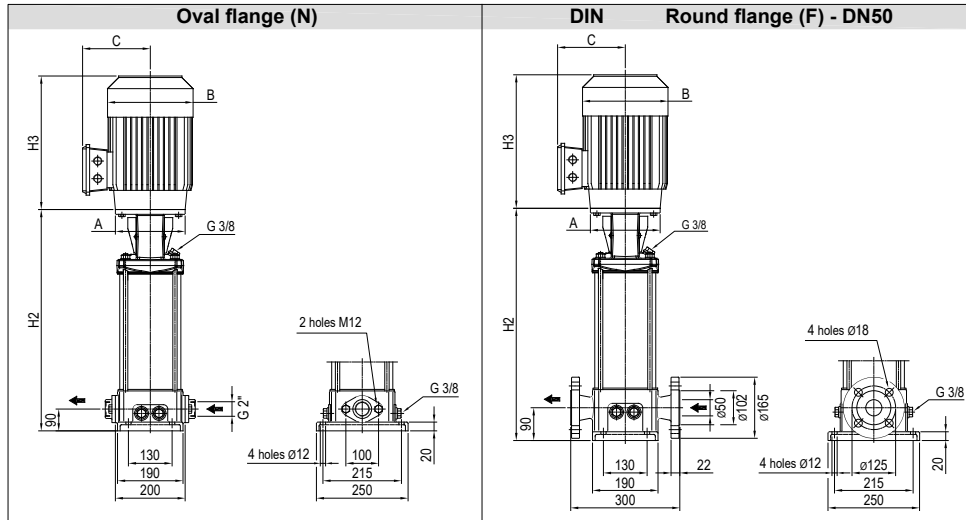
EVMSG20



Test standard: ISO 9906:2012 - Grade 3B

TECHNICAL DATA EVMSG20

Dimensional sketch

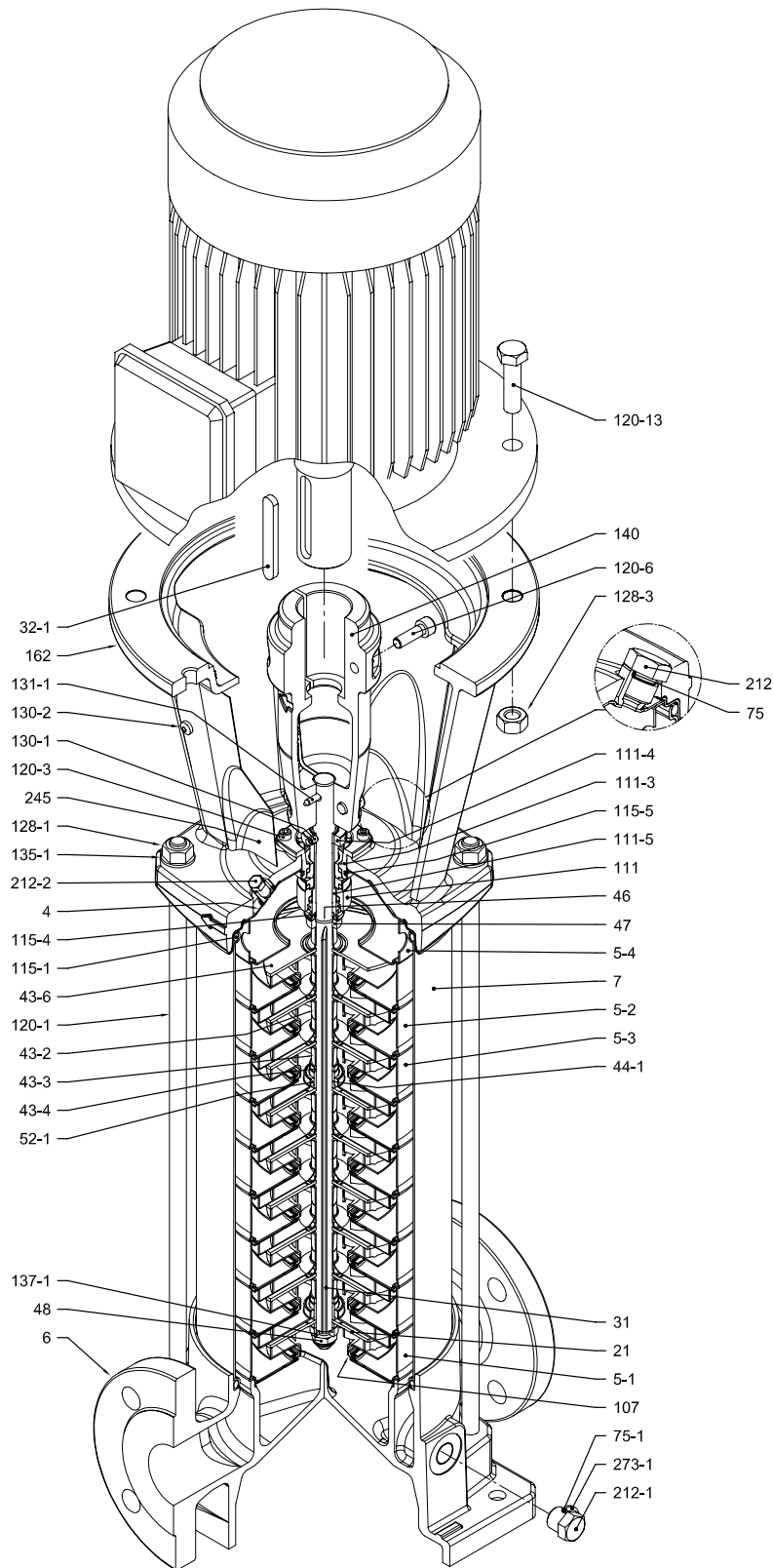


Dimensions [mm] and Weights [Kg]

Pump Type	P _{max} [MPa]	Motor				Oval flange (N)				Round flange (F)										
		kW	Size	1~		3~		H2	H2+H3		Weight Pump	Weight Pump + Motor		H2	H2+H3		Weight Pump	Weight Pump + Motor		
				A	B	C	B		C	1~		3~	1~		3~	1~		3~		
EVMSG20 1/1.5	1.6	1.5	90	140	172	140	160	119	387	665	678	22.6	40.4	36.1	387	665	678	27.2	45	40.7
EVMSG20 2/3.0	1.6	3.0	100	160	-	-	176	123	397	-	739	22.7	-	44.7	397	-	739	27.3	-	49.3
EVMSG20 3/4.0	1.6	4.0	112	160	-	-	193	138	437	-	801	24.1	-	52.6	437	-	801	28.7	-	57.2
EVMSG20 4/5.5	1.6	5.5	132	300	-	-	220	152	574	-	973	30.0	-	69.0	574	-	973	34.6	-	73.6
EVMSG20 5/7.5	1.6	7.5	132	300	-	-	220	152	614	-	1033	31.2	-	77.2	614	-	1033	35.9	-	81.9
EVMSG20 6/7.5	1.6	7.5	132	300	-	-	220	152	654	-	1073	32.5	-	78.5	654	-	1073	37.1	-	83.1
EVMSG20 7/11	1.6	11	160	350	-	-	259	180	724	-	1164	34.8	-	97.3	724	-	1164	39.4	-	101.9
EVMSG20 8/11	1.6	11	160	350	-	-	259	180	764	-	1204	46.6	-	109.1	764	-	1204	51.2	-	113.7
EVMSG20 9/11	1.6	11	160	350	-	-	259	180	804	-	1244	47.9	-	110.4	804	-	1244	52.5	-	115.0
EVMSG20 10/11	2.5	11	160	350	-	-	259	180	-	-	-	-	-	-	844	-	1284	53.9	-	116.4
EVMSG20 11/15	2.5	15	160	350	-	-	311	240	-	-	-	-	-	-	884	-	1379	55.2	-	156.2
EVMSG20 12/15	2.5	15	160	350	-	-	311	240	-	-	-	-	-	-	924	-	1419	56.5	-	157.5
EVMSG20 13/15	2.5	15	160	350	-	-	311	240	-	-	-	-	-	-	964	-	1459	57.9	-	158.9
EVMSG20 14/18.5	2.5	18.5	160	350	-	-	311	240	-	-	-	-	-	-	1004	-	1499	59.2	-	168.2
EVMSG20 15/18.5	2.5	18.5	160	350	-	-	311	240	-	-	-	-	-	-	1044	-	1539	60.5	-	169.5
EVMSG20 16/18.5	2.5	18.5	160	350	-	-	311	240	-	-	-	-	-	-	1084	-	1579	61.8	-	170.8

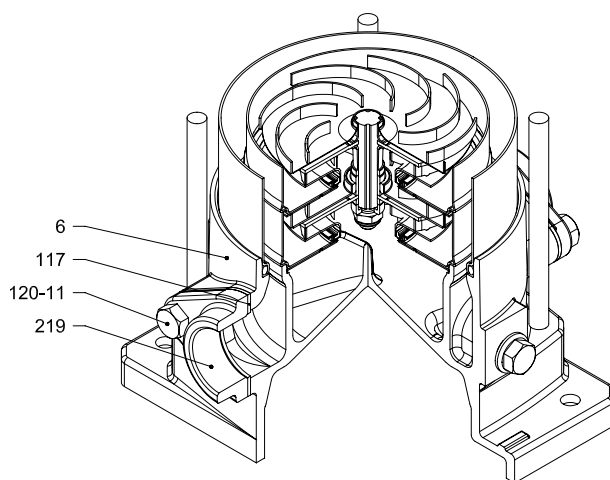
1.6 MPa=16 bar; 2.5 MPa=25 bar
- not available model

SECTIONAL VIEW
EVMSG20



with Round flange (F)

PIPE CONNECTION EVMSG20



with Oval flange (N)

SECTIONAL TABLE
EVMSG20

N°	PART NAME	MATERIAL EVMSG	DIMENSIONS	STANDARD	
4	Casing cover	EN 1.4301 (AISI 304)			
5-1	Suction casing	EN 1.4301 (AISI 304)			
5-2	Intermediate casing	EN 1.4301 (AISI 304)			
5-3	Intermediate casing with bearing	EN 1.4301 (AISI 304)			
5-4	Discharge casing	EN 1.4301 (AISI 304)			
6	Bottom casing	Cast Iron EN-GJL-250			
7	Outer casing	EN 1.4301 (AISI 304)			
21	Impeller	EN 1.4301 (AISI 304)			
31	Shaft	EN 1.4301 (AISI 304) - EN 1.4462 (AISI 329A)			
32-1	Adjuster key	EN 1.4301 (AISI 304)			
43-2	Shaft sleeve (intermediate)	EN 1.4301 (AISI 304)			
43-3	Shaft sleeve (bearing + discharge casing)	EN 1.4301 (AISI 304)			
43-4	Shaft sleeve (adjustment)	EN 1.4301 (AISI 304)			
43-6	Washer	EN 1.4404 (AISI 316L)	Ø26x2.5		
44-1	Shaft sleeve bearing	Tungsten carbide			
46	Ring (mechanical seal)	EN 1.4404 (AISI 316L)			
47	Ring holder	EN 1.4404 (AISI 316L)			
48	Impeller nut	EN 1.4301 (AISI 304) with inox insert	M10		
52-1	Sleeve bearing	Tungsten carbide			
75	O-Ring (priming plug)	EPDM / FPM	Ø12.37x2.62	OR 3050	
75-1	O-Ring (drainage plug)	EPDM / FPM			
107	Liner ring	EN 1.4301 (AISI 304) + PPS			
111	Mechanical seal	see pages 6-7			
111-3	Mechanical seal seat	EN 1.4308 (ASTM CF8)			
111-4	Seal holder	EN 1.4301 (AISI 304)			
111-5	Mechanical seal cartridge sleeve	EN 1.4301 (AISI 304)			
115-1	O-Ring (outer casing)	EPDM / FPM	Ø164.46x5.34	OR 6645	
115-4	O-Ring (cartridge sleeve)	EPDM / FPM	Ø15.88x2.62	OR 121	
115-5	O-Ring (seal flange)	EPDM / FPM	Ø37.77x2.62	OR 3150	
117	Flange gasket	EPDM / FPM			
120-1	Tie-rod	EN 1.4057 (AISI 431)	M12		
120-3	Screw (seal flange)	A2-70	M5x12	ISO 4762	
120-6	Screw (pump coupling)	Galvanized steel 6.8 strenght class ISO 898/1	up to 4.0 kW	M6x25	ISO 4762
			from 5.5 kW to 7.5 kW	M8x20	ISO 4762
			above 11 kW	M10x30	ISO 4762
120-11	Screw (counterflange)	A2-70			
120-13	Screw for motor	Galvanized steel 8.8 strength class ISO 898/1	MEC 90-100-112	M8x20	ISO 4017
			MEC 132	M12x40	ISO 4017
			MEC 160	M16x50	ISO 4017
128-1	Nut (tie rod)	A2-70	M12	ISO 4032	
128-3	Nut (motor)	Galvanized steel	MEC 132	M12	ISO 4032
			MEC 160	M16	ISO 4032
128-6	Nut (aluminium coupling)	Galvanized steel	M6	ISO 4032	
130-1	Set screw	EN 1.4301 (AISI 304)	M5x8	ISO 4026	
130-2	Screw for coupling guard	A2-70	M5x6	UNI 7687	
131-1	Pin for shaft	Carbon Steel	Ø5x35	ISO 2338	
135-1	Washer (tie rod)	EN 1.4301 (AISI 304)	Ø13x24x2.5	ISO 7089	
135-6	Washer (aluminium coupling)	Carbon Steel	Ø6		
137-1	Impeller spacer	EN 1.4301 (AISI 304)			
140	Coupling	up to 4.0 kW	Die cast Aluminium EN AB-AISI11Cu2 (Fe)		
		above 5.5 kW	Cast Iron		
162	Motor bracket	Cast iron EN-GJL-250			
212	Priming plug	EN 1.4301 (AISI 304)	G 3/8		
212-1	Drainage plug	EN 1.4301 (AISI 304)	G 3/8		
212-2	Venting plug	EN 1.4404 (AISI 316L)			
219	Counter flange	flange type: N	Galvanized steel		
		flange type: F	Cast Iron EN-GJL-250		
245	Coupling guard	EN 1.4301 (AISI 304)			
273-1	Washer (drainage plug)	EN 1.4301 (AISI 304)			

QUANTITY FOR MODEL EVMSG20

Pump Type	N°																												
	4	5-1	52	53	54	6	7	21	31***	32-1	432	433	434	436	44-1	46	47	48	52-1	75	75-1	107	111	111-3	111-4	111-5	115-1	1154	1155
EVMSG20 1/1.5	1	1	/	1	1	1	1	1	1	1	/	2	1	1	1	2	1	1	1	1	4	1	1	1	1	1	2	1	1
EVMSG20 2/3.0	1	1	/	1	1	1	1	2	1	1	/	2	1	/	1	2	1	1	1	1	4	2	1	1	1	1	2	1	1
EVMSG20 3/4.0	1	1	1	1	1	1	1	3	1	1	1	2	1	/	1	2	1	1	1	1	4	3	1	1	1	1	2	1	1
EVMSG20 4/5.5	1	1	2	1	1	1	1	4	1	1	2	2	1	/	1	2	1	1	1	1	4	4	1	1	1	1	2	1	1
EVMSG20 5/7.5	1	1	3	1	1	1	1	5	1	1	3	2	1	/	1	2	1	1	1	1	4	5	1	1	1	1	2	1	1
EVMSG20 6/7.5	1	1	4	1	1	1	1	6	1	1	4	2	1	/	1	2	1	1	1	1	4	6	1	1	1	1	2	1	1
EVMSG20 7/11	1	1	4	2	1	1	1	7	1	1	4	3	2	/	2	2	1	1	2	1	4	7	1	1	1	1	2	1	1
EVMSG20 8/11	1	1	5	2	1	1	1	8	1	1	5	3	2	/	2	2	1	1	2	1	4	8	1	1	1	1	2	1	1
EVMSG20 9/11	1	1	6	2	1	1	1	9	1	1	6	3	2	/	2	2	1	1	2	1	4	9	1	1	1	1	2	1	1
EVMSG20 10/11	1	1	7	2	1	1	1	10	1	1	7	3	2	/	2	2	1	1	2	1	4	10	1	1	1	1	2	1	1
EVMSG20 11/15	1	1	8	2	1	1	1	11	1	1	8	3	2	/	2	2	1	1	2	1	4	11	1	1	1	1	2	1	1
EVMSG20 12/15	1	1	9	2	1	1	1	12	1	1	9	3	2	/	2	2	1	1	2	1	4	12	1	1	1	1	2	1	1
EVMSG20 13/15	1	1	10	2	1	1	1	13	1	1	10	3	2	/	2	2	1	1	2	1	4	13	1	1	1	1	2	1	1
EVMSG20 14/18.5	1	1	11	2	1	1	1	14	1	1	11	3	2	/	2	2	1	1	2	1	4	14	1	1	1	1	2	1	1
EVMSG20 15/18.5	1	1	12	2	1	1	1	15	1	1	12	3	2	/	2	2	1	1	2	1	4	15	1	1	1	1	2	1	1
EVMSG20 16/18.5	1	1	13	2	1	1	1	16	1	1	13	3	2	/	2	2	1	1	2	1	4	16	1	1	1	1	2	1	1

Pump Type	N°																						
	117*	120-1	120-3	120-6	120-11*	120-13	128-1	128-3	128-6	130-1	130-2	131-1	135-1	135-6	137-1	140	162	212	212-1	212-2	219*	245	273-1
EVMSG20 1/1.5	2	4	4	4	4	4	4	/	4	3	4	1	4	4	1	2	1	1	4	1	2	2	4
EVMSG20 2/3.0	2	4	4	4	4	4	4	/	4	3	4	1	4	4	1	2	1	1	4	1	2	2	4
EVMSG20 3/4.0	2	4	4	4	4	4	4	/	4	3	4	1	4	4	1	2	1	1	4	1	2	2	4
EVMSG20 4/5.5	2	4	4	4	4	4	4	/	3	4	1	4	/	1	2	1	1	4	1	2	2	4	
EVMSG20 5/7.5	2	4	4	4	4	4	4	/	3	4	1	4	/	1	2	1	1	4	1	2	2	4	
EVMSG20 6/7.5	2	4	4	4	4	4	4	/	3	4	1	4	/	1	2	1	1	4	1	2	2	4	
EVMSG20 7/11	2	4	4	4	4	4	4	/	3	4	1	4	/	1	2	1	1	4	1	2	2	4	
EVMSG20 8/11	2	4	4	4	4	4	4	/	3	4	1	4	/	1	2	1	1	4	1	2	2	4	
EVMSG20 9/11	2	4	4	4	4	4	4	/	3	4	1	4	/	1	2	1	1	4	1	2	2	4	
EVMSG20 10/11	/	4	4	4	/	4	4	/	3	4	1	4	/	1	2	1	1	4	1	/	2	4	
EVMSG20 11/15	/	4	4	4	/	4	4	/	3	4	1	4	/	1	2	1	1	4	1	/	2	4	
EVMSG20 12/15	/	4	4	4	/	4	4	/	3	4	1	4	/	1	2	1	1	4	1	/	2	4	
EVMSG20 13/15	/	4	4	4	/	4	4	/	3	4	1	4	/	1	2	1	1	4	1	/	2	4	
EVMSG20 14/18.5	/	4	4	4	/	4	4	/	3	4	1	4	/	1	2	1	1	4	1	/	2	4	
EVMSG20 15/18.5	/	4	4	4	/	4	4	/	3	4	1	4	/	1	2	1	1	4	1	/	2	4	
EVMSG20 16/18.5	/	4	4	4	/	4	4	/	3	4	1	4	/	1	2	1	1	4	1	/	2	4	

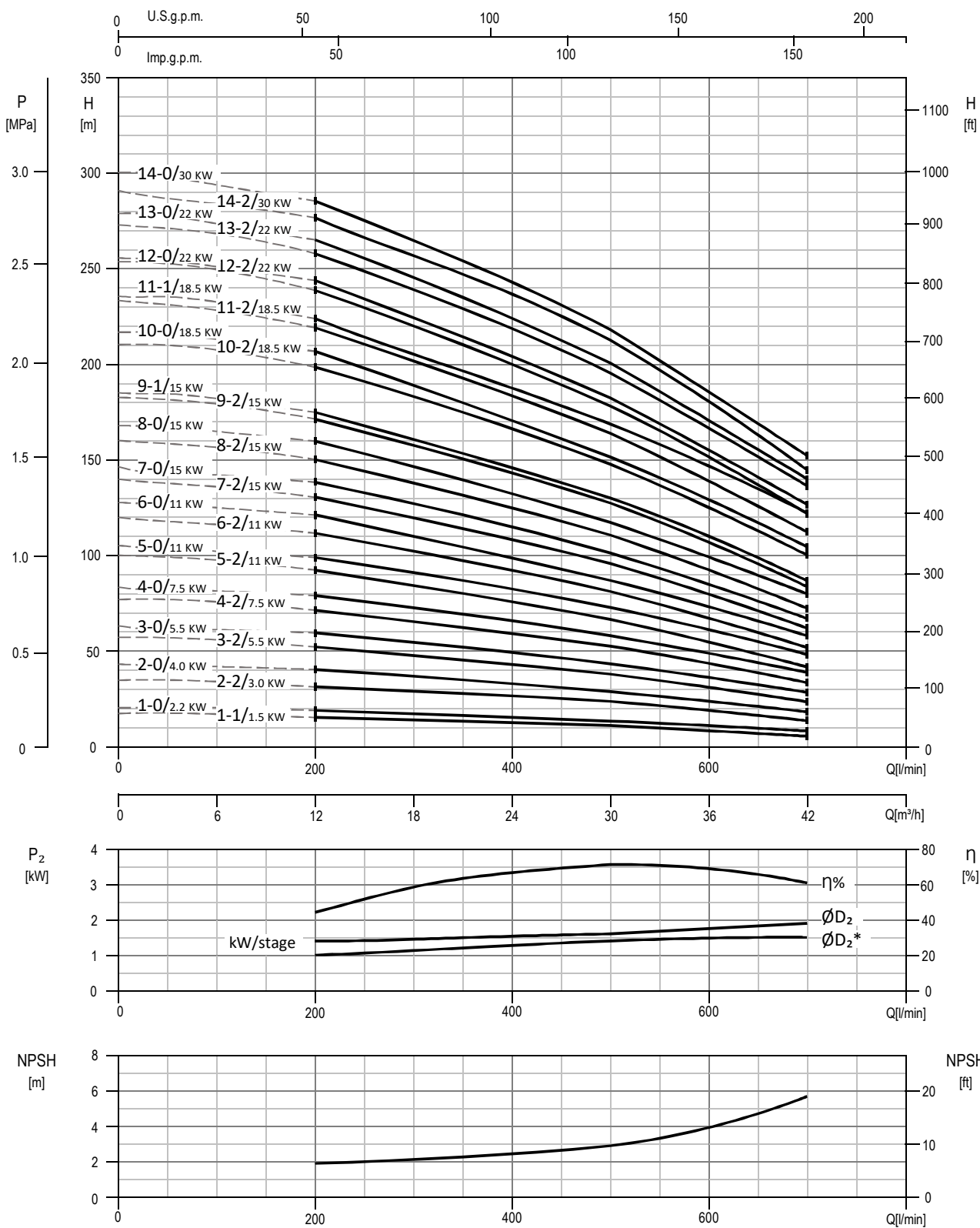
* only for Oval flange (N)

*** shaft in EN 1.4462 (AISI 329A)

128-6 / 135-6: with Aluminium coupling (see drawing pag.18)

PERFORMANCE CURVE
EVMS(L)32

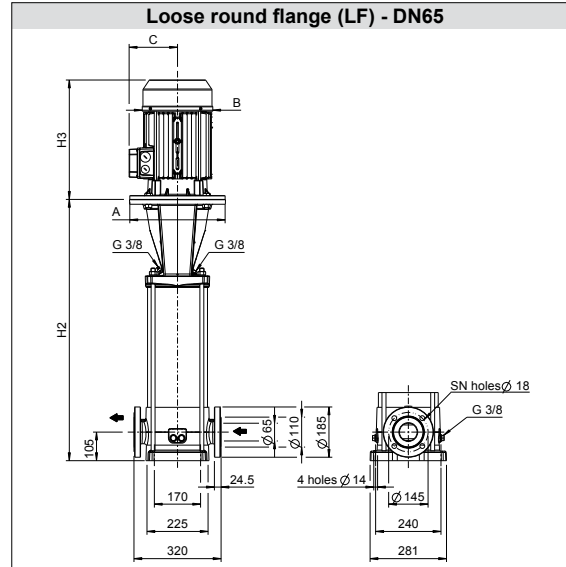
EVMS(L)32



Test standard: ISO 9906:2012 - Grade 3B

TECHNICAL DATA EVMS(L)32

Dimensional sketch



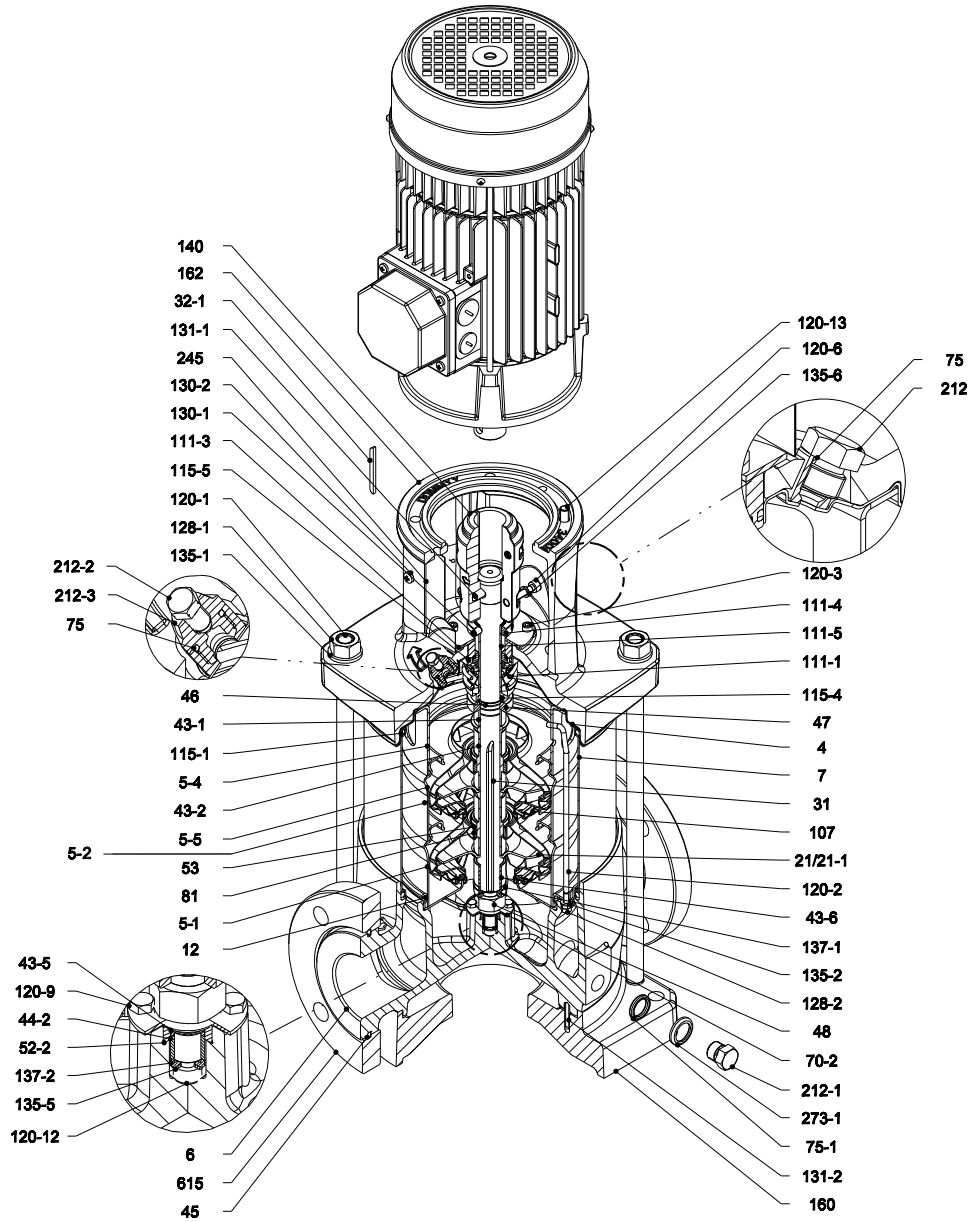
Dimensions [mm] and Weights [Kg]

Pump Type	Pmax [MPa]	Motor					Loose round flange (LF)				
		kW	Size	A Ø	B	C	H2	H2+H3	SN	Weight Pump	Weight Pump + Motor
EVMS(L)32 1-1/1.5	1.6	1.5	90	140	160	119	451	741	4	48.6	62.1
EVMS(L)32 1-0/2.2	1.6	2.2	90	140	160	119	451	741	4	48.6	63.6
EVMS(L)32 2-2/3.0	1.6	3.0	100	160	176	123	531	873	4	51.9	73.9
EVMS(L)32 2-0/4.0	1.6	4.0	112	160	193	138	531	896	4	51.9	80.4
EVMS(L)32 3-2/5.5	1.6	5.5	132	300	220	152	705	1105	4	65.8	104.8
EVMS(L)32 3-0/5.5	1.6	5.5	132	300	220	152	705	1105	4	65.8	104.8
EVMS(L)32 4-2/7.5	1.6	7.5	132	300	220	152	775	1195	4	69.0	115.0
EVMS(L)32 4-0/7.5	1.6	7.5	132	300	220	152	775	1195	4	69.0	115.0
EVMS(L)32 5-2/11	1.6	11	160	350	259	180	875	1314	4	79.0	141.5
EVMS(L)32 5-0/11	1.6	11	160	350	259	180	875	1314	4	79.0	141.5
EVMS(L)32 6-2/11	1.6	11	160	350	259	180	945	1384	4	82.3	144.8
EVMS(L)32 6-0/11	1.6	11	160	350	259	180	945	1384	4	82.3	144.8
EVMS(L)32 7-2/15	1.6	15	160	350	311	240	1015	1510	4	85.6	186.6
EVMS(L)32 7-0/15	1.6	15	160	350	311	240	1015	1510	4	85.6	186.6
EVMS(L)32 8-2/15	2.5	15	160	350	311	240	1085	1580	8	90.4	191.4
EVMS(L)32 8-0/15	2.5	15	160	350	311	240	1085	1580	8	90.4	191.4
EVMS(L)32 9-2/15	2.5	15	160	350	311	240	1155	1650	8	93.9	194.9
EVMS(L)32 9-1/15	2.5	15	160	350	311	240	1155	1650	8	93.9	194.9
EVMS(L)32 10-2/18.5	2.5	18.5	160	350	311	240	1225	1720	8	97.3	206.3
EVMS(L)32 10-0/18.5	2.5	18.5	160	350	311	240	1225	1720	8	97.3	206.3
EVMS(L)32 11-2/18.5	2.5	18.5	160	350	311	240	1295	1847	8	100.8	209.8
EVMS(L)32 11-1/18.5	2.5	18.5	160	350	311	240	1295	1847	8	100.8	209.8
EVMS(L)32 12-2/22	3.0	22	180	350	354	260	1365	1917	8	106.8	241.8
EVMS(L)32 12-0/22	3.0	22	180	350	354	260	1365	1917	8	106.8	241.8
EVMS(L)32 13-2/22	3.0	22	180	350	354	260	1435	1987	8	110.6	245.6
EVMS(L)32 13-0/22	3.0	22	180	350	354	260	1435	1987	8	110.6	245.6
EVMS(L)32 14-2/30	3.0	30	200	400	354	280	1505	2057	8	119.5	287.5
EVMS(L)32 14-0/30	3.0	30	200	400	354	280	1505	2057	8	119.5	287.5

1.6 MPa=16 bar; 2.5 MPa=25 bar; 3.0 MPa=30 bar

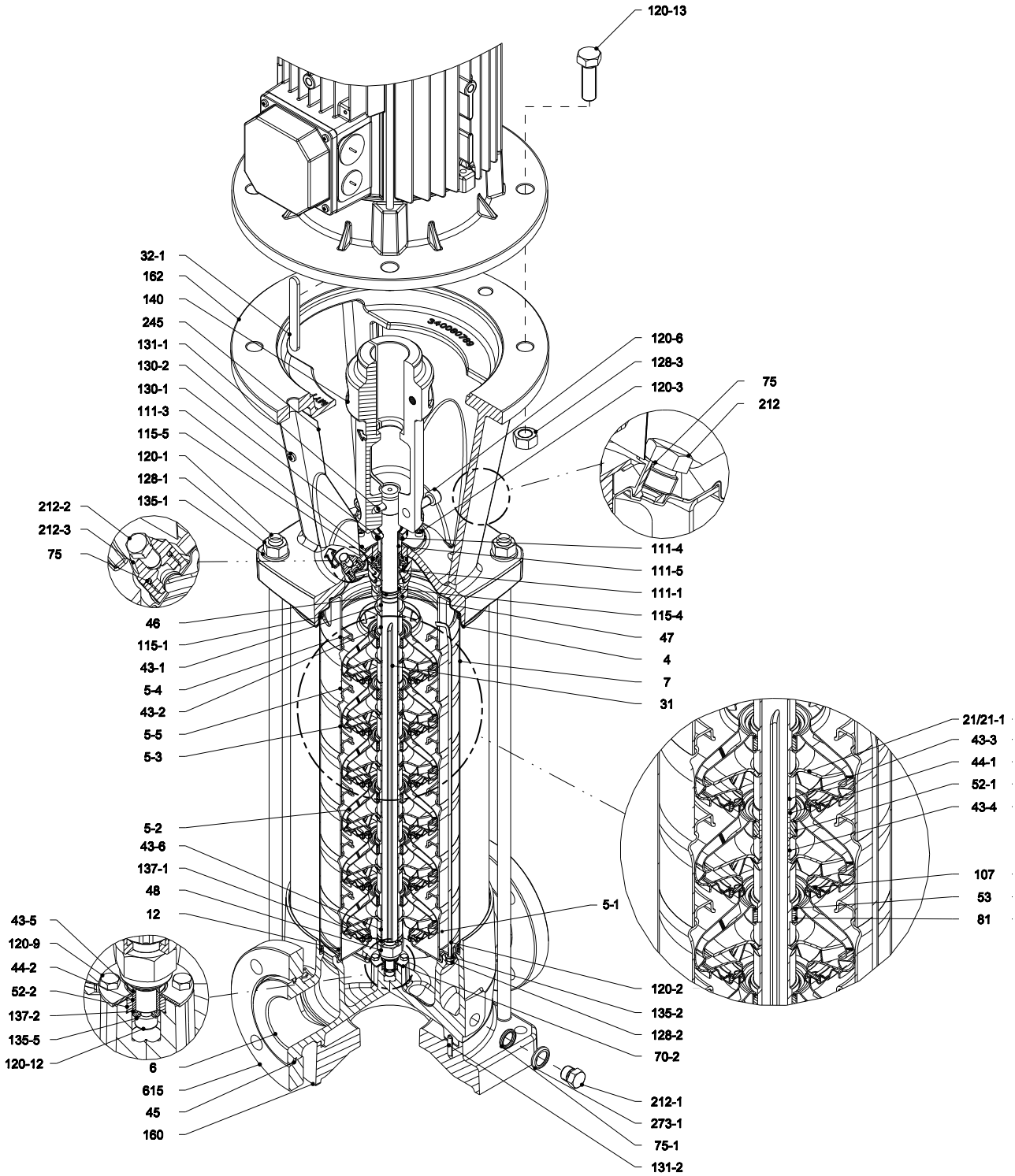
SECTIONAL VIEW
EVMS(L)32

EVMS(L)32



Pump without ball bearing
up to 4.0 kW

SECTIONAL VIEW EVMS(L)32



Pump without ball bearing
from 5.5 kW to 30 kW

SECTIONAL TABLE
EVMS(L)32

N°	PART NAME	MATERIAL		DIMENSIONS	STANDARD
		EVMS	EVMSL		
4	Casing cover	EN 1.4301 (AISI 304)	EN 1.4404 (AISI 316L)		
5-1	Suction casing	EN 1.4301 (AISI 304)	EN 1.4404 (AISI 316L)		
5-2	Intermediate casing	EN 1.4301 (AISI 304)	EN 1.4404 (AISI 316L)		
5-3	Intermediate casing with bearing	EN 1.4301 (AISI 304)	EN 1.4404 (AISI 316L)		
5-4	Discharge casing	EN 1.4301 (AISI 304)	EN 1.4404 (AISI 316L)		
5-5	Top intermediate casing	EN 1.4301 (AISI 304)	EN 1.4404 (AISI 316L)		
6	Bottom casing	EN 1.4308 (ASTM CF8)	EN 1.4408 (ASTM CF8M)		
7	Outer casing	EN 1.4301 (AISI 304)	EN 1.4404 (AISI 316L)		
12	Suction cover	EN 1.4301 (AISI 304)	EN 1.4404 (AISI 316L)		
21	Impeller	EN 1.4301 (AISI 304)	EN 1.4404 (AISI 316L)		
21-1	Reduced impeller	EN 1.4301 (AISI 304)	EN 1.4404 (AISI 316L)		
31	Shaft	EN 1.4301 (AISI 304)	EN 1.4404 (AISI 316L)		
32-1	Adjuster key	EN 1.4301 (AISI 304)			
43-1	Shaft sleeve (mechanical seal)	EN 1.4301 (AISI 304)	EN 1.4404 (AISI 316L)		
43-2	Shaft sleeve (intermediate)	EN 1.4301 (AISI 304)	EN 1.4404 (AISI 316L)		
43-3	Shaft sleeve (bearing)	EN 1.4301 (AISI 304)	EN 1.4404 (AISI 316L)		
43-4	Shaft sleeve (adjustment)	EN 1.4301 (AISI 304)	EN 1.4404 (AISI 316L)		
43-5	Shaft sleeve (last stage)	EN 1.4301 (AISI 304)	EN 1.4404 (AISI 316L)		
43-6	Shaft sleeve (adjustment)	EN 1.4301 (AISI 304)	EN 1.4404 (AISI 316L)		
44-1	Shaft sleeve bearing	Tungsten carbide			
44-2	Shaft sleeve (bearing)	Tungsten carbide			
45	Flange holder	EN 1.4301 (AISI 304)			
46	Ring (mechanical seal)	EN 1.4404 (AISI 316L)			
47	Ring holder	EN 1.4404 (AISI 316L)			
48	Impeller nut	EN 1.4301 (AISI 304) with inox insert	EN 1.4401 (AISI 316) with inox insert		
52-1	Sleeve bearing	Tungsten carbide			
52-2	Sleeve bearing (bottom casing)	Tungsten carbide			
53	Bush holder	EN 1.4301 (AISI 304)	EN 1.4404 (AISI 316L)		
70-2	Ring for bearing sleeve	EN 1.4301 (AISI 304)	EN 1.4404 (AISI 316L)		
75	O-Ring (priming plug)	EPDM / FPM		Ø12.37x2.62	OR 3050
75-1	O-Ring (drainage plug)	EPDM / FPM			
81	Bush	PTFE			
107	Liner ring	EN 1.4301 (AISI 304) + PPS	EN 1.4404 (AISI 316L) + PPS		
111-1	Mechanical seal	see pages 6-7			
111-3	Mechanical seal seat	EN 1.4301 (AISI 304)	EN 1.4401 (AISI 316)		
111-4	Seal holder	EN 1.4404 (AISI 316L)			
111-5	Mechanical seal cartridge sleeve	EN 1.4301 (AISI 304)	EN 1.4404 (AISI 316L)		
115-1	O-Ring (outer casing)	EPDM / FPM		Ø240.66x5.34	OR 6945
115-4	O-Ring (cartridge sleeve)	EPDM / FPM		Ø23.39x3.53	OR 4093
115-5	O-Ring (seal flange)	EPDM / FPM		Ø47.22x3.53	OR 4187
120-1	Tie rod	EN 1.4057 (AISI 431)			
120-2	Tie rod (stage)	EN 1.4301 (AISI 304)	EN 1.4401 (AISI 316)		
120-3	Screw (seal flange)	A2-70		M5x12	ISO 4762

SECTIONAL TABLE EVMS(L)32

N°	PART NAME	MATERIAL		DIMENSIONS	STANDARD
		EVMS	EVMSL		
120-6	Screw (pump coupling)	up to 4.0 kW	Galvanized steel 8.8 strength class ISO 898/1	M6x25	ISO 4762
		from 5.5 kW to 7.5 kW	Galvanized steel 8.8 strength class ISO 898/1	M8x25	ISO 4762
		above 11 kW	Galvanized steel 8.8 strength class ISO 898/1	M10x30	ISO 4762
120-9	Screw (bottom casing)	A2-70	A4-70	M5x8	ISO 4017
120-12	Screw (shaft)	A2-70	A4-70	M6x16	ISO 4762
120-13	Screw for motor	MEC 90-100-112	Galvanized steel 8.8 strength class ISO 898/1	M8x20	ISO 4017
		MEC 132	Galvanized steel 8.8 strength class ISO 898/1	M12x45	ISO 4017
		MEC 160-180	Galvanized steel 8.8 strength class ISO 898/1	M16x50	ISO 4017
		MEC 200	Galvanized steel 8.8 strength class ISO 898/1	M16x60	ISO 4014
128-1	Nut (tie rod)	A2-70		M16	ISO 4032
128-2	Nut (casing tie rod)	A2-70	A4-70	M5	ISO 4032
128-3	Nut (motor)	MEC 132	Galvanized steel	M12	ISO 4032
		MEC 160-180-200	Galvanized steel	M16	ISO 4032
128-6	Nut (aluminium coupling)	MEC 90-100-112	Galvanized steel	M6	ISO 4032
130-1	Set screw	EN 1.4301 (AISI 304)		M6x8	ISO 4026
130-2	Screw for coupling guard	A2-70		M5x6	UNI 7687
131-1	Pin for shaft	up to 4.0 kW	Carbon Steel	Ø8x42	ISO 2338
		above 5.5 kW	Carbon Steel	Ø8x50	ISO 2338
131-2	Elastic pin	EN 1.4301 (AISI 304)		Ø6x26	ISO 8752
135-1	Washer (tie rod)	EN 1.4301 (AISI 304)		Ø16	ISO 7089
135-2	Washer (casing tie rod)	EN 1.4301 (AISI 304)	EN 1.4404 (AISI 316)	Ø5.1	UNI 1751
135-5	Washer (impeller nut)	EN 1.4301 (AISI 304)	EN 1.4404 (AISI 316L)		
135-6	Washer (aluminium coupling)	up to 4.0 kW	Carbon Steel		
137-1	Impeller spacer	EN 1.4301 (AISI 304)	EN 1.4404 (AISI 316L)		
137-2	Shaft spacer	EN 1.4301 (AISI 304)	EN 1.4404 (AISI 316L)		
140	Coupling	up to 4.0 kW	Die cast Aluminium EN AB-AISI11 Cu2 (Fe)		
		from 5.5 kW to 30 kW	Cast Iron EN GJL250 EN 1561		
160	Base	Cast Iron EN GJL200 EN 1561			
162	Motor bracket	up to 30 kW	Cast Iron EN GJS 400-15 EN 1563		
212	Priming plug	EN 1.4301 (AISI 304)	EN 1.4404 (AISI 316L)		
212-1	Drainage plug	EN 1.4301 (AISI 304)	EN 1.4404 (AISI 316L)		
212-2	Venting plug	EN 1.4401 (AISI 316)			
212-3	Priming plug	EN 1.4301 (AISI 304)	EN 1.4404 (AISI 316L)		
245	Coupling guard	EN 1.4301 (AISI 304)			
273-1	Washer (drainage plug)	EN 1.4301 (AISI 304)	EN 1.4404 (AISI 316L)		
615	Loose flange	Cast Iron EN GJS 500-7 EN 1563			

QUANTITY FOR MODEL
EVMS(L)32

Pump Type	N°																													
	4	5-1	5-2	5-3	5-4	5-5	6	7	12	21	21-1	31	32-1	43-1	43-2	43-3	43-4	43-5	43-6	44-1	44-2	45	46	47	48	52-1	52-2	53	70-2	
EVMS(L)32 1-1/1.5	1	1	/	/	1	/	1	1	1	/	1	1	1	1	/	/	/	1	1	/	1	4	1	1	1	/	1	1	1	
EVMS(L)32 1-0/2.2	1	1	/	/	1	/	1	1	1	1	/	1	1	1	1	/	/	1	1	/	1	4	1	1	1	/	1	1	1	
EVMS(L)32 2-2/3	1	1	/	/	1	1	1	1	1	/	2	1	1	1	2	/	/	1	1	/	1	4	1	1	1	/	1	2	1	
EVMS(L)32 2-0/4	1	1	/	/	1	1	1	1	1	2	/	1	1	1	2	/	/	1	1	/	1	4	1	1	1	/	1	2	1	
EVMS(L)32 3-2/5.5	1	1	/	1	1	1	1	1	1	1	2	1	1	1	2	1	1	1	1	1	1	4	1	1	1	1	1	2	1	
EVMS(L)32 3-0/5.5	1	1	/	1	1	1	1	1	1	3	/	1	1	1	2	1	1	1	1	1	1	4	1	1	1	1	1	2	1	
EVMS(L)32 4-2/7.5	1	1	1	1	1	1	1	1	1	2	2	1	1	1	3	1	1	1	1	1	1	4	1	1	1	1	1	4	1	
EVMS(L)32 4-0/7.5	1	1	1	1	1	1	1	1	1	4	/	1	1	1	3	1	1	1	1	1	1	4	1	1	1	1	1	4	1	
EVMS(L)32 5-2/11	1	1	2	1	1	1	1	1	1	3	2	1	1	1	4	1	1	1	1	1	1	4	1	1	1	1	1	5	1	
EVMS(L)32 5-0/11	1	1	2	1	1	1	1	1	1	5	/	1	1	1	4	1	1	1	1	1	1	4	1	1	1	1	1	5	1	
EVMS(L)32 6-2/11	1	1	3	1	1	1	1	1	1	4	2	1	1	1	5	1	1	1	1	1	1	4	1	1	1	1	1	6	1	
EVMS(L)32 6-0/11	1	1	3	1	1	1	1	1	1	6	/	1	1	1	5	1	1	1	1	1	1	4	1	1	1	1	1	6	1	
EVMS(L)32 7-2/15	1	1	4	1	1	1	1	1	1	5	2	1	1	1	6	1	1	1	1	1	1	4	1	1	1	1	1	7	1	
EVMS(L)32 7-0/15	1	1	4	1	1	1	1	1	1	7	/	1	1	1	6	1	1	1	1	1	1	4	1	1	1	1	1	7	1	
EVMS(L)32 8-2/15	1	1	5	1	1	1	1	1	1	6	2	1	1	1	7	1	1	1	1	1	1	4	1	1	1	1	1	8	1	
EVMS(L)32 8-0/15	1	1	5	1	1	1	1	1	1	8	/	1	1	1	7	1	1	1	1	1	1	4	1	1	1	1	1	8	1	
EVMS(L)32 9-2/15	1	1	6	1	1	1	1	1	1	7	2	1	1	1	8	1	1	1	1	1	1	4	1	1	1	1	1	9	1	
EVMS(L)32 9-1/15	1	1	6	1	1	1	1	1	1	8	1	1	1	1	8	1	1	1	1	1	1	4	1	1	1	1	1	9	1	
EVMS(L)32 10-2/18.5	1	1	7	1	1	1	1	1	1	8	2	1	1	1	9	1	1	1	1	1	1	4	1	1	1	1	1	10	1	
EVMS(L)32 10-0/18.5	1	1	7	1	1	1	1	1	1	10	/	1	1	1	9	1	1	1	1	1	1	4	1	1	1	1	1	1	10	1
EVMS(L)32 11-2/18.5	1	1	7	2	1	1	1	1	1	9	2	1	1	1	9	2	2	1	1	2	1	4	1	1	1	2	1	10	1	
EVMS(L)32 11-1/18.5	1	1	7	2	1	1	1	1	1	10	1	1	1	1	9	2	2	1	1	2	1	4	1	1	1	2	1	10	1	
EVMS(L)32 12-2/22	1	1	8	2	1	1	1	1	1	10	2	1	1	1	10	2	2	1	1	2	1	4	1	1	1	2	1	11	1	
EVMS(L)32 12-0/22	1	1	8	2	1	1	1	1	1	12	/	1	1	1	10	2	2	1	1	2	1	4	1	1	1	2	1	11	1	
EVMS(L)32 13-2/22	1	1	9	2	1	1	1	1	1	11	2	1	1	1	11	2	2	1	1	2	1	4	1	1	1	2	1	12	1	
EVMS(L)32 13-0/22	1	1	9	2	1	1	1	1	1	13	/	1	1	1	11	2	2	1	1	2	1	4	1	1	1	2	1	12	1	
EVMS(L)32 14-2/30	1	1	10	2	1	1	1	1	1	12	2	1	1	1	12	2	2	1	1	2	1	4	1	1	1	2	1	13	1	
EVMS(L)32 14-0/30	1	1	10	2	1	1	1	1	1	14	/	1	1	1	12	2	2	1	1	2	1	4	1	1	1	2	1	13	1	

Pump Type	N°																											
	75	75-1	81	107	111-1	111-3	111-4	111-5	115-1	115-4	115-5	120-1	120-2	120-3	120-6	120-9	120-12	120-13	128-1	128-2	128-3	128-6	130-1	130-2	131-1	131-2	135-1	135-2
EVMS(L)32 1-1/1.5	2	4	1	1	1	1	1	1	2	1	1	4	2	4	4	4	1	4	4	8	/	4	3	4	1	1	4	2
EVMS(L)32 1-0/2.2	2	4	1	1	1	1	1	1	2	1	1	4	2	4	4	4	1	4	4	8	/	4	3	4	1	1	4	2
EVMS(L)32 2-2/3	2	4	2	2	1	1	1	1	2	1	1	4	2	4	4	4	1	4	4	8	/	4	3	4	1	1	4	2
EVMS(L)32 2-0/4	2	4	2	2	1	1	1	1	2	1	1	4	2	4	4	4	1	4	4	8	/	4	3	4	1	1	4	2
EVMS(L)32 3-2/5.5	2	4	2	3	1	1	1	1	2	1	1	4	2	4	4	4	1	4	4	8	/	/	3	4	1	1	4	2
EVMS(L)32 3-0/5.5	2	4	2	3	1	1	1	1	2	1	1	4	2	4	4	4	1	4	4	8	/	/	3	4	1	1	4	2
EVMS(L)32 4-2/7.5	2	4	3	4	1	1	1	1	2	1	1	4	2	4	4	4	1	4	4	8	/	/	3	4	1	1	4	2
EVMS(L)32 4-0/7.5	2	4	3	4	1	1	1	1	2	1	1	4	2	4	4	4	1	4	4	8	/	/	3	4	1	1	4	2
EVMS(L)32 5-2/11	2	4	4	5	1	1	1	1	2	1	1	4	2	4	4	4	1	4	4	4	/	/	3	4	1	1	4	2
EVMS(L)32 5-0/11	2	4	4	5	1	1	1	1	2	1	1	4	2	4	4	4	1	4	4	4	/	/	3	4	1	1	4	2
EVMS(L)32 6-2/11	2	4	5	6	1	1	1	1	2	1	1	4	2	4	4	4	1	4	4	4	/	/	3	4	1	1	4	2
EVMS(L)32 6-0/11	2	4	5	6	1	1	1	1	2	1	1	4	2	4	4	4	1	4	4	4	/	/	3	4	1	1	4	2
EVMS(L)32 7-2/15	2	4	6	7	1	1	1	1	2	1	1	4	2	4	4	4	1	4	4	4	/	/	3	4	1	1	4	2
EVMS(L)32 7-0/15	2	4	6	7	1	1	1	1	2	1	1	4	2	4	4	4	1	4	4	4	/	/	3	4	1	1	4	2
EVMS(L)32 8-2/15	2	4	7	8	1	1	1	1	2	1	1	4	2	4	4	4	1	4	4	4	/	/	3	4	1	1	4	2
EVMS(L)32 8-0/15	2	4	7	8	1	1	1	1	2	1	1	4	2	4	4	4	1	4	4	4	/	/	3	4	1	1	4	2
EVMS(L)32 9-2/15	2	4	8	9	1	1	1	1	2	1	1	4	2	4	4	4	1	4	4	4	/	/	3	4	1	1	4	2
EVMS(L)32 9-1/15	2	4	8	9	1	1	1	1	2	1	1	4	2	4	4	4	1	4	4	4	/	/	3	4	1	1	4	2
EVMS(L)32 10-2/18.5	2	4	9	10	1	1	1	1	2	1	1	4	2	4	4	4	1	4	4	4	/	/	3	4	1	1	4	2
EVMS(L)32 10-0/18.5	2	4	9	10	1	1	1	1	2	1	1	4	2	4	4	4	1	4	4	4	/	/	3	4	1	1	4	2
EVMS(L)32 11-2/18.5	2	4	9	11	1	1	1	1	2	1	1	4	2	4	4	4	1	4	4	4	/	/	3	4	1	1	4	2
EVMS(L)32 11-1/18.5	2	4	9	11	1	1	1	1	2	1	1	4	2	4	4	4	1	4	4	4	/	/	3	4	1	1	4	2
EVMS(L)32 12-2/22	2	4	10	12	1	1	1	1	2	1	1	4	2	4	4	4	1	4	4	4	/	/	3	4	1	1	4	2
EVMS(L)32 12-0/22	2	4	10	12	1	1	1	1	2	1	1	4	2	4	4	4	1	4	4	4	/	/	3	4	1	1	4	2
EVMS(L)32 13-2/22	2	4	11	13	1	1	1	1	2	1	1	4	2	4	4	4	1	4	4	4	/	/	3	4	1	1	4	2
EVMS(L)32 13-0/22	2	4	11	13	1	1	1	1	2	1	1	4	2	4	4	4	1	4	4	4	/	/	3	4	1	1	4	2
EVMS(L)32 14-2/30	2	4	12	14	1	1	1	1	2	1	1	4	2	4	4	4	1	4	4	4	/	/	3	4	1	1	4	2
EVMS(L)32 14-0/30	2	4	12	14	1	1	1	1	2	1	1	4	2	4	4	4	1	4	4	4	/	/	3	4	1	1	4	2

EVMS(L)32

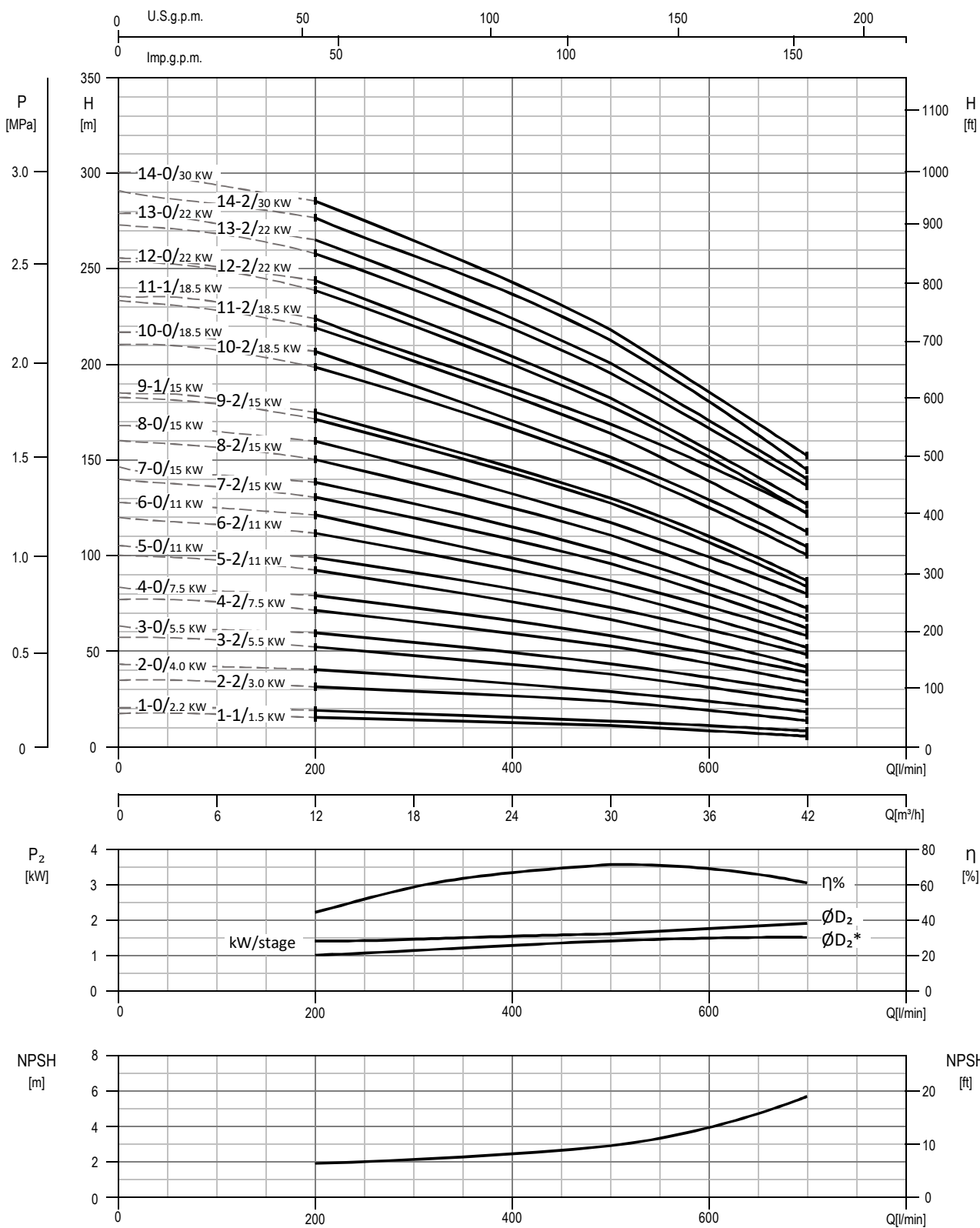
QUANTITY FOR MODEL EVMS(L)32

Pump Type	N°													
	135-5	135-6	137-1	137-2	140	160	162	212	212-1	212-2	212-3	245	273-1	615
EVMS(L)32 1-1/1.5	1	4	1	1	2	1	1	1	4	1	1	2	4	2
EVMS(L)32 1-0/2.2	1	4	1	1	2	1	1	1	4	1	1	2	4	2
EVMS(L)32 2-2/3	1	4	1	1	2	1	1	1	4	1	1	2	4	2
EVMS(L)32 2-0/4	1	4	1	1	2	1	1	1	4	1	1	2	4	2
EVMS(L)32 3-2/5.5	1	/	1	1	2	1	1	1	4	1	1	2	4	2
EVMS(L)32 3-0/5.5	1	/	1	1	2	1	1	1	4	1	1	2	4	2
EVMS(L)32 4-2/7.5	1	/	1	1	2	1	1	1	4	1	1	2	4	2
EVMS(L)32 4-0/7.5	1	/	1	1	2	1	1	1	4	1	1	2	4	2
EVMS(L)32 5-2/11	1	/	1	1	2	1	1	1	4	1	1	2	4	2
EVMS(L)32 5-0/11	1	/	1	1	2	1	1	1	4	1	1	2	4	2
EVMS(L)32 6-2/11	1	/	1	1	2	1	1	1	4	1	1	2	4	2
EVMS(L)32 6-0/11	1	/	1	1	2	1	1	1	4	1	1	2	4	2
EVMS(L)32 7-2/15	1	/	1	1	2	1	1	1	4	1	1	2	4	2
EVMS(L)32 7-0/15	1	/	1	1	2	1	1	1	4	1	1	2	4	2
EVMS(L)32 8-2/15	1	/	1	1	2	1	1	1	4	1	1	2	4	2
EVMS(L)32 8-0/15	1	/	1	1	2	1	1	1	4	1	1	2	4	2
EVMS(L)32 9-2/15	1	/	1	1	2	1	1	1	4	1	1	2	4	2
EVMS(L)32 9-1/15	1	/	1	1	2	1	1	1	4	1	1	2	4	2
EVMS(L)32 10-2/18.5	1	/	1	1	2	1	1	1	4	1	1	2	4	2
EVMS(L)32 10-0/18.5	1	/	1	1	2	1	1	1	4	1	1	2	4	2
EVMS(L)32 11-2/18.5	1	/	1	1	2	1	1	1	4	1	1	2	4	2
EVMS(L)32 11-1/18.5	1	/	1	1	2	1	1	1	4	1	1	2	4	2
EVMS(L)32 12-2/22	1	/	1	1	2	1	1	1	4	1	1	2	4	2
EVMS(L)32 12-0/22	1	/	1	1	2	1	1	1	4	1	1	2	4	2
EVMS(L)32 13-2/22	1	/	1	1	2	1	1	1	4	1	1	2	4	2
EVMS(L)32 13-0/22	1	/	1	1	2	1	1	1	4	1	1	2	4	2
EVMS(L)32 14-2/30	1	/	1	1	2	1	1	1	4	1	1	2	4	2
EVMS(L)32 14-0/30	1	/	1	1	2	1	1	1	4	1	1	2	4	2

BEARINGS EVMS(L)32

Pump Type	N° 56
EVMS(L)32 1-1/1.5	/
EVMS(L)32 1-0/2.2	/
EVMS(L)32 2-2/3.0	/
EVMS(L)32 2-0/4.0	/
EVMS(L)32 3-2/5.5	/
EVMS(L)32 3-0/5.5	/
EVMS(L)32 4-2/7.5	/
EVMS(L)32 4-0/7.5	/
EVMS(L)32 5-2/11	/
EVMS(L)32 5-0/11	/
EVMS(L)32 6-2/11	/
EVMS(L)32 6-0/11	/
EVMS(L)32 7-2/15	/
EVMS(L)32 7-0/15	/
EVMS(L)32 8-2/15	/
EVMS(L)32 8-0/15	/
EVMS(L)32 9-2/15	/
EVMS(L)32 9-1/15	/
EVMS(L)32 10-2/18.5	/
EVMS(L)32 10-0/18.5	/
EVMS(L)32 11-2/18.5	/
EVMS(L)32 11-1/18.5	/
EVMS(L)32 12-2/22	/
EVMS(L)32 12-0/22	/
EVMS(L)32 13-2/22	/
EVMS(L)32 13-0/22	/
EVMS(L)32 14-2/30	/
EVMS(L)32 14-0/30	/

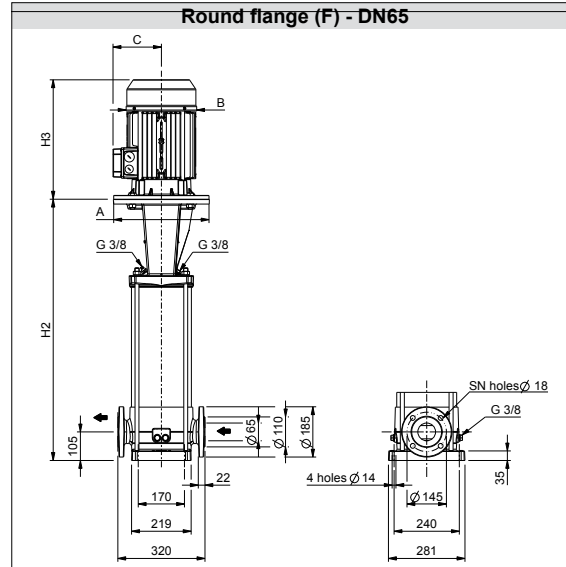
PERFORMANCE CURVE
EVMSG32



Test standard: ISO 9906:2012 - Grade 3B

TECHNICAL DATA EVMSG32

Dimensional sketch



Dimensions [mm] and Weights [Kg]

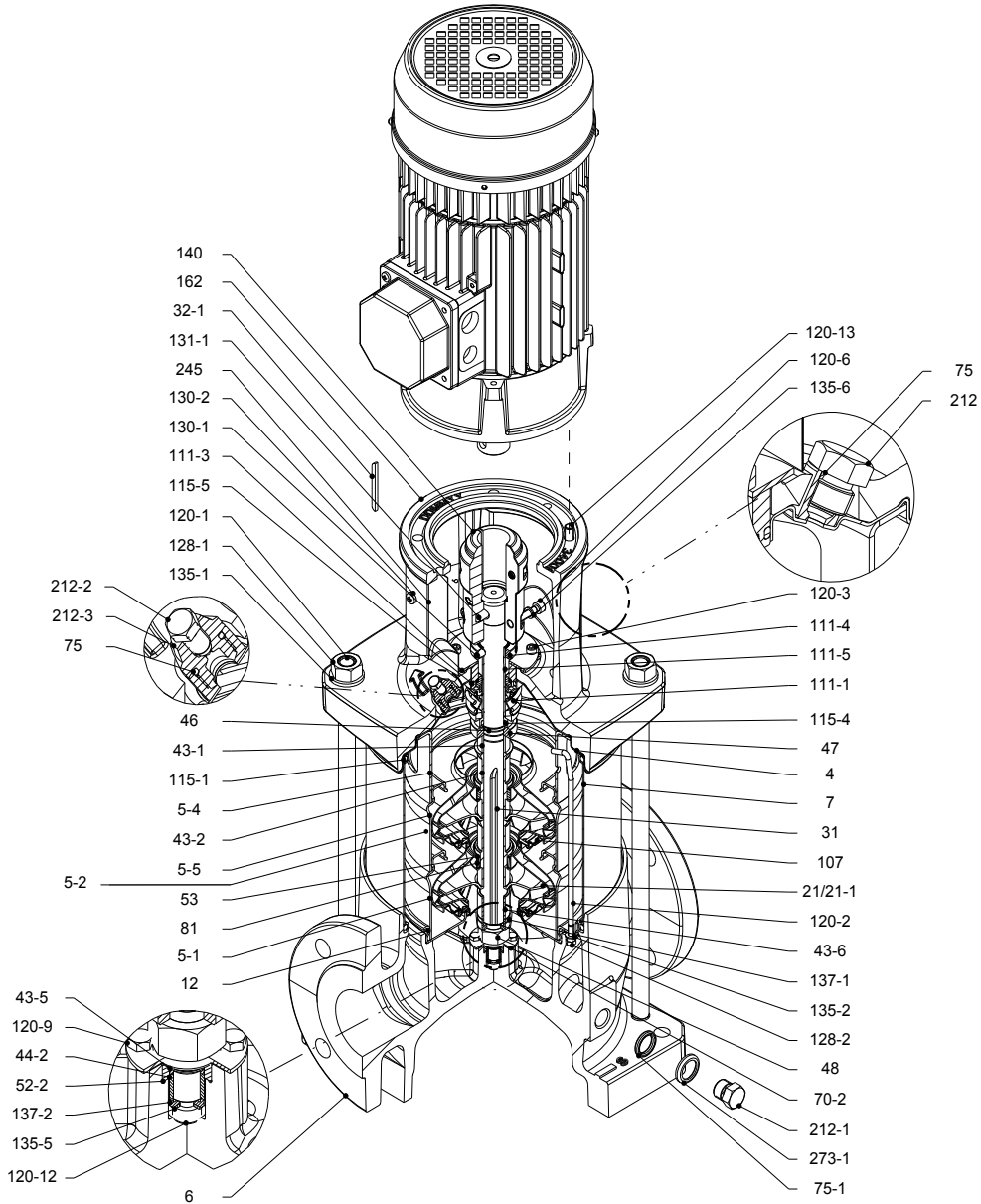
Pump Type	Pmax [MPa]	Motor					Round flange (F)				
		kW	Size	A Ø	B	C	H2	H2+H3	SN	Weight Pump	Weight Pump + Motor
EVMSG32 1-1/1.5	1.6	1.5	90	140	160	119	451	741	4	45.3	58.8
EVMSG32 1-0/2.2	1.6	2.2	90	140	160	119	451	741	4	45.3	60.3
EVMSG32 2-2/3.0	1.6	3.0	100	160	176	123	531	873	4	48.6	70.6
EVMSG32 2-0/4.0	1.6	4.0	112	160	193	138	531	896	4	48.6	77.1
EVMSG32 3-2/5.5	1.6	5.5	132	300	220	152	705	1105	4	62.4	101.4
EVMSG32 3-0/5.5	1.6	5.5	132	300	220	152	705	1105	4	62.4	101.4
EVMSG32 4-2/7.5	1.6	7.5	132	300	220	152	775	1195	4	65.7	111.7
EVMSG32 4-0/7.5	1.6	7.5	132	300	220	152	775	1195	4	65.7	111.7
EVMSG32 5-2/11	1.6	11	160	350	259	180	875	1314	4	75.7	138.2
EVMSG32 5-0/11	1.6	11	160	350	259	180	875	1314	4	75.7	138.2
EVMSG32 6-2/11	1.6	11	160	350	259	180	945	1384	4	79.0	141.5
EVMSG32 6-0/11	1.6	11	160	350	259	180	945	1384	4	79.0	141.5
EVMSG32 7-2/15	1.6	15	160	350	311	240	1015	1510	4	82.2	183.2
EVMSG32 7-0/15	1.6	15	160	350	311	240	1015	1510	4	82.2	183.2
EVMSG32 8-2/15	2.5	15	160	350	311	240	1085	1580	8	87.1	188.1
EVMSG32 8-0/15	2.5	15	160	350	311	240	1085	1580	8	87.1	188.1
EVMSG32 9-2/15	2.5	15	160	350	311	240	1155	1650	8	90.6	191.6
EVMSG32 9-1/15	2.5	15	160	350	311	240	1155	1650	8	90.6	191.6
EVMSG32 10-2/18.5	2.5	18.5	160	350	311	240	1225	1720	8	94.0	203.0
EVMSG32 10-0/18.5	2.5	18.5	160	350	311	240	1225	1720	8	94.0	203.0
EVMSG32 11-2/18.5	2.5	18.5	160	350	311	240	1295	1847	8	97.5	206.5
EVMSG32 11-1/18.5	2.5	18.5	160	350	311	240	1295	1847	8	97.5	206.5
EVMSG32 12-2/22	3.0	22	180	350	354	260	1365	1917	8	103.5	238.5
EVMSG32 12-0/22	3.0	22	180	350	354	260	1365	1917	8	103.5	238.5
EVMSG32 13-2/22	3.0	22	180	350	354	260	1435	1987	8	107.2	242.2
EVMSG32 13-0/22	3.0	22	180	350	354	260	1435	1987	8	107.2	242.2
EVMSG32 14-2/30	3.0	30	200	400	354	280	1505	2057	8	116.2	284.2
EVMSG32 14-0/30	3.0	30	200	400	354	280	1505	2057	8	116.2	284.2

1.6 MPa=16 bar;

2.5 MPa=25 bar;

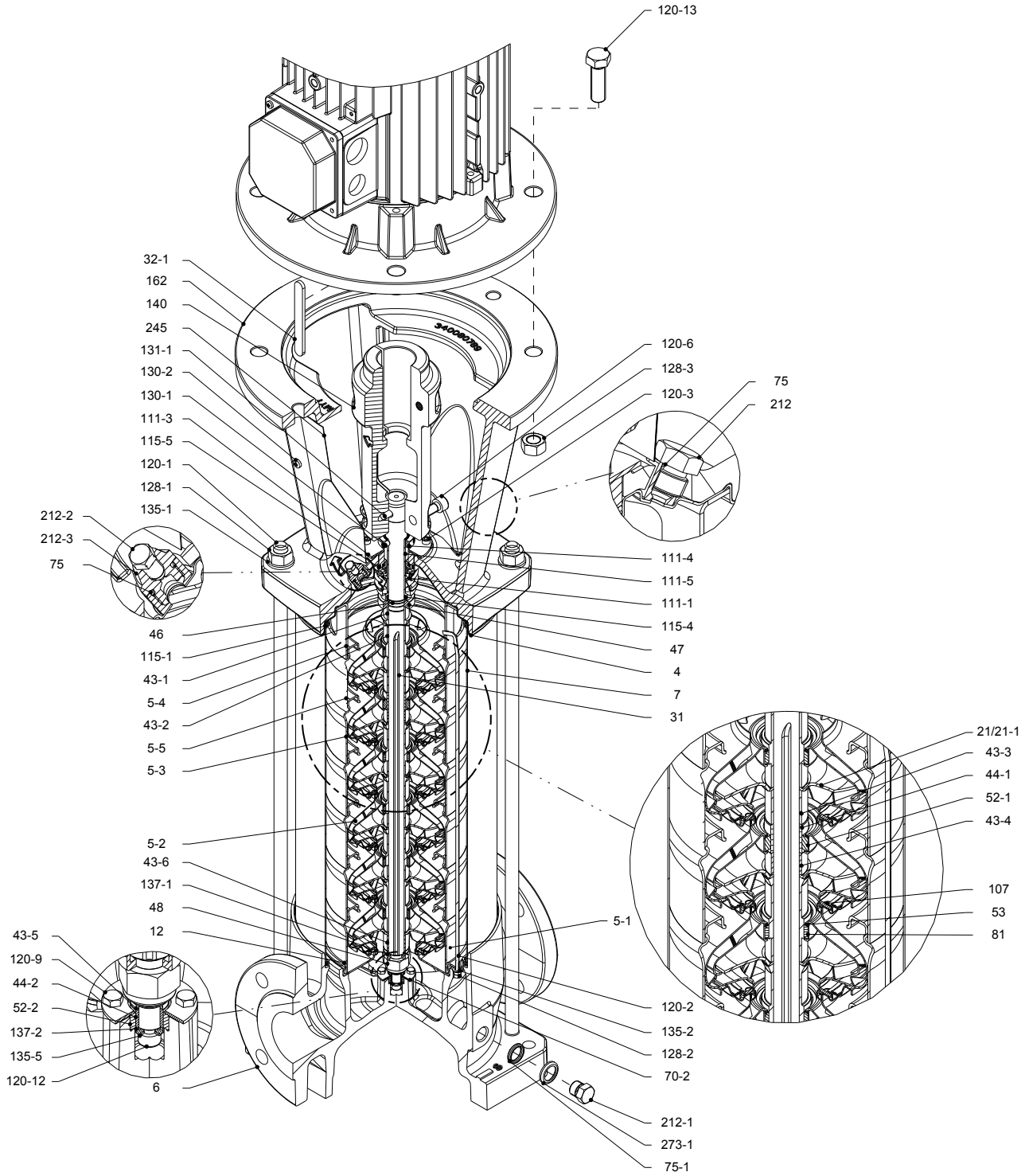
3.0 MPa=30 bar

SECTIONAL VIEW
EVMSG32



Pump without ball bearing
up to 4.0 kW

SECTIONAL VIEW EVMSG32



Pump without ball bearing
from 5.5 kW to 30 kW

SECTIONAL TABLE
EVMSG32

N°	PART NAME	MATERIAL EVMSG	DIMENSIONS	STANDARD
4	Casing cover	EN 1.4301 (AISI 304)		
5-1	Suction casing	EN 1.4301 (AISI 304)		
5-2	Intermediate casing	EN 1.4301 (AISI 304)		
5-3	Intermediate casing with bearing	EN 1.4301 (AISI 304)		
5-4	Discharge casing	EN 1.4301 (AISI 304)		
5-5	Top intermediate casing	EN 1.4301 (AISI 304)		
6	Bottom casing	Cast Iron EN GJL-250 EN 1561		
7	Outer casing	EN 1.4301 (AISI 304)		
12	Suction cover	EN 1.4301 (AISI 304)		
21	Impeller	EN 1.4301 (AISI 304)		
21-1	Reduced impeller	EN 1.4301 (AISI 304)		
31	Shaft	EN 1.4301 (AISI 304)		
32-1	Adjuster key	EN 1.4301 (AISI 304)		
43-1	Shaft sleeve (mechanical seal)	EN 1.4301 (AISI 304)		
43-2	Shaft sleeve (intermediate)	EN 1.4301 (AISI 304)		
43-3	Shaft sleeve (bearing)	EN 1.4301 (AISI 304)		
43-4	Shaft sleeve (adjustment)	EN 1.4301 (AISI 304)		
43-5	Shaft sleeve (last stage)	EN 1.4301 (AISI 304)		
43-6	Shaft sleeve (adjustment)	EN 1.4301 (AISI 304)		
44-1	Shaft sleeve bearing	Tungsten carbide		
44-2	Shaft sleeve (bearing)	Tungsten carbide		
46	Ring (mechanical seal)	EN 1.4404 (AISI 316L)		
47	Ring holder	EN 1.4301 (AISI 304)		
48	Impeller nut	EN 1.4301 (AISI 304) with inox insert		
52-1	Sleeve bearing	Tungsten carbide		
52-2	Bearing sleeve (bottom casing)	Tungsten carbide		
53	Bush holder	EN 1.4301 (AISI 304)		
70-2	Ring for bearing sleeve	EN 1.4301 (AISI 304)		
75	O-Ring (priming plug)	EPDM / FPM	Ø12.37x2.62	OR 3050
75-1	O-Ring (drainage plug)	EPDM / FPM		
81	Bush	PTFE		
107	Liner ring	EN 1.4301 (AISI 304) + PPS		
111-1	Mechanical seal	see pages 6-7		
111-3	Mechanical seal seat	EN 1.4301 (AISI 304)		
111-4	Seal holder	EN 1.4404 (AISI 316L)		
111-5	Mechanical seal cartridge sleeve	EN 1.4301 (AISI 304)		
115-1	O-Ring (outer casing)	EPDM / FPM	Ø240.66x5.34	OR 6945
115-4	O-Ring (cartridge sleeve)	EPDM / FPM	Ø23.39x3.53	OR 4093
115-5	O-Ring (seal flange)	EPDM / FPM	Ø47.22x3.53	OR 4187
120-1	Tie rod	EN 1.4057 (AISI 431)		
120-2	Tie rod (stage)	EN 1.4301 (AISI 304)		
120-3	Screw (seal flange)	A2-70	M5x12	ISO 4762

SECTIONAL TABLE EVMSG32

N°	PART NAME	MATERIAL EVMSG	DIMENSIONS	STANDARD	
120-6	Screw (pump coupling)	up to 4.0 kW	Galvanized steel 8.8 strength class ISO 898/1	M6x25	ISO 4762
		from 5.5 kW to 7.5 kW	Galvanized steel 8.8 strength class ISO 898/1	M8x25	ISO 4762
		above 11 kW	Galvanized steel 8.8 strength class ISO 898/1	M10x30	ISO 4762
120-9	Screw (bottom casing)	A2-70	M5x8	ISO 4017	
120-12	Screw (shaft)	A2-70	M6x16	ISO 4762	
120-13	Screw for motor	MEC 90-100-112	Galvanized steel 8.8 strength class ISO 898/1	M8x20	ISO 4017
		MEC 132	Galvanized steel 8.8 strength class ISO 898/1	M12x45	ISO 4017
		MEC 160-180	Galvanized steel 8.8 strength class ISO 898/1	M16x50	ISO 4017
		MEC 200-225	Galvanized steel 8.8 strength class ISO 898/1	M16x60	ISO 4014
128-1	Nut (tie rod)	A2-70	M16	ISO 4032	
128-2	Nut (casing tie rod)	A2-70	M5	ISO 4032	
128-3	Nut (motor)	MEC 132	Galvanized steel	M12	ISO 4032
		MEC 160-180-200-225	Galvanized steel	M16	ISO 4032
128-6	Nut (aluminium coupling)	MEC 90-100-112	Galvanized steel	M6	ISO 4032
130-1	Set screw	EN 1.4301 (AISI 304)	M6x8	ISO 4026	
130-2	Screw for coupling guard	A2-70	M5x6	UNI 7687	
131-1	Pin for shaft	up to 4.0 kW	Carbon Steel	Ø8x42	ISO 2338
		above 5.5 kW	Carbon Steel	Ø8x50	ISO 2338
135-1	Washer (tie rod)	EN 1.4301 (AISI 304)	Ø16	ISO 7089	
135-2	Washer (casing tie rod)	EN 1.4301 (AISI 304)	Ø5,1	UNI 1751	
135-5	Washer (impeller nut)	EN 1.4301 (AISI 304)			
135-6	Washer (aluminium coupling)	up to 4.0 kW	Carbon Steel		
137-1	Impeller spacer	EN 1.4301 (AISI 304)			
137-2	Shaft spacer	EN 1.4301 (AISI 304)			
140	Coupling	up to 4.0 kW	Die cast Aluminium EN AB-AISI11 Cu2 (Fe)		
		from 5.5 kW to 30 kW	Cast Iron EN GJL250 EN 1561		
162	Motor bracket	up to 30 kW	Cast Iron EN GJS 400-15 EN 1563		
212	Priming plug	EN 1.4301 (AISI 304)			
212-1	Drainage plug	EN 1.4301 (AISI 304)			
212-2	Venting plug	EN 1.4401 (AISI 316)			
212-3	Priming plug	EN 1.4301 (AISI 304)			
245	Coupling guard	EN 1.4301 (AISI 304)			
273-1	Washer (drainage plug)	EN 1.4301 (AISI 304)			

QUANTITY FOR MODEL
EVMSG32

Pump Type	1N°																													
	4	5-1	5-2	5-3	5-4	5-5	6	7	12	21	21-1	31	32-1	43-1	43-2	43-3	43-4	43-5	43-6	44-1	44-2	46	47	48	52-1	52-2	53	70-2	75	
EVMSG32 1-1/1.5	1	1	/	/	1	/	1	1	1	/	1	1	1	1	/	/	1	1	/	1	1	1	1	1	/	1	1	1	2	
EVMSG32 1-0/2.2	1	1	/	/	1	/	1	1	1	1	/	1	1	1	1	/	/	1	1	/	1	1	1	1	/	1	1	1	2	
EVMSG32 2-2/3.0	1	1	/	/	1	1	1	1	1	/	2	1	1	1	2	/	/	1	1	/	1	1	1	1	/	1	2	1	2	
EVMSG32 2-0/4.0	1	1	/	/	1	1	1	1	1	2	/	1	1	1	2	/	/	1	1	/	1	1	1	1	/	1	2	1	2	
EVMSG32 3-2/5.5	1	1	/	1	1	1	1	1	1	1	2	1	1	1	2	1	1	1	1	1	1	1	1	1	1	1	1	2	1	2
EVMSG32 3-0/5.5	1	1	/	1	1	1	1	1	1	3	/	1	1	1	2	1	1	1	1	1	1	1	1	1	1	1	1	2	1	2
EVMSG32 4-2/7.5	1	1	1	1	1	1	1	1	1	2	2	1	1	1	3	1	1	1	1	1	1	1	1	1	1	1	1	4	1	2
EVMSG32 4-0/7.5	1	1	1	1	1	1	1	1	1	4	/	1	1	1	3	1	1	1	1	1	1	1	1	1	1	1	1	4	1	2
EVMSG32 5-2/11	1	1	2	1	1	1	1	1	1	3	2	1	1	1	4	1	1	1	1	1	1	1	1	1	1	1	1	5	1	2
EVMSG32 5-0/11	1	1	2	1	1	1	1	1	1	5	/	1	1	1	4	1	1	1	1	1	1	1	1	1	1	1	1	5	1	2
EVMSG32 6-2/11	1	1	3	1	1	1	1	1	1	4	2	1	1	1	5	1	1	1	1	1	1	1	1	1	1	1	1	6	1	2
EVMSG32 6-0/11	1	1	3	1	1	1	1	1	1	6	/	1	1	1	5	1	1	1	1	1	1	1	1	1	1	1	1	6	1	2
EVMSG32 7-2/15	1	1	4	1	1	1	1	1	1	5	2	1	1	1	6	1	1	1	1	1	1	1	1	1	1	1	1	7	1	2
EVMSG32 7-0/15	1	1	4	1	1	1	1	1	1	7	/	1	1	1	6	1	1	1	1	1	1	1	1	1	1	1	1	7	1	2
EVMSG32 8-2/15	1	1	5	1	1	1	1	1	1	6	2	1	1	1	7	1	1	1	1	1	1	1	1	1	1	1	1	8	1	2
EVMSG32 8-0/15	1	1	5	1	1	1	1	1	1	8	/	1	1	1	7	1	1	1	1	1	1	1	1	1	1	1	1	8	1	2
EVMSG32 9-2/15	1	1	6	1	1	1	1	1	1	7	2	1	1	1	8	1	1	1	1	1	1	1	1	1	1	1	1	9	1	2
EVMSG32 9-1/15	1	1	6	1	1	1	1	1	1	8	1	1	1	1	8	1	1	1	1	1	1	1	1	1	1	1	1	9	1	2
EVMSG32 10-2/18.5	1	1	7	1	1	1	1	1	1	8	2	1	1	1	9	1	1	1	1	1	1	1	1	1	1	1	1	10	1	2
EVMSG32 10-0/18.5	1	1	7	1	1	1	1	1	1	10	/	1	1	1	9	1	1	1	1	1	1	1	1	1	1	1	1	10	1	2
EVMSG32 11-2/18.5	1	1	7	2	1	1	1	1	1	9	2	1	1	1	9	2	2	1	1	2	1	1	1	1	1	2	1	10	1	2
EVMSG32 11-1/18.5	1	1	7	2	1	1	1	1	1	10	1	1	1	1	9	2	2	1	1	2	1	1	1	1	1	2	1	10	1	2
EVMSG32 12-2/22	1	1	8	2	1	1	1	1	1	10	2	1	1	1	10	2	2	1	1	2	1	1	1	1	1	2	1	11	1	2
EVMSG32 12-0/22	1	1	8	2	1	1	1	1	1	12	/	1	1	1	10	2	2	1	1	2	1	1	1	1	1	2	1	11	1	2
EVMSG32 13-2/22	1	1	9	2	1	1	1	1	1	11	2	1	1	1	11	2	2	1	1	2	1	1	1	1	1	2	1	12	1	2
EVMSG32 13-0/22	1	1	9	2	1	1	1	1	1	13	/	1	1	1	11	2	2	1	1	2	1	1	1	1	1	2	1	12	1	2
EVMSG32 14-2/30	1	1	10	2	1	1	1	1	1	12	2	1	1	1	12	2	2	1	1	2	1	1	1	1	1	2	1	13	1	2
EVMSG32 14-0/30	1	1	10	2	1	1	1	1	1	14	/	1	1	1	12	2	2	1	1	2	1	1	1	1	1	2	1	13	1	2

Pump Type	N°																											
	75-1	81	107	111-1	111-3	111-4	111-5	115-1	115-4	115-5	120-1	120-2	120-3	120-6	120-9	120-12	120-13	128-1	128-2	128-3	128-6	130-1	130-2	131-1	135-1	135-2	135-5	135-6
EVMSG32 1-1/1.5	4	1	1	1	1	1	1	2	1	1	4	2	4	4	4	1	4	4	8	/	4	3	4	1	4	2	1	4
EVMSG32 1-0/2.2	4	1	1	1	1	1	1	2	1	1	4	2	4	4	4	1	4	4	8	/	4	3	4	1	4	2	1	4
EVMSG32 2-2/3.0	4	2	2	1	1	1	1	2	1	1	4	2	4	4	4	1	4	4	8	/	4	3	4	1	4	2	1	4
EVMSG32 2-0/4.0	4	2	2	1	1	1	1	2	1	1	4	2	4	4	4	1	4	4	8	/	4	3	4	1	4	2	1	4
EVMSG32 3-2/5.5	4	2	3	1	1	1	1	2	1	1	4	2	4	4	4	1	4	4	8	/	/	3	4	1	4	2	1	/
EVMSG32 3-0/5.5	4	2	3	1	1	1	1	2	1	1	4	2	4	4	4	1	4	4	8	/	/	3	4	1	4	2	1	/
EVMSG32 4-2/7.5	4	3	4	1	1	1	1	2	1	1	4	2	4	4	4	1	4	4	8	/	/	3	4	1	4	2	1	/
EVMSG32 4-0/7.5	4	3	4	1	1	1	1	2	1	1	4	2	4	4	4	1	4	4	8	/	/	3	4	1	4	2	1	/
EVMSG32 5-2/11	4	4	5	1	1	1	1	2	1	1	4	2	4	4	4	1	4	4	4	4	/	3	4	1	4	2	1	/
EVMSG32 5-0/11	4	4	5	1	1	1	1	2	1	1	4	2	4	4	4	1	4	4	4	4	/	3	4	1	4	2	1	/
EVMSG32 6-2/11	4	5	6	1	1	1	1	2	1	1	4	2	4	4	4	1	4	4	4	4	/	3	4	1	4	2	1	/
EVMSG32 6-0/11	4	5	6	1	1	1	1	2	1	1	4	2	4	4	4	1	4	4	4	4	/	3	4	1	4	2	1	/
EVMSG32 7-2/15	4	6	7	1	1	1	1	2	1	1	4	2	4	4	4	1	4	4	4	4	/	3	4	1	4	2	1	/
EVMSG32 7-0/15	4	6	7	1	1	1	1	2	1	1	4	2	4	4	4	1	4	4	4	4	/	3	4	1	4	2	1	/
EVMSG32 8-2/15	4	7	8	1	1	1	1	2	1	1	4	2	4	4	4	1	4	4	4	4	/	3	4	1	4	2	1	/
EVMSG32 8-0/15	4	7	8	1	1	1	1	2	1	1	4	2	4	4	4	1	4	4	4	4	/	3	4	1	4	2	1	/
EVMSG32 9-2/15	4	8	9	1	1	1	1	2	1	1	4	2	4	4	4	1	4	4	4	4	/	3	4	1	4	2	1	/
EVMSG32 9-1/15	4	8	9	1	1	1	1	2	1	1	4	2	4	4	4	1	4	4	4	4	/	3	4	1	4	2	1	/
EVMSG32 10-2/18.5	4	9	10	1	1	1	1	2	1	1	4	2	4	4	4	1	4	4	4	4	/	3	4	1	4	2	1	/
EVMSG32 10-0/18.5	4	9	10	1	1	1	1	2	1	1	4	2	4	4	4	1	4	4	4	4	/	3	4	1	4	2	1	/
EVMSG32 11-2/18.5	4	9	11	1	1	1	1	2	1	1	4	2	4	4	4	1	4	4	4	4	/	3	4	1	4	2	1	/
EVMSG32 11-1/18.5	4	9	11	1	1	1	1	2	1	1	4	2	4	4	4	1	4	4	4	4	/	3	4	1	4	2	1	/
EVMSG32 12-2/22	4	10	12	1	1	1	1	2	1	1	4	2	4	4	4	1	4	4	4	4	/	3	4	1	4	2	1	/
EVMSG32 12-0/22	4	10	12	1	1	1	1	2	1	1	4	2	4	4	4	1	4	4	4	4	/	3	4	1	4	2	1	/
EVMSG32 13-2/22	4	11	13	1	1	1	1	2	1	1	4	2	4	4	4	1	4	4	4	4	/	3	4	1	4	2	1	/
EVMSG32 13-0/22	4	11	13	1	1	1	1	2	1	1	4	2	4	4	4	1	4	4	4	4	/	3	4	1	4	2	1	/
EVMSG32 14-2/30	4	12	14	1	1	1	1	2	1	1	4	2	4	4	4	1	4	4	4	4	/	3	4	1	4	2	1	/
EVMSG32 14-0/30	4	12	14	1	1	1	1	2	1	1	4	2	4	4	4	1	4	4	4	4	/	3	4	1	4	2	1	/

QUANTITY FOR MODEL EVMSG32

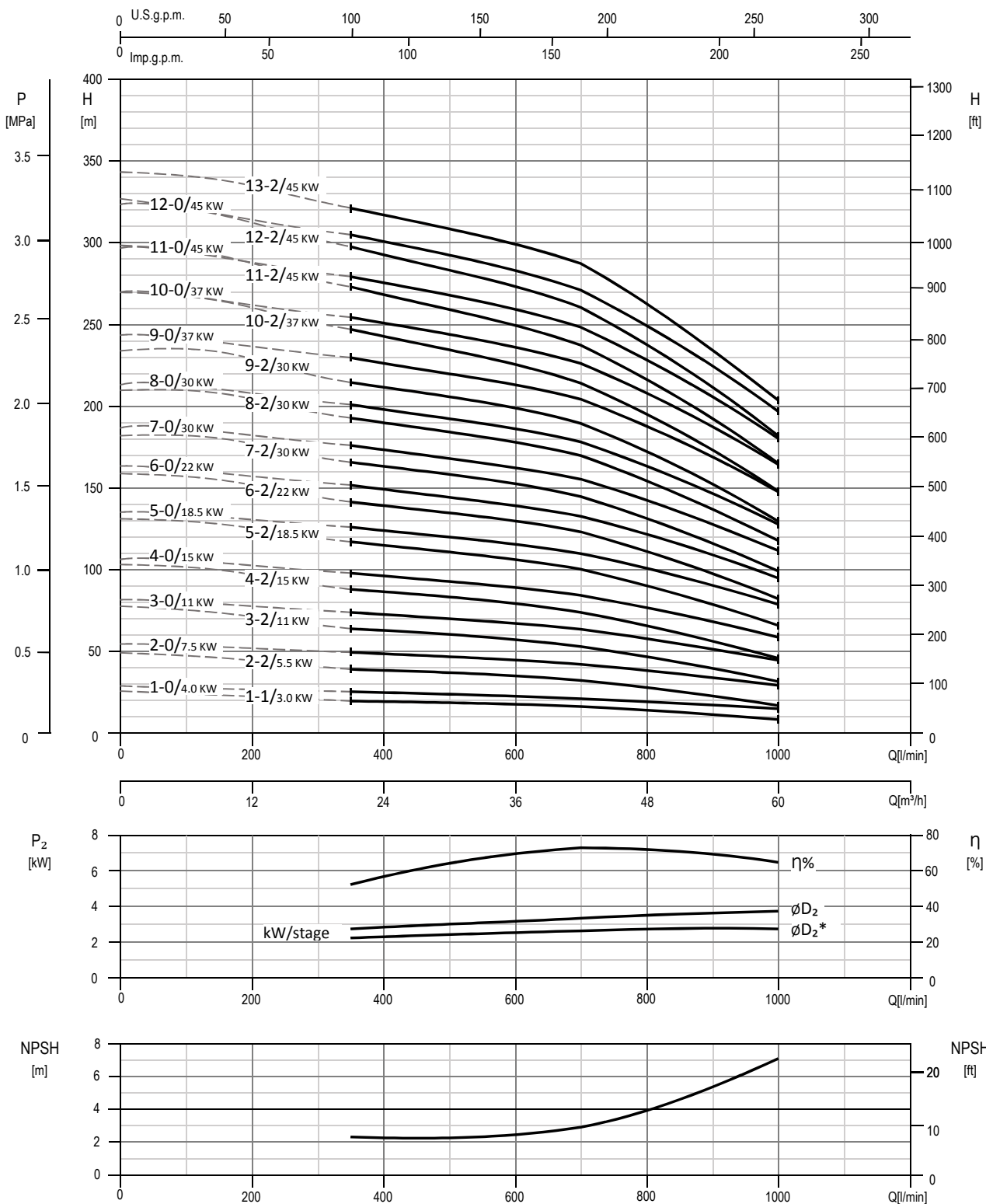
Pump Type	N°									
	137-1	137-2	140	162	212	212-1	212-2	212-3	245	273-1
EVMSG32 1-1/1.5	1	1	2	1	1	4	1	1	2	4
EVMSG32 1-0/2.2	1	1	2	1	1	4	1	1	2	4
EVMSG32 2-2/3.0	1	1	2	1	1	4	1	1	2	4
EVMSG32 2-0/4.0	1	1	2	1	1	4	1	1	2	4
EVMSG32 3-2/5.5	1	1	2	1	1	4	1	1	2	4
EVMSG32 3-0/5.5	1	1	2	1	1	4	1	1	2	4
EVMSG32 4-2/7.5	1	1	2	1	1	4	1	1	2	4
EVMSG32 4-0/7.5	1	1	2	1	1	4	1	1	2	4
EVMSG32 5-2/11	1	1	2	1	1	4	1	1	2	4
EVMSG32 5-0/11	1	1	2	1	1	4	1	1	2	4
EVMSG32 6-2/11	1	1	2	1	1	4	1	1	2	4
EVMSG32 6-0/11	1	1	2	1	1	4	1	1	2	4
EVMSG32 7-2/15	1	1	2	1	1	4	1	1	2	4
EVMSG32 7-0/15	1	1	2	1	1	4	1	1	2	4
EVMSG32 8-2/15	1	1	2	1	1	4	1	1	2	4
EVMSG32 8-0/15	1	1	2	1	1	4	1	1	2	4
EVMSG32 9-2/15	1	1	2	1	1	4	1	1	2	4
EVMSG32 9-1/15	1	1	2	1	1	4	1	1	2	4
EVMSG32 10-2/18.5	1	1	2	1	1	4	1	1	2	4
EVMSG32 10-0/18.5	1	1	2	1	1	4	1	1	2	4
EVMSG32 11-2/18.5	1	1	2	1	1	4	1	1	2	4
EVMSG32 11-1/18.5	1	1	2	1	1	4	1	1	2	4
EVMSG32 12-2/22	1	1	2	1	1	4	1	1	2	4
EVMSG32 12-0/22	1	1	2	1	1	4	1	1	2	4
EVMSG32 13-2/22	1	1	2	1	1	4	1	1	2	4
EVMSG32 13-0/22	1	1	2	1	1	4	1	1	2	4
EVMSG32 14-2/30	1	1	2	1	1	4	1	1	2	4
EVMSG32 14-0/30	1	1	2	1	1	4	1	1	2	4

BEARINGS EVMSG32

Pump Type	N° 56
EVMSG32 1-1/1.5	/
EVMSG32 1-0/2.2	/
EVMSG32 2-2/3.0	/
EVMSG32 2-0/4.0	/
EVMSG32 3-2/5.5	/
EVMSG32 3-0/5.5	/
EVMSG32 4-2/7.5	/
EVMSG32 4-0/7.5	/
EVMSG32 5-2/11	/
EVMSG32 5-0/11	/
EVMSG32 6-2/11	/
EVMSG32 6-0/11	/
EVMSG32 7-2/15	/
EVMSG32 7-0/15	/
EVMSG32 8-2/15	/
EVMSG32 8-0/15	/
EVMSG32 9-2/15	/
EVMSG32 9-1/15	/
EVMSG32 10-2/18.5	/
EVMSG32 10-0/18.5	/
EVMSG32 11-2/18.5	/
EVMSG32 11-1/18.5	/
EVMSG32 12-2/22	/
EVMSG32 12-0/22	/
EVMSG32 13-2/22	/
EVMSG32 13-0/22	/
EVMSG32 14-2/30	/
EVMSG32 14-0/30	/

PERFORMANCE CURVE
EVMS(L)45

EVMS(L)45



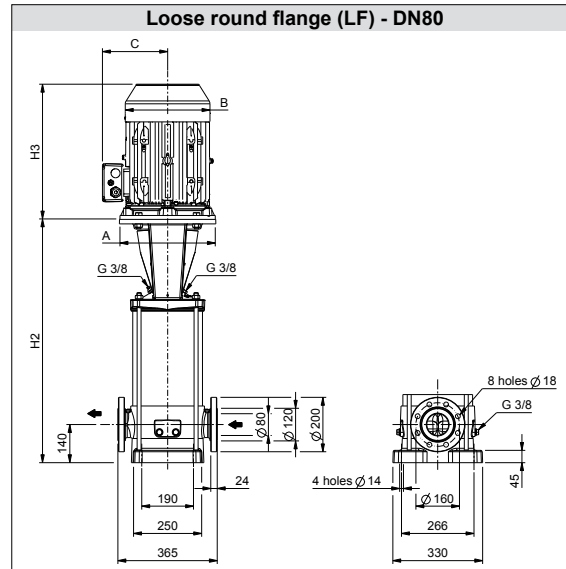
Test standard: ISO 9906:2012 - Grade 3B

TECHNICAL DATA EVMS(L)45

2.15

EVMS(L)45

Dimensional sketch



Dimensions [mm] and Weights [Kg]

Pump Type	P _{max} [MPa]	Motor					Loose round flange (LF)			Weight Pump	Weight Pump + Motor
		kW	Size	A Ø	B	C	H2	H2+H3			
EVMS(L)45 1-1/3.0	1.6	3.0	100	160	176	123	546	888	62.4	84.4	
EVMS(L)45 1-0/4.0	1.6	4.0	112	160	193	138	546	910	62.4	90.9	
EVMS(L)45 2-2/5.5	1.6	5.5	132	300	220	152	722	1121	77.7	116.7	
EVMS(L)45 2-0/7.5	1.6	7.5	132	300	220	152	722	1141	77.7	123.7	
EVMS(L)45 3-2/11	1.6	11	160	350	259	180	824	1263	89.9	152.4	
EVMS(L)45 3-0/11	1.6	11	160	350	259	180	824	1263	89.9	152.4	
EVMS(L)45 4-2/15	1.6	15	160	350	311	240	896	1391	96.4	197.4	
EVMS(L)45 4-0/15	1.6	15	160	350	311	240	896	1391	96.4	197.4	
EVMS(L)45 5-2/18.5	1.6	18.5	160	350	311	240	968	1463	101.7	210.7	
EVMS(L)45 5-0/18.5	1.6	18.5	160	350	311	240	968	1463	101.7	210.7	
EVMS(L)45 6-2/22	2.5	22	180	350	354	260	1040	1592	107.1	242.1	
EVMS(L)45 6-0/22	2.5	22	180	350	354	260	1040	1592	107.1	242.1	
EVMS(L)45 7-2/30	2.5	30	200	400	354	280	1112	1664	117.7	285.7	
EVMS(L)45 7-0/30	2.5	30	200	400	354	280	1112	1664	117.7	285.7	
EVMS(L)45 8-2/30	2.5	30	200	400	354	280	1184	1736	123.0	291.0	
EVMS(L)45 8-0/30	2.5	30	200	400	354	280	1184	1736	123.0	291.0	
EVMS(L)45 9-2/30	2.5	30	200	400	354	280	1256	1808	128.5	296.5	
EVMS(L)45 9-0/37	2.5	37	200	400	382	295	1273	1950	140.0	400.0	
EVMS(L)45 10-2/37	3.5	37	200	400	382	295	1345	2022	145.2	405.2	
EVMS(L)45 10-0/37	3.5	37	200	400	382	295	1345	2022	145.2	405.2	
EVMS(L)45 11-2/45	3.5	45	225	450	449	335	1417	2183	156.1	530.1	
EVMS(L)45 11-0/45	3.5	45	225	450	449	335	1417	2183	156.1	530.1	
EVMS(L)45 12-2/45	3.5	45	225	450	449	335	1489	2255	161.4	535.4	
EVMS(L)45 12-0/45	3.5	45	225	450	449	335	1489	2255	161.4	535.4	
EVMS(L)45 13-2/45	3.5	45	225	450	449	335	1561	2327	166.7	540.7	

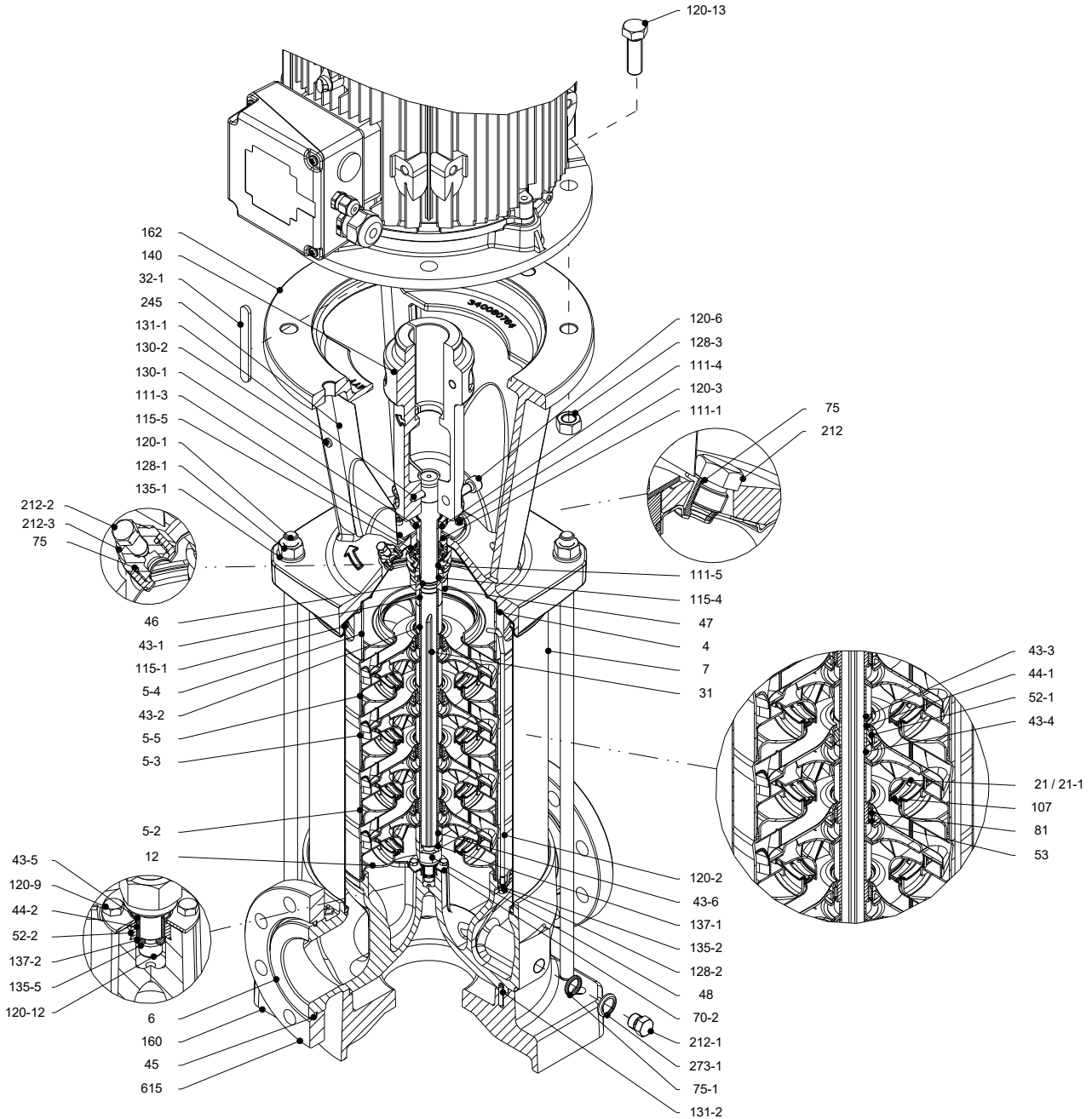
1.6 MPa=16 bar;

2.5 MPa=25 bar;

3.5 MPa=35 bar

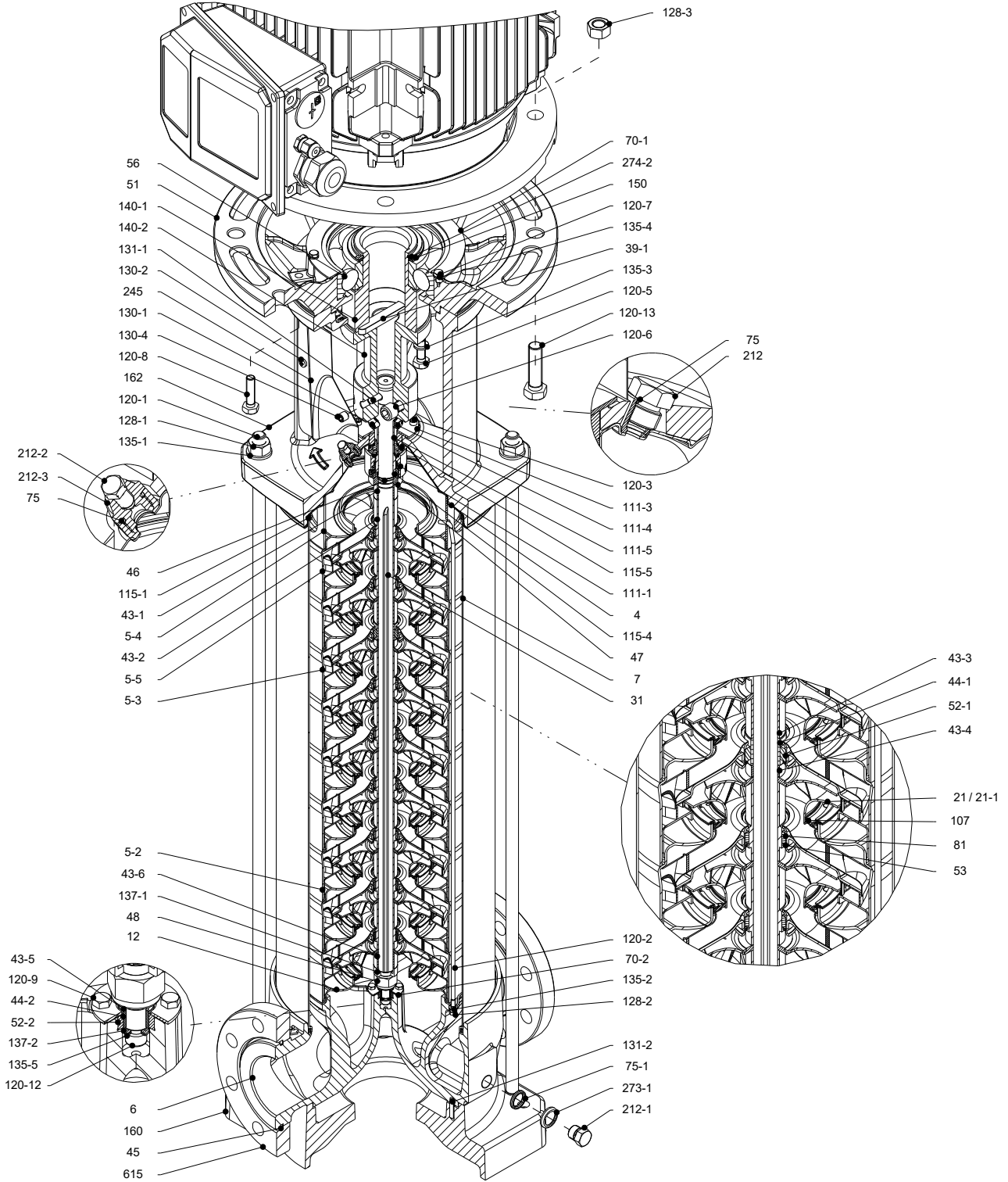
SECTIONAL VIEW
EVMS(L)45

EVMS(L)45



Pump without ball bearing
up to 30 kW

SECTIONAL VIEW EVMS(L)45



Pump with single ball bearing
above 37 kW

SECTIONAL TABLE
EVMS(L)45

N°	PART NAME	MATERIAL		DIMENSIONS	STANDARD
		EVMS	EVMSL		
4	Casing cover	EN 1.4301 (AISI 304)	EN 1.4404 (AISI 316L)		
5-2	Intermediate casing	EN 1.4301 (AISI 304)	EN 1.4404 (AISI 316L)		
5-3	Intermediate casing with bearing	EN 1.4301 (AISI 304)	EN 1.4404 (AISI 316L)		
5-4	Discharge casing	EN 1.4301 (AISI 304)	EN 1.4404 (AISI 316L)		
5-5	Top intermediate casing	EN 1.4301 (AISI 304)	EN 1.4404 (AISI 316L)		
6	Bottom casing	EN 1.4308 (ASTM CF8)	EN 1.4408 (ASTM CF8M)		
7	Outer casing	EN 1.4301 (AISI 304)	EN 1.4404 (AISI 316L)		
12	Suction cover	EN 1.4301 (AISI 304)	EN 1.4404 (AISI 316L)		
21	Impeller	EN 1.4301 (AISI 304)	EN 1.4404 (AISI 316L)		
21-1	Reduced impeller	EN 1.4301 (AISI 304)	EN 1.4404 (AISI 316L)		
31	Shaft	EN 1.4301 (AISI 304)	EN 1.4404 (AISI 316L) - EN 1.4462 (AISI 329A)		
32-1	Adjuster key	EN 1.4301 (AISI 304)			
39-1	Coupling key	Carbon Steel			
43-1	Shaft sleeve (mechanical seal)	EN 1.4301 (AISI 304)	EN 1.4404 (AISI 316L)		
43-2	Shaft sleeve (intermediate)	EN 1.4301 (AISI 304)	EN 1.4404 (AISI 316L)		
43-3	Shaft sleeve (bearing)	EN 1.4301 (AISI 304)	EN 1.4404 (AISI 316L)		
43-4	Shaft sleeve (adjustment)	EN 1.4301 (AISI 304)	EN 1.4404 (AISI 316L)		
43-5	Shaft sleeve (last stage)	EN 1.4301 (AISI 304)	EN 1.4404 (AISI 316L)		
43-6	Shaft sleeve (adjustment)	EN 1.4301 (AISI 304)	EN 1.4404 (AISI 316L)		
44-1	Shaft sleeve bearing	Tungsten carbide			
44-2	Shaft sleeve (bearing)	Tungsten carbide			
45	Flange holder	EN 1.4301 (AISI 304)			
46	Ring (mechanical seal)	EN 1.4404 (AISI 316L)			
47	Ring holder	EN 1.4404 (AISI 316L)			
48	Impeller nut	EN 1.4301 (AISI 304) with inox insert	EN 1.4401 (AISI 316) with inox insert		
51	Motor adapter	Cast Iron EN GJL250 EN 1561			
52-1	Sleeve bearing	Tungsten carbide			
52-2	Bearing sleeve (bottom casing)	Tungsten carbide			
53	Bush holder	EN 1.4301 (AISI 304)	EN 1.4404 (AISI 316L)		
56	Ball bearing	above 37 kW see table page 111			
70-1	Ring for ball bearing	above 37 kW EN 1.4301 (AISI 304)			
70-2	Ring for bearing sleeve	EN 1.4301 (AISI 304)	EN 1.4404 (AISI 316L)		
75	O-Ring (priming plug)	EPDM / FPM		Ø12.37x2.62	OR 3050
75-1	O-Ring (drainage plug)	EPDM / FPM			
81	Bush	PTFE			
107	Liner ring	EN 1.4301 (AISI 304) + PPS	EN 1.4404 (AISI 316L) + PPS		
111-1	Mechanical seal	see pages 6-7			
111-3	Mechanical seal seat	EN 1.4301 (AISI 304)	EN 1.4401 (AISI 316)		
111-4	Seal holder	EN 1.4404 (AISI 316L)			
111-5	Mechanical seal cartridge sleeve	EN 1.4301 (AISI 304)	EN 1.4404 (AISI 316L)		
115-1	O-Ring (outer casing)	EPDM / FPM		Ø240.66x5.34	OR 6945
115-4	O-Ring (cartridge sleeve)	EPDM / FPM		Ø23.39x3.53	OR 4093
115-5	O-Ring (seal flange)	EPDM / FPM		Ø47.22x3.53	OR 4187
120-1	Tie rod	EN 1.4057 (AISI 431)			
120-2	Tie rod (stage)	EN 1.4301 (AISI 304)	EN 1.4401 (AISI 316)		
120-3	Screw (seal flange)	A2-70		M5x12	ISO 4762
120-5	Screw (extension coupling)	above 37 kW Galvanized steel 8.8 strength class ISO 898/1		M10x30	ISO 4017

SECTIONAL TABLE EVMS(L)45

N°	PART NAME	MATERIAL		DIMENSIONS	STANDARD	
		EVMS	EVMSL			
120-6	Screw (pump coupling)	up to 4.0 kW	Galvanized steel 8.8 strength class ISO 898/1		M6x25	ISO 4762
		from 5.5 kW to 7.5 kW	Galvanized steel 8.8 strength class ISO 898/1		M8x25	ISO 4762
		from 11 kW to 30 kW	Galvanized steel 8.8 strength class ISO 898/1		M10x30	ISO 4762
		above 37 kW	Galvanized steel 8.8 strength class ISO 898/1		M12x30	ISO 4762
120-7	Screw (ball bearing)	above 37 kW	Galvanized steel 8.8 strength class ISO 898/1		M6x10	ISO 4017
120-8	Screw (motor adapter)	above 37 kW	Galvanized steel 8.8 strength class ISO 898/1		M10x40	ISO 4017
120-9	Screw (bottom casing)		A2-70	A4-70	M5x8	ISO 4017
120-12	Screw (shaft)		A2-70	A4-70	M6x16	ISO 4762
120-13	Screw for motor	MEC 100-112	Galvanized steel 8.8 strength class ISO 898/1		M8x20	ISO 4017
		MEC 132	Galvanized steel 8.8 strength class ISO 898/1		M12x45	ISO 4017
		MEC 160-180	Galvanized steel 8.8 strength class ISO 898/1		M16x50	ISO 4017
		MEC 200-225	Galvanized steel 8.8 strength class ISO 898/1		M16x60	ISO 4014
128-1	Nut (tie rod)		A2-70		M16	ISO 4032
128-2	Nut (casing tie rod)		A2-70	A4-70	M5	ISO 4032
128-3	Nut (motor)	MEC 132	Galvanized steel		M12	ISO 4032
		MEC 160-180-200-225	Galvanized steel		M16	ISO 4032
128-6	Nut (aluminium coupling)	MEC 100-112	Galvanized steel		M6	ISO 4032
130-1	Set screw		EN 1.4301 (AISI 304)		M6x8	ISO 4026
130-2	Screw for coupling guard		A2-70		M5x6	UNI 7687
130-4	Set screw (pump coupling)	above 37 kW	Galvanized steel		M10x10	ISO 4026
131-1	Pin for shaft	up to 4.0 kW	Carbon Steel		Ø8x42	ISO 2338
		above 5.5 kW	Carbon Steel		Ø8x50	ISO 2338
131-2	Elastic pin		EN 1.4301 (AISI 304)		Ø6x26	ISO 8752
135-1	Washer (tie rod)		EN 1.4301 (AISI 304)		Ø16	ISO 7089
135-2	Washer (casing tie rod)		EN 1.4301 (AISI 304)	EN 1.4404 (AISI 316)	Ø5,1	UNI 1751
135-3	Washer (extension coupling)	above 37 kW	Galvanized steel		Ø10,2	UNI 1751
135-4	Washer (ball bearing)	above 37 kW	Plated carbon steel		Ø6,1	UNI 1751
135-5	Washer (impeller nut)		EN 1.4301 (AISI 304)	EN 1.4404 (AISI 316L)		
135-6	Washer (aluminium coupling)	up to 4.0 kW	Carbon Steel			
137-1	Impeller spacer		EN 1.4301 (AISI 304)	EN 1.4404 (AISI 316L)		
137-2	Shaft spacer		EN 1.4301 (AISI 304)	EN 1.4404 (AISI 316L)		
140	Coupling	up to 4.0 kW	Die cast Aluminium EN AB-AISI11 Cu2 (Fe)			
		from 5.5 kW to 30 kW	Cast Iron EN GJL250 EN 1561			
140-1	Extension coupling	above 37 kW	Carbon Steel			
140-2	Coupling	above 37 kW	Carbon Steel			
150	Spacer (snap ring)	above 37 kW	Carbon Steel			
160	Base		Cast Iron EN GJL200 EN 1561			
162	Motor bracket	up to 30 kW	Cast Iron EN GJS 400-15 EN 1563			
212	Priming plug		EN 1.4301 (AISI 304)	EN 1.4404 (AISI 316L)		
212-1	Drainage plug		EN 1.4301 (AISI 304)	EN 1.4404 (AISI 316L)		
212-2	Venting plug		EN 1.4401 (AISI 316)			
212-3	Priming plug		EN 1.4301 (AISI 304)	EN 1.4404 (AISI 316L)		
245	Coupling guard		EN 1.4301 (AISI 304)			
273-1	Washer (drainage plug)		EN 1.4301 (AISI 304)	EN 1.4404 (AISI 316L)		
274-2	C-type snap ring (coupling)	above 37 kW	Carbon Steel TC80		Ø75	UNI 7435
615	Loose flange		Cast Iron EN GJS 500-7 EN 1563			

QUANTITY FOR MODEL EVMS(L)45

EVMS(L)45

Pump Type	N°																													
	4	5-2	5-3	5-4	5-5	6	7	12	21	21-1	31	32-1	39-1	43-1	43-2	43-3	43-4	43-5	43-6	44-1	44-2	45	46	47	48	51	52-1	52-2		
EVMS(L)45 1-1/3.0	1	/	/	1	1	1	1	1	/	1	1	1	/	1	1	/	/	1	1	/	1	4	1	1	1	/	/	1		
EVMS(L)45 1-0/4.0	1	/	/	1	1	1	1	1	1	/	1	1	/	1	1	/	/	1	1	/	1	4	1	1	1	/	/	1		
EVMS(L)45 2-2/5.5	1	1	/	1	1	1	1	1	/	2	1	1	/	1	2	/	/	1	1	/	1	4	1	1	1	/	/	1		
EVMS(L)45 2-0/7.5	1	1	/	1	1	1	1	1	2	/	1	1	/	1	2	/	/	1	1	/	1	4	1	1	1	/	/	1		
EVMS(L)45 3-2/11	1	1	1	1	1	1	1	1	1	2	1	1	/	1	2	1	1	1	1	1	1	4	1	1	1	/	1	1		
EVMS(L)45 3-0/11	1	1	1	1	1	1	1	1	3	/	1	1	/	1	2	1	1	1	1	1	1	4	1	1	1	/	1	1		
EVMS(L)45 4-2/15	1	2	1	1	1	1	1	1	2	2	1	1	/	1	3	1	1	1	1	1	1	4	1	1	1	/	1	1		
EVMS(L)45 4-0/15	1	2	1	1	1	1	1	1	4	/	1	1	/	1	3	1	1	1	1	1	1	4	1	1	1	/	1	1		
EVMS(L)45 5-2/18.5	1	3	1	1	1	1	1	1	3	2	1	1	/	1	4	1	1	1	1	1	1	4	1	1	1	/	1	1		
EVMS(L)45 5-0/18.5	1	3	1	1	1	1	1	1	5	/	1	1	/	1	4	1	1	1	1	1	1	4	1	1	1	/	1	1		
EVMS(L)45 6-2/22	1	4	1	1	1	1	1	1	4	2	1	1	/	1	5	1	1	1	1	1	1	4	1	1	1	/	1	1		
EVMS(L)45 6-0/22	1	4	1	1	1	1	1	1	6	/	1	1	/	1	5	1	1	1	1	1	1	4	1	1	1	/	1	1		
EVMS(L)45 7-2/30	1	5	1	1	1	1	1	1	5	2	1	1	/	1	6	1	1	1	1	1	1	4	1	1	1	/	1	1		
EVMS(L)45 7-0/30	1	5	1	1	1	1	1	1	7	/	1	1	/	1	6	1	1	1	1	1	1	4	1	1	1	/	1	1		
EVMS(L)45 8-2/30	1	6	1	1	1	1	1	1	6	2	1	1	/	1	7	1	1	1	1	1	1	4	1	1	1	/	1	1		
EVMS(L)45 8-0/30	1	6	1	1	1	1	1	1	8	/	1	1	/	1	7	1	1	1	1	1	1	4	1	1	1	/	1	1		
EVMS(L)45 9-2/30	1	7	1	1	1	1	1	1	7	2	1	1	/	1	8	1	1	1	1	1	1	4	1	1	1	/	1	1		
EVMS(L)45 9-0/37	1	7	1	1	1	1	1	1	9	/	1	1	/	1	8	1	1	1	1	1	1	4	1	1	1	/	1	1		
EVMS(L)45 10-2/37	1	8	1	1	1	1	1	1	8	2	1	1	/	1	9	1	1	1	1	1	1	4	1	1	1	/	1	1		
EVMS(L)45 10-0/37	1	8	1	1	1	1	1	1	10	/	1	1	/	1	9	1	1	1	1	1	1	4	1	1	1	/	1	1		
EVMS(L)45 11-2/45	1	9	1	1	1	1	1	1	9	2	1	/	1	1	10	1	1	1	1	1	1	4	1	1	1	/	1	1		
EVMS(L)45 11-0/45	1	9	1	1	1	1	1	1	11	/	1	1	/	1	1	1	1	1	1	1	1	4	1	1	1	/	1	1		
EVMS(L)45 12-2/45	1	9	2	1	1	1	1	1	10	2	1	/	1	1	10	2	2	1	1	2	1	4	1	1	1	/	1	2	1	
EVMS(L)45 12-0/45	1	9	2	1	1	1	1	1	12	/	1	1	/	1	1	10	2	2	1	1	2	1	4	1	1	1	/	1	2	1
EVMS(L)45 13-2/45	1	10	2	1	1	1	1	1	11	2	1	/	1	1	11	2	2	1	1	2	1	4	1	1	1	/	1	2	1	

□ shaft in EN 1.4462 (AISI 329A)

Pump Type	N°																											
	53	56	70-1	70-2	75	75-1	81	107	111-1	111-3	111-4	111-5	115-1	115-4	115-5	120-1	120-2	120-3	120-5	120-6	120-7	120-8	120-9	120-12	120-13	128-1	128-2	128-3
EVMS(L)45 1-1/3.0	1	/	/	1	2	4	1	1	1	1	1	1	2	1	1	4	2	4	/	4	/	/	4	1	4	4	4	/
EVMS(L)45 1-0/4.0	1	/	/	1	2	4	1	1	1	1	1	1	2	1	1	4	2	4	/	4	/	/	4	1	4	4	4	/
EVMS(L)45 2-2/5.5	2	/	/	1	2	4	2	2	1	1	1	1	2	1	1	4	2	4	/	4	/	/	4	1	4	4	4	4
EVMS(L)45 2-0/7.5	2	/	/	1	2	4	2	2	1	1	1	1	2	1	1	4	2	4	/	4	/	/	4	1	4	4	4	4
EVMS(L)45 3-2/11	2	/	/	1	2	4	2	3	1	1	1	1	2	1	1	4	2	4	/	4	/	/	4	1	4	4	4	4
EVMS(L)45 3-0/11	2	/	/	1	2	4	2	3	1	1	1	1	2	1	1	4	2	4	/	4	/	/	4	1	4	4	4	4
EVMS(L)45 4-2/15	4	/	/	1	2	4	3	4	1	1	1	1	2	1	1	4	2	4	/	4	/	/	4	1	4	4	4	4
EVMS(L)45 4-0/15	4	/	/	1	2	4	3	4	1	1	1	1	2	1	1	4	2	4	/	4	/	/	4	1	4	4	4	4
EVMS(L)45 5-2/18.5	5	/	/	1	2	4	4	5	1	1	1	1	2	1	1	4	2	4	/	4	/	/	4	1	4	4	4	4
EVMS(L)45 5-0/18.5	5	/	/	1	2	4	4	5	1	1	1	1	2	1	1	4	2	4	/	4	/	/	4	1	4	4	4	4
EVMS(L)45 6-2/22	6	/	/	1	2	4	5	6	1	1	1	1	2	1	1	4	2	4	/	4	/	/	4	1	4	4	4	4
EVMS(L)45 6-0/22	6	/	/	1	2	4	5	6	1	1	1	1	2	1	1	4	2	4	/	4	/	/	4	1	4	4	4	4
EVMS(L)45 7-2/30	7	/	/	1	2	4	6	7	1	1	1	1	2	1	1	4	2	4	/	4	/	/	4	1	4	4	4	4
EVMS(L)45 7-0/30	7	/	/	1	2	4	6	7	1	1	1	1	2	1	1	4	2	4	/	4	/	/	4	1	4	4	4	4
EVMS(L)45 8-2/30	8	/	/	1	2	4	7	8	1	1	1	1	2	1	1	4	2	4	/	4	/	/	4	1	4	4	4	4
EVMS(L)45 8-0/30	8	/	/	1	2	4	7	8	1	1	1	1	2	1	1	4	2	4	/	4	/	/	4	1	4	4	4	4
EVMS(L)45 9-2/30	9	/	/	1	2	4	8	9	1	1	1	1	2	1	1	4	2	4	/	4	/	/	4	1	4	4	4	4
EVMS(L)45 9-0/37	9	1	1	1	2	4	8	9	1	1	1	1	2	1	1	4	2	4	4	2	3	4	4	1	4	4	4	4
EVMS(L)45 10-2/37	10	1	1	1	2	4	9	10	1	1	1	1	2	1	1	4	2	4	4	2	3	4	4	1	4	4	4	4
EVMS(L)45 10-0/37	10	1	1	1	2	4	9	10	1	1	1	1	2	1	1	4	2	4	4	2	3	4	4	1	4	4	4	4
EVMS(L)45 11-2/45	11	1	1	1	2	4	10	11	1	1	1	1	2	1	1	4	2	4	4	2	3	4	4	1	8	4	4	8
EVMS(L)45 11-0/45	11	1	1	1	2	4	10	11	1	1	1	1	2	1	1	4	2	4	4	2	3	4	4	1	8	4	4	8
EVMS(L)45 12-2/45	11	1	1	1	2	4	10	12	1	1	1	1	2	1	1	4	2	4	4	2	3	4	4	1	8	4	4	8
EVMS(L)45 12-0/45	11	1	1	1	2	4	10	12	1	1	1	1	2	1	1	4	2	4	4	2	3	4	4	1	8	4	4	8
EVMS(L)45 13-2/45	12	1	1	1	2	4	11	13	1	1	1	1	2	1	1	4	2	4	4	2	3	4	4	1	8	4	4	8

QUANTITY FOR MODEL EVMS(L)45

Pump Type	N°																											
	128-6	130-1	130-2	130-4	131-1	131-2	135-1	135-2	135-3	135-4	135-5	135-6	137-1	137-2	140	140-1	140-2	150	160	162	212	212-1	212-2	212-3	245	273-1	274-2	615
EVMS(L)45 1-1/3.0	4	3	4	/	1	1	4	2	/	/	1	4	1	1	2	/	/	/	1	1	1	4	1	1	2	4	/	2
EVMS(L)45 1-0/4.0	4	3	4	/	1	1	4	2	/	/	1	4	1	1	2	/	/	/	1	1	1	4	1	1	2	4	/	2
EVMS(L)45 2-2/5.5	/	3	4	/	1	1	4	2	/	/	1	/	1	1	2	/	/	/	1	1	1	4	1	1	2	4	/	2
EVMS(L)45 2-0/7.5	/	3	4	/	1	1	4	2	/	/	1	/	1	1	2	/	/	/	1	1	1	4	1	1	2	4	/	2
EVMS(L)45 3-2/11	/	3	4	/	1	1	4	2	/	/	1	/	1	1	2	/	/	/	1	1	1	4	1	1	2	4	/	2
EVMS(L)45 3-0/11	/	3	4	/	1	1	4	2	/	/	1	/	1	1	2	/	/	/	1	1	1	4	1	1	2	4	/	2
EVMS(L)45 4-2/15	/	3	4	/	1	1	4	2	/	/	1	/	1	1	2	/	/	/	1	1	1	4	1	1	2	4	/	2
EVMS(L)45 4-0/15	/	3	4	/	1	1	4	2	/	/	1	/	1	1	2	/	/	/	1	1	1	4	1	1	2	4	/	2
EVMS(L)45 5-2/18.5	/	3	4	/	1	1	4	2	/	/	1	/	1	1	2	/	/	/	1	1	1	4	1	1	2	4	/	2
EVMS(L)45 5-0/18.5	/	3	4	/	1	1	4	2	/	/	1	/	1	1	2	/	/	/	1	1	1	4	1	1	2	4	/	2
EVMS(L)45 6-2/22	/	3	4	/	1	1	4	2	/	/	1	/	1	1	2	/	/	/	1	1	1	4	1	1	2	4	/	2
EVMS(L)45 6-0/22	/	3	4	/	1	1	4	2	/	/	1	/	1	1	2	/	/	/	1	1	1	4	1	1	2	4	/	2
EVMS(L)45 7-2/30	/	3	4	/	1	1	4	2	/	/	1	/	1	1	2	/	/	/	1	1	1	4	1	1	2	4	/	2
EVMS(L)45 7-0/30	/	3	4	/	1	1	4	2	/	/	1	/	1	1	2	/	/	/	1	1	1	4	1	1	2	4	/	2
EVMS(L)45 8-2/30	/	3	4	/	1	1	4	2	/	/	1	/	1	1	2	/	/	/	1	1	1	4	1	1	2	4	/	2
EVMS(L)45 8-0/30	/	3	4	/	1	1	4	2	/	/	1	/	1	1	2	/	/	/	1	1	1	4	1	1	2	4	/	2
EVMS(L)45 9-2/30	/	3	4	/	1	1	4	2	/	/	1	/	1	1	2	/	/	/	1	1	1	4	1	1	2	4	/	2
EVMS(L)45 9-0/37	/	3	4	1	1	1	4	2	4	3	1	/	1	1	/	1	1	1	1	1	1	4	1	1	2	4	1	2
EVMS(L)45 10-2/37	/	3	4	1	1	1	4	2	4	3	1	/	1	1	/	1	1	1	1	1	1	4	1	1	2	4	1	2
EVMS(L)45 10-0/37	/	3	4	1	1	1	4	2	4	3	1	/	1	1	/	1	1	1	1	1	1	4	1	1	2	4	1	2
EVMS(L)45 11-2/45	/	3	4	1	1	1	4	2	4	3	1	/	1	1	/	1	1	1	1	1	1	4	1	1	2	4	1	2
EVMS(L)45 11-0/45	/	3	4	1	1	1	4	2	4	3	1	/	1	1	/	1	1	1	1	1	1	4	1	1	2	4	1	2
EVMS(L)45 12-2/45	/	3	4	1	1	1	4	2	4	3	1	/	1	1	/	1	1	1	1	1	1	4	1	1	2	4	1	2
EVMS(L)45 12-0/45	/	3	4	1	1	1	4	2	4	3	1	/	1	1	/	1	1	1	1	1	1	4	1	1	2	4	1	2
EVMS(L)45 13-2/45	/	3	4	1	1	1	4	2	4	3	1	/	1	1	/	1	1	1	1	1	1	4	1	1	2	4	1	2

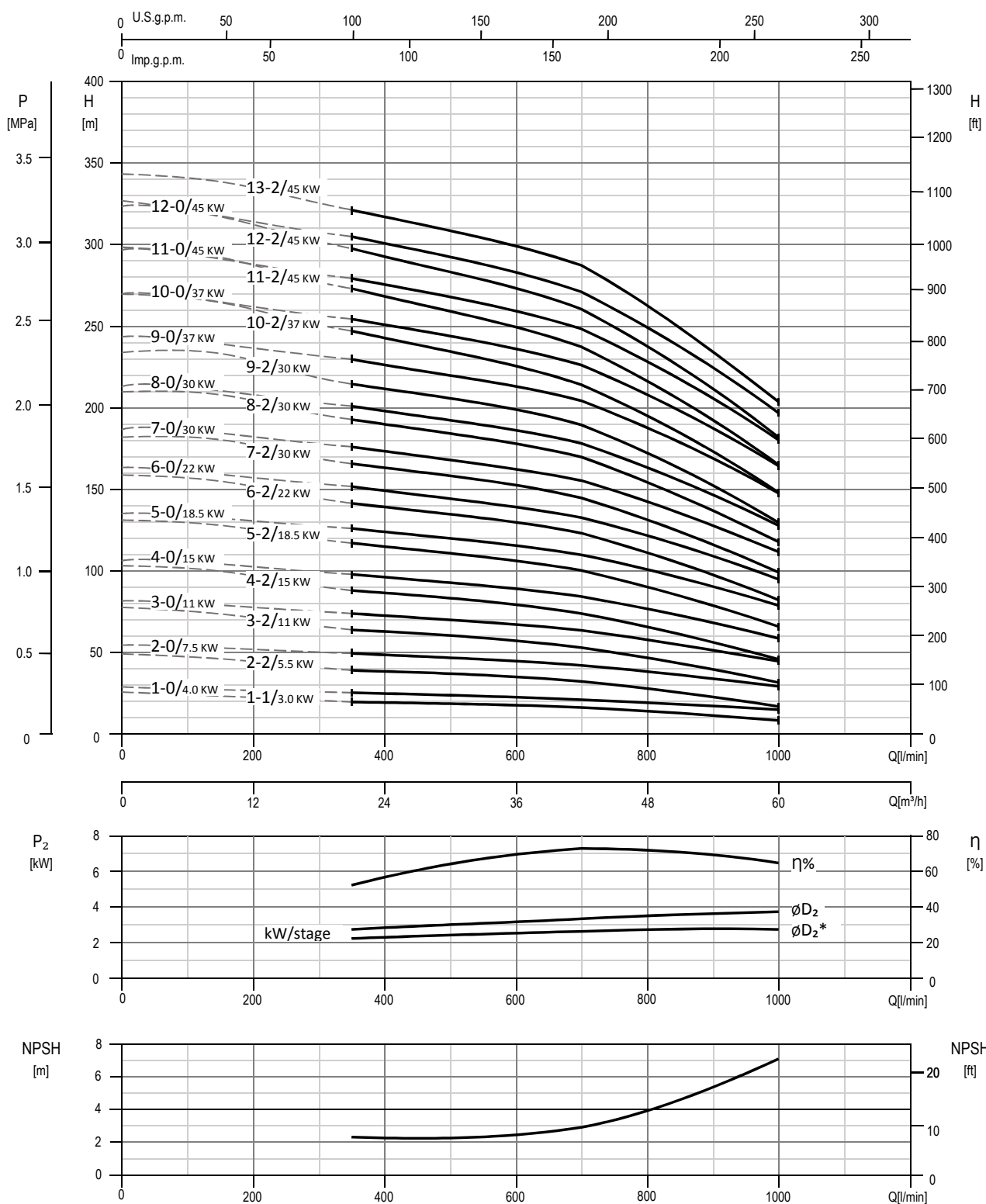
EVMS(L)45

BEARINGS EVMS(L)45

Pump Type	N° 56
EVMS(L)45 1-1/3.0	/
EVMS(L)45 1-0/4.0	/
EVMS(L)45 2-2/5.5	/
EVMS(L)45 2-0/7.5	/
EVMS(L)45 3-2/11	/
EVMS(L)45 3-0/11	/
EVMS(L)45 4-2/15	/
EVMS(L)45 4-0/15	/
EVMS(L)45 5-2/18.5	/
EVMS(L)45 5-0/18.5	/
EVMS(L)45 6-2/22	/
EVMS(L)45 6-0/22	/
EVMS(L)45 7-2/30	/
EVMS(L)45 7-0/30	/
EVMS(L)45 8-2/30	/
EVMS(L)45 8-0/30	/
EVMS(L)45 9-2/30	/
EVMS(L)45 9-0/37	6315
EVMS(L)45 10-2/37	6315
EVMS(L)45 10-0/37	6315
EVMS(L)45 11-2/45	6315
EVMS(L)45 11-0/45	6315
EVMS(L)45 12-2/45	6315
EVMS(L)45 12-0/45	6315
EVMS(L)45 13-2/45	6315

PERFORMANCE CURVE
EVMSG45

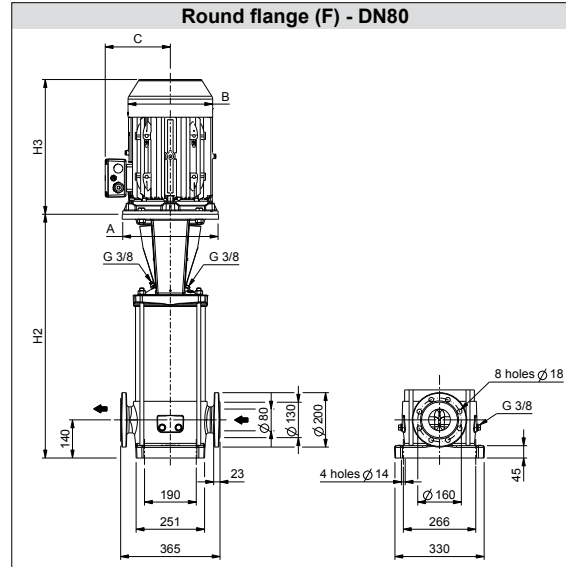
EVMSG45



Test standard: ISO 9906:2012 - Grade 3B

TECHNICAL DATA EVMSG45

Dimensional sketch



Dimensions [mm] and Weights [Kg]

Pump Type	Pmax [MPa]	Motor					Round flange (F)			
		kW	Size	A Ø	B	C	H2	H2+H3	Weight Pump	Weight Pump + Motor
EVMSG45 1-1/3.0	1.6	3.0	100	160	176	123	546	888	60.2	82.2
EVMSG45 1-0/4.0	1.6	4.0	112	160	193	138	546	910	60.2	88.7
EVMSG45 2-2/5.5	1.6	5.5	132	300	220	152	722	1121	75.6	114.6
EVMSG45 2-0/7.5	1.6	7.5	132	300	220	152	722	1141	75.6	121.6
EVMSG45 3-2/11	1.6	11	160	350	259	180	824	1263	87.7	150.2
EVMSG45 3-0/11	1.6	11	160	350	259	180	824	1263	87.7	150.2
EVMSG45 4-2/15	1.6	15	160	350	311	240	896	1391	94.3	195.3
EVMSG45 4-0/15	1.6	15	160	350	311	240	896	1391	94.3	195.3
EVMSG45 5-2/18.5	1.6	18.5	160	350	311	240	968	1463	99.5	208.5
EVMSG45 5-0/18.5	1.6	18.5	160	350	311	240	968	1463	99.6	208.6
EVMSG45 6-2/22	2.5	22	180	350	354	260	1040	1592	105.0	240.0
EVMSG45 6-0/22	2.5	22	180	350	354	260	1040	1592	105.0	240.0
EVMSG45 7-2/30	2.5	30	200	400	354	280	1112	1664	115.6	283.6
EVMSG45 7-0/30	2.5	30	200	400	354	280	1112	1664	115.6	283.6
EVMSG45 8-2/30	2.5	30	200	400	354	280	1184	1736	120.9	288.9
EVMSG45 8-0/30	2.5	30	200	400	354	280	1184	1736	120.9	288.9
EVMSG45 9-2/30	2.5	30	200	400	354	280	1256	1808	126.4	294.4
EVMSG45 9-0/37	2.5	37	200	400	382	295	1273	1950	137.8	397.8
EVMSG45 10-2/37	3.5	37	200	400	382	295	1345	2022	143.1	403.1
EVMSG45 10-0/37	3.5	37	200	400	382	295	1345	2022	143.1	403.1
EVMSG45 11-2/45	3.5	45	225	450	449	335	1417	2183	153.9	527.9
EVMSG45 11-0/45	3.5	45	225	450	449	335	1417	2183	153.9	527.9
EVMSG45 12-2/45	3.5	45	225	450	449	335	1489	2255	159.2	533.2
EVMSG45 12-0/45	3.5	45	225	450	449	335	1489	2255	159.2	533.2
EVMSG45 13-2/45	3.5	45	225	450	449	335	1561	2327	164.5	538.5

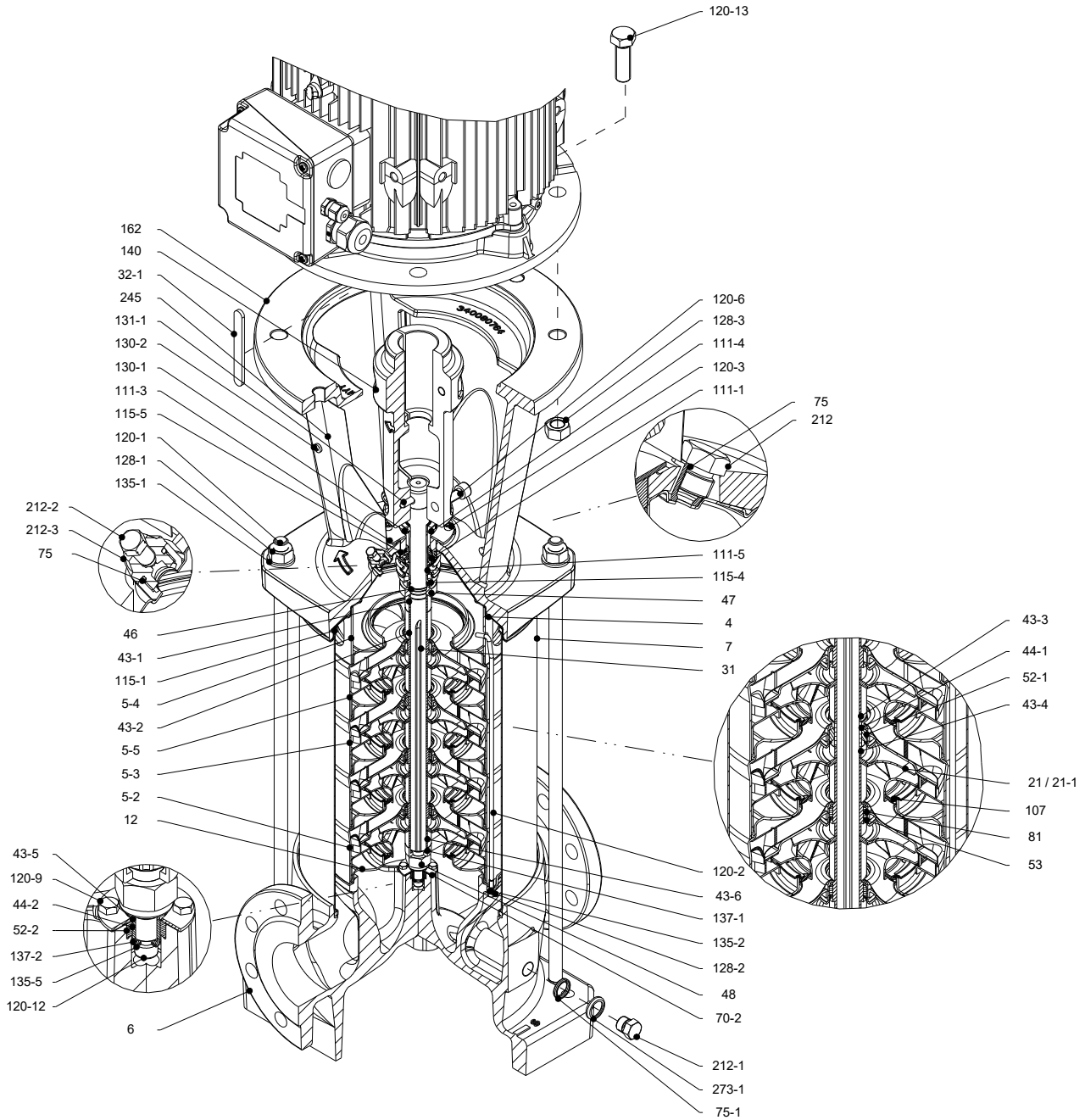
1.6 MPa=16 bar;

2.5 MPa=25 bar;

3.5 MPa=35 bar

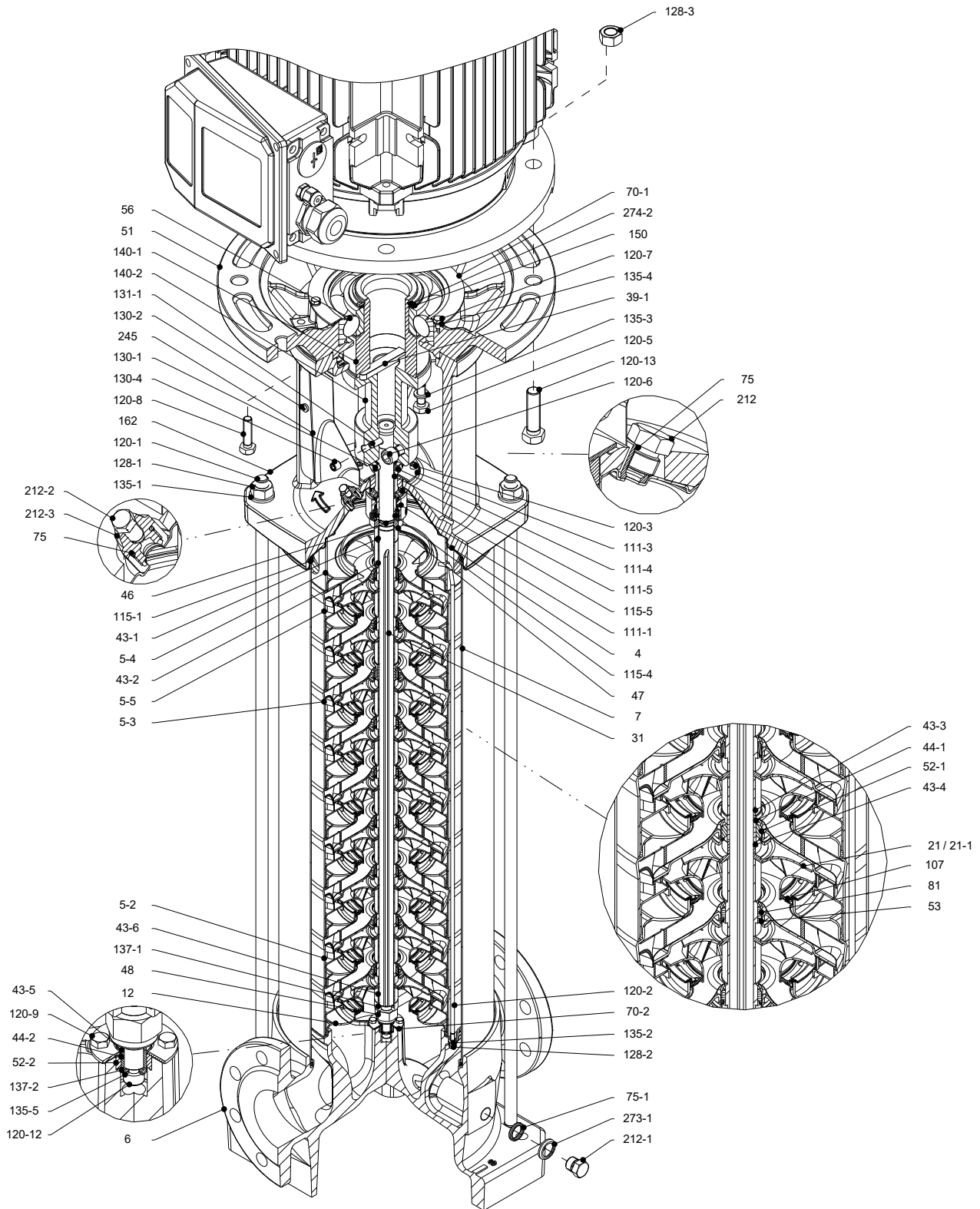
SECTIONAL VIEW
EVMSG45

EVMSG45



Pump without ball bearing
up to 30 kW

SECTIONAL VIEW EVMSG45



Pump with single ball bearing
above 37 kW

SECTIONAL TABLE
EVMSG45

N°	PART NAME	MATERIAL EVMSG	DIMENSIONS	STANDARD
4	Casing cover	EN 1.4301 (AISI 304)		
5-2	Intermediate casing	EN 1.4301 (AISI 304)		
5-3	Intermediate casing with bearing	EN 1.4301 (AISI 304)		
5-4	Discharge casing	EN 1.4301 (AISI 304)		
5-5	Top intermediate casing	EN 1.4301 (AISI 304)		
6	Bottom casing	Cast Iron EN GJL-250 EN 1561 Cast Iron EN GJS 400-15 EN 1563		
7	Outer casing	EN 1.4301 (AISI 304)		
12	Suction cover	EN 1.4301 (AISI 304)		
21	Impeller	EN 1.4301 (AISI 304)		
21-1	Reduced impeller	EN 1.4301 (AISI 304)		
31	Shaft	EN 1.4301 (AISI 304)		
32-1	Adjuster key	EN 1.4301 (AISI 304)		
39-1	Coupling key	Carbon Steel		
	above 37 kW			
43-1	Shaft sleeve (mechanical seal)	EN 1.4301 (AISI 304)		
43-2	Shaft sleeve (intermediate)	EN 1.4301 (AISI 304)		
43-3	Shaft sleeve (bearing)	EN 1.4301 (AISI 304)		
43-4	Shaft sleeve (adjustment)	EN 1.4301 (AISI 304)		
43-5	Shaft sleeve (last stage)	EN 1.4301 (AISI 304)		
43-6	Shaft sleeve (adjustment)	EN 1.4301 (AISI 304)		
44-1	Shaft sleeve bearing	Tungsten carbide		
44-2	Shaft sleeve (bearing)	Tungsten carbide		
46	Ring (mechanical seal)	EN 1.4404 (AISI 316L)		
47	Ring holder	EN 1.4301 (AISI 304)		
48	Impeller nut	EN 1.4301 (AISI 304) with inox insert		
51	Motor adapter	Cast Iron EN GJL250 EN 1561		
	above 37 kW			
52-1	Sleeve bearing	Tungsten carbide		
52-2	Bearing sleeve (bottom casing)	Tungsten carbide		
53	Bush holder	EN 1.4301 (AISI 304)		
56	Ball bearing	see table page 119		
	above 37 kW			
70-1	Ring for ball bearing	EN 1.4301 (AISI 304)		
	above 37 kW			
70-2	Ring for bearing sleeve	EN 1.4301 (AISI 304)		
75	O-Ring (priming plug)	EPDM / FPM	Ø12.37x2.62	OR 3050
75-1	O-Ring (drainage plug)	EPDM / FPM		
81	Bush	PTFE		
107	Liner ring	EN 1.4301 (AISI 304) + PPS		
111-1	Mechanical seal	see pages 6-7		
111-3	Mechanical seal flange	EN 1.4301 (AISI 304)		
111-4	Seal holder	EN 1.4404 (AISI 316L)		
111-5	Mechanical seal cartridge sleeve	EN 1.4301 (AISI 304)		
115-1	O-Ring (outer casing)	EPDM / FPM	Ø240.66x5.34	OR 6945
115-4	O-Ring (cartridge sleeve)	EPDM / FPM	Ø23.39x3.53	OR 4093
115-5	O-Ring (seal flange)	EPDM / FPM	Ø47.22x3.53	OR 4187
120-1	Tie rod	EN 1.4057 (AISI 431)		
120-2	Tie rod (stage)	EN 1.4301 (AISI 304)		
120-3	Screw (seal flange)	A2-70	M5x12	ISO 4762
120-5	Screw (extension coupling)	Galvanized steel 8.8 strength class ISO 898/1	M10x30	ISO 4017
	above 37 kW			

SECTIONAL TABLE EVMSG45

N°	PART NAME	MATERIAL EVMSG	DIMENSIONS	STANDARD	
120-6	Screw (pump coupling)	up to 4.0 kW	Galvanized steel 8.8 strength class ISO 898/1	M6x25	ISO 4762
		from 5.5 kW to 7.5 kW	Galvanized steel 8.8 strength class ISO 898/1	M8x25	ISO 4762
		from 11 kW to 30 kW	Galvanized steel 8.8 strength class ISO 898/1	M10x30	ISO 4762
		above 37 kW	Galvanized steel 8.8 strength class ISO 898/1	M12x30	ISO 4762
120-7	Screw (ball bearing)	above 37 kW	Galvanized steel 8.8 strength class ISO 898/1	M6x10	ISO 4017
120-8	Screw (motor adapter)	above 37 kW	Galvanized steel 8.8 strength class ISO 898/1	M10x40	ISO 4017
120-9	Screw (bottom casing)		A2-70	M5x8	ISO 4017
120-12	Screw (shaft)		A2-70	M6x16	ISO 4762
120-13	Screw for motor	MEC 100-112	Galvanized steel 8.8 strength class ISO 898/1	M8x20	ISO 4017
		MEC 132	Galvanized steel 8.8 strength class ISO 898/1	M12x45	ISO 4017
		MEC 160-180	Galvanized steel 8.8 strength class ISO 898/1	M16x50	ISO 4017
		MEC 200-225	Galvanized steel 8.8 strength class ISO 898/1	M16x60	ISO 4014
128-1	Nut (tie rod)		A2-70 UNI 7323 with	M16	ISO 4032
128-2	Nut (casing tie rod)		A2-70	M5	ISO 4032
128-3	Nut (motor)	MEC 132	Galvanized steel	M12	ISO 4032
		MEC 160-180-200-225	Galvanized steel	M16	ISO 4032
128-6	Nut (aluminium coupling)	MEC 100-112	Galvanized steel	M6	ISO 4032
130-1	Set screw		EN 1.4301 (AISI 304)	M6x8	ISO 4026
130-2	Screw for coupling guard		A2-70	M5x6	UNI 7687
130-4	Set screw (pump coupling)	above 37 kW	Galvanized steel	M10x10	ISO 4026
131-1	Pin for shaft	up to 4.0 kW	Carbon Steel	Ø8x42	ISO 2338
		above 5.5 kW	Carbon Steel	Ø8x50	ISO 2338
135-1	Washer (tie rod)		EN 1.4301 (AISI 304)	Ø16	ISO 7089
135-2	Washer (casing tie rod)		EN 1.4301 (AISI 304)	Ø5,1	UNI 1751
135-3	Washer (extension coupling)	above 37 kW	Galvanized steel	Ø10,2	UNI 1751
135-4	Washer (ball bearing)	above 37 kW	Plated carbon steel	Ø6,1	UNI 1751
135-5	Washer (impeller nut)		EN 1.4301 (AISI 304)		
135-6	Washer (aluminium coupling)	up to 4.0 kW	Carbon Steel		
137-1	Impeller spacer		EN 1.4301 (AISI 304)		
137-2	Shaft spacer		EN 1.4301 (AISI 304)		
140	Coupling	up to 4.0 kW	Die cast Aluminium EN AB-AISI11 Cu2 (Fe)		
		from 5.5 kW to 30 kW	Cast Iron EN GJL250 EN 1561		
140-1	Extension coupling	above 37 kW	Carbon Steel		
140-2	Coupling	above 37 kW	Carbon Steel		
150	Spacer (snap ring)	above 37 kW	Carbon Steel		
162	Motor bracket	up to 30 kW	Cast Iron EN GJS 400-15 EN 1563		
212	Priming plug		EN 1.4301 (AISI 304)		
212-1	Drainage plug		EN 1.4301 (AISI 304)		
212-2	Venting plug		EN 1.4401 (AISI 316)		
212-3	Priming plug		EN 1.4301 (AISI 304)		
245	Coupling guard		EN 1.4301 (AISI 304)		
273-1	Washer (drainage plug)		EN 1.4301 (AISI 304)		
274-2	C-type snap ring (coupling)	above 37 kW	Carbon Steel TC80	Ø75	UNI 7435

QUANTITY FOR MODEL
EVMSG45

Pump Type	N°																												
	4	5-2	5-3	5-4	5-5	6	7	12	21	21-1	31	32-1	39-1	43-1	43-2	43-3	43-4	43-5	43-6	44-1	44-2	46	47	48	51	52-1	52-2	53	
EVMSG45 1-1/3.0	1	/	/	1	1	1	1	1	/	1	1	1	/	1	1	/	1	1	/	1	1	/	1	1	/	1	1	1	1
EVMSG45 1-0/4.0	1	/	/	1	1	1	1	1	1	/	1	1	/	1	1	/	1	1	/	1	1	/	1	1	1	1	/	1	1
EVMSG45 2-2/5.5	1	1	/	1	1	1	1	1	/	2	1	1	/	1	2	/	1	1	/	1	1	/	1	1	1	1	/	1	2
EVMSG45 2-0/7.5	1	1	/	1	1	1	1	1	2	/	1	1	/	1	2	/	1	1	/	1	1	/	1	1	1	1	/	1	2
EVMSG45 3-2/11	1	1	1	1	1	1	1	1	1	2	1	1	/	1	2	1	1	1	1	1	1	1	1	1	1	1	/	1	2
EVMSG45 3-0/11	1	1	1	1	1	1	1	1	3	/	1	1	/	1	2	1	1	1	1	1	1	1	1	1	1	1	/	1	2
EVMSG45 4-2/15	1	2	1	1	1	1	1	1	2	2	1	1	/	1	3	1	1	1	1	1	1	1	1	1	1	1	/	1	4
EVMSG45 4-0/15	1	2	1	1	1	1	1	1	4	/	1	1	/	1	3	1	1	1	1	1	1	1	1	1	1	1	/	1	4
EVMSG45 5-2/18.5	1	3	1	1	1	1	1	1	3	2	1	1	/	1	4	1	1	1	1	1	1	1	1	1	1	1	/	1	5
EVMSG45 5-0/18.5	1	3	1	1	1	1	1	1	5	/	1	1	/	1	4	1	1	1	1	1	1	1	1	1	1	1	/	1	5
EVMSG45 6-2/22	1	4	1	1	1	1	1	1	4	2	1	1	/	1	5	1	1	1	1	1	1	1	1	1	1	1	/	1	6
EVMSG45 6-0/22	1	4	1	1	1	1	1	1	6	/	1	1	/	1	5	1	1	1	1	1	1	1	1	1	1	1	/	1	6
EVMSG45 7-2/30	1	5	1	1	1	1	1	1	5	2	1	1	/	1	6	1	1	1	1	1	1	1	1	1	1	1	/	1	7
EVMSG45 7-0/30	1	5	1	1	1	1	1	1	7	/	1	1	/	1	6	1	1	1	1	1	1	1	1	1	1	1	/	1	7
EVMSG45 8-2/30	1	6	1	1	1	1	1	1	6	2	1	1	/	1	7	1	1	1	1	1	1	1	1	1	1	1	/	1	8
EVMSG45 8-0/30	1	6	1	1	1	1	1	1	8	/	1	1	/	1	7	1	1	1	1	1	1	1	1	1	1	1	/	1	8
EVMSG45 9-2/30	1	7	1	1	1	1	1	1	7	2	1	1	/	1	8	1	1	1	1	1	1	1	1	1	1	1	/	1	9
EVMSG45 9-0/37	1	7	1	1	1	1	1	1	9	/	1	1	/	1	8	1	1	1	1	1	1	1	1	1	1	1	/	1	9
EVMSG45 10-2/37	1	8	1	1	1	1	1	1	8	2	1	1	/	1	9	1	1	1	1	1	1	1	1	1	1	1	/	1	10
EVMSG45 10-0/37	1	8	1	1	1	1	1	1	10	/	1	1	/	1	9	1	1	1	1	1	1	1	1	1	1	1	/	1	10
EVMSG45 11-2/45	1	9	1	1	1	1	1	1	9	2	1	1	/	1	10	1	1	1	1	1	1	1	1	1	1	1	/	1	11
EVMSG45 11-0/45	1	9	1	1	1	1	1	1	11	/	1	1	/	1	10	1	1	1	1	1	1	1	1	1	1	1	/	1	11
EVMSG45 12-2/45	1	9	2	1	1	1	1	1	10	2	1	1	/	1	10	2	2	1	1	2	1	1	1	1	1	1	2	1	11
EVMSG45 12-0/45	1	9	2	1	1	1	1	1	12	/	1	1	/	1	10	2	2	1	1	2	1	1	1	1	1	1	2	1	11
EVMSG45 13-2/45	1	10	2	1	1	1	1	1	11	2	1	1	/	1	11	2	2	1	1	2	1	1	1	1	1	1	2	1	12

shaft in EN 1.4462 (AISI 329A)

Pump Type	N°																											
	56	70-1	70-2	75	75-1	81	107	111-1	111-3	111-4	111-5	115-1	115-4	115-5	120-1	120-2	120-3	120-5	120-6	120-7	120-8	120-9	120-12	120-13	128-1	128-2	128-3	128-6
EVMSG45 1-1/3.0	/	/	1	2	4	1	1	1	1	1	1	2	1	1	4	2	4	/	4	/	/	4	1	4	4	4	/	4
EVMSG45 1-0/4.0	/	/	1	2	4	1	1	1	1	1	1	2	1	1	4	2	4	/	4	/	/	4	1	4	4	4	/	4
EVMSG45 2-2/5.5	/	/	1	2	4	2	2	1	1	1	1	2	1	1	4	2	4	/	4	/	/	4	1	4	4	4	4	/
EVMSG45 2-0/7.5	/	/	1	2	4	2	2	1	1	1	1	2	1	1	4	2	4	/	4	/	/	4	1	4	4	4	4	/
EVMSG45 3-2/11	/	/	1	2	4	2	3	1	1	1	1	2	1	1	4	2	4	/	4	/	/	4	1	4	4	4	4	/
EVMSG45 3-0/11	/	/	1	2	4	2	3	1	1	1	1	2	1	1	4	2	4	/	4	/	/	4	1	4	4	4	4	/
EVMSG45 4-2/15	/	/	1	2	4	3	4	1	1	1	1	2	1	1	4	2	4	/	4	/	/	4	1	4	4	4	4	/
EVMSG45 4-0/15	/	/	1	2	4	3	4	1	1	1	1	2	1	1	4	2	4	/	4	/	/	4	1	4	4	4	4	/
EVMSG45 5-2/18.5	/	/	1	2	4	4	5	1	1	1	1	2	1	1	4	2	4	/	4	/	/	4	1	4	4	4	4	/
EVMSG45 5-0/18.5	/	/	1	2	4	4	5	1	1	1	1	2	1	1	4	2	4	/	4	/	/	4	1	4	4	4	4	/
EVMSG45 6-2/22	/	/	1	2	4	5	6	1	1	1	1	2	1	1	4	2	4	/	4	/	/	4	1	4	4	4	4	/
EVMSG45 6-0/22	/	/	1	2	4	5	6	1	1	1	1	2	1	1	4	2	4	/	4	/	/	4	1	4	4	4	4	/
EVMSG45 7-2/30	/	/	1	2	4	6	7	1	1	1	1	2	1	1	4	2	4	/	4	/	/	4	1	4	4	4	4	/
EVMSG45 7-0/30	/	/	1	2	4	6	7	1	1	1	1	2	1	1	4	2	4	/	4	/	/	4	1	4	4	4	4	/
EVMSG45 8-2/30	/	/	1	2	4	7	8	1	1	1	1	2	1	1	4	2	4	/	4	/	/	4	1	4	4	4	4	/
EVMSG45 8-0/30	/	/	1	2	4	7	8	1	1	1	1	2	1	1	4	2	4	/	4	/	/	4	1	4	4	4	4	/
EVMSG45 9-2/30	/	/	1	2	4	8	9	1	1	1	1	2	1	1	4	2	4	/	4	/	/	4	1	4	4	4	4	/
EVMSG45 9-0/37	1	1	1	2	4	8	9	1	1	1	1	2	1	1	4	2	4	4	2	3	4	4	1	4	4	4	4	/
EVMSG45 10-2/37	1	1	1	2	4	9	10	1	1	1	1	2	1	1	4	2	4	4	2	3	4	4	1	4	4	4	4	/
EVMSG45 10-0/37	1	1	1	2	4	9	10	1	1	1	1	2	1	1	4	2	4	4	2	3	4	4	1	4	4	4	4	/
EVMSG45 11-2/45	1	1	1	2	4	10	11	1	1	1	1	2	1	1	4	2	4	4	2	3	4	4	1	8	4	4	8	/
EVMSG45 11-0/45	1	1	1	2	4	10	11	1	1	1	1	2	1	1	4	2	4	4	2	3	4	4	1	8	4	4	8	/
EVMSG45 12-2/45	1	1	1	2	4	10	12	1	1	1	1	2	1	1	4	2	4	4	2	3	4	4	1	8	4	4	8	/
EVMSG45 12-0/45	1	1	1	2	4	10	12	1	1	1	1	2	1	1	4	2	4	4	2	3	4	4	1	8	4	4	8	/
EVMSG45 13-2/45	1	1	1	2	4	11	13	1	1	1	1	2	1	1	4	2	4	4	2	3	4	4	1	8	4	4	8	/

QUANTITY FOR MODEL EVMSG45

Pump Type	N°																							
	130-1	130-2	130-4	131-1	135-1	135-2	135-3	135-4	135-5	135-6	137-1	137-2	140	140-1	140-2	150	162	212	212-1	212-2	212-3	245	273-1	274-2
EVMSG45 1-1/3.0	3	4	/	1	4	2	/	/	1	4	1	1	2	/	/	/	1	1	4	1	1	2	4	/
EVMSG45 1-0/4.0	3	4	/	1	4	2	/	/	1	4	1	1	2	/	/	/	1	1	4	1	1	2	4	/
EVMSG45 2-2/5.5	3	4	/	1	4	2	/	/	1	/	1	1	2	/	/	/	1	1	4	1	1	2	4	/
EVMSG45 2-0/7.5	3	4	/	1	4	2	/	/	1	/	1	1	2	/	/	/	1	1	4	1	1	2	4	/
EVMSG45 3-2/11	3	4	/	1	4	2	/	/	1	/	1	1	2	/	/	/	1	1	4	1	1	2	4	/
EVMSG45 3-0/11	3	4	/	1	4	2	/	/	1	/	1	1	2	/	/	/	1	1	4	1	1	2	4	/
EVMSG45 4-2/15	3	4	/	1	4	2	/	/	1	/	1	1	2	/	/	/	1	1	4	1	1	2	4	/
EVMSG45 4-0/15	3	4	/	1	4	2	/	/	1	/	1	1	2	/	/	/	1	1	4	1	1	2	4	/
EVMSG45 5-2/18.5	3	4	/	1	4	2	/	/	1	/	1	1	2	/	/	/	1	1	4	1	1	2	4	/
EVMSG45 5-0/18.5	3	4	/	1	4	2	/	/	1	/	1	1	2	/	/	/	1	1	4	1	1	2	4	/
EVMSG45 6-2/22	3	4	/	1	4	2	/	/	1	/	1	1	2	/	/	/	1	1	4	1	1	2	4	/
EVMSG45 6-0/22	3	4	/	1	4	2	/	/	1	/	1	1	2	/	/	/	1	1	4	1	1	2	4	/
EVMSG45 7-2/30	3	4	/	1	4	2	/	/	1	/	1	1	2	/	/	/	1	1	4	1	1	2	4	/
EVMSG45 7-0/30	3	4	/	1	4	2	/	/	1	/	1	1	2	/	/	/	1	1	4	1	1	2	4	/
EVMSG45 8-2/30	3	4	/	1	4	2	/	/	1	/	1	1	2	/	/	/	1	1	4	1	1	2	4	/
EVMSG45 8-0/30	3	4	/	1	4	2	/	/	1	/	1	1	2	/	/	/	1	1	4	1	1	2	4	/
EVMSG45 9-2/30	3	4	/	1	4	2	/	/	1	/	1	1	2	/	/	/	1	1	4	1	1	2	4	/
EVMSG45 9-0/37	3	4	1	1	4	2	4	3	1	/	1	1	/	1	1	1	1	1	4	1	1	2	4	1
EVMSG45 10-2/37	3	4	1	1	4	2	4	3	1	/	1	1	/	1	1	1	1	1	4	1	1	2	4	1
EVMSG45 10-0/37	3	4	1	1	4	2	4	3	1	/	1	1	/	1	1	1	1	1	4	1	1	2	4	1
EVMSG45 11-2/45	3	4	1	1	4	2	4	3	1	/	1	1	/	1	1	1	1	1	4	1	1	2	4	1
EVMSG45 11-0/45	3	4	1	1	4	2	4	3	1	/	1	1	/	1	1	1	1	1	4	1	1	2	4	1
EVMSG45 12-2/45	3	4	1	1	4	2	4	3	1	/	1	1	/	1	1	1	1	1	4	1	1	2	4	1
EVMSG45 12-0/45	3	4	1	1	4	2	4	3	1	/	1	1	/	1	1	1	1	1	4	1	1	2	4	1
EVMSG45 13-2/45	3	4	1	1	4	2	4	3	1	/	1	1	/	1	1	1	1	1	4	1	1	2	4	1

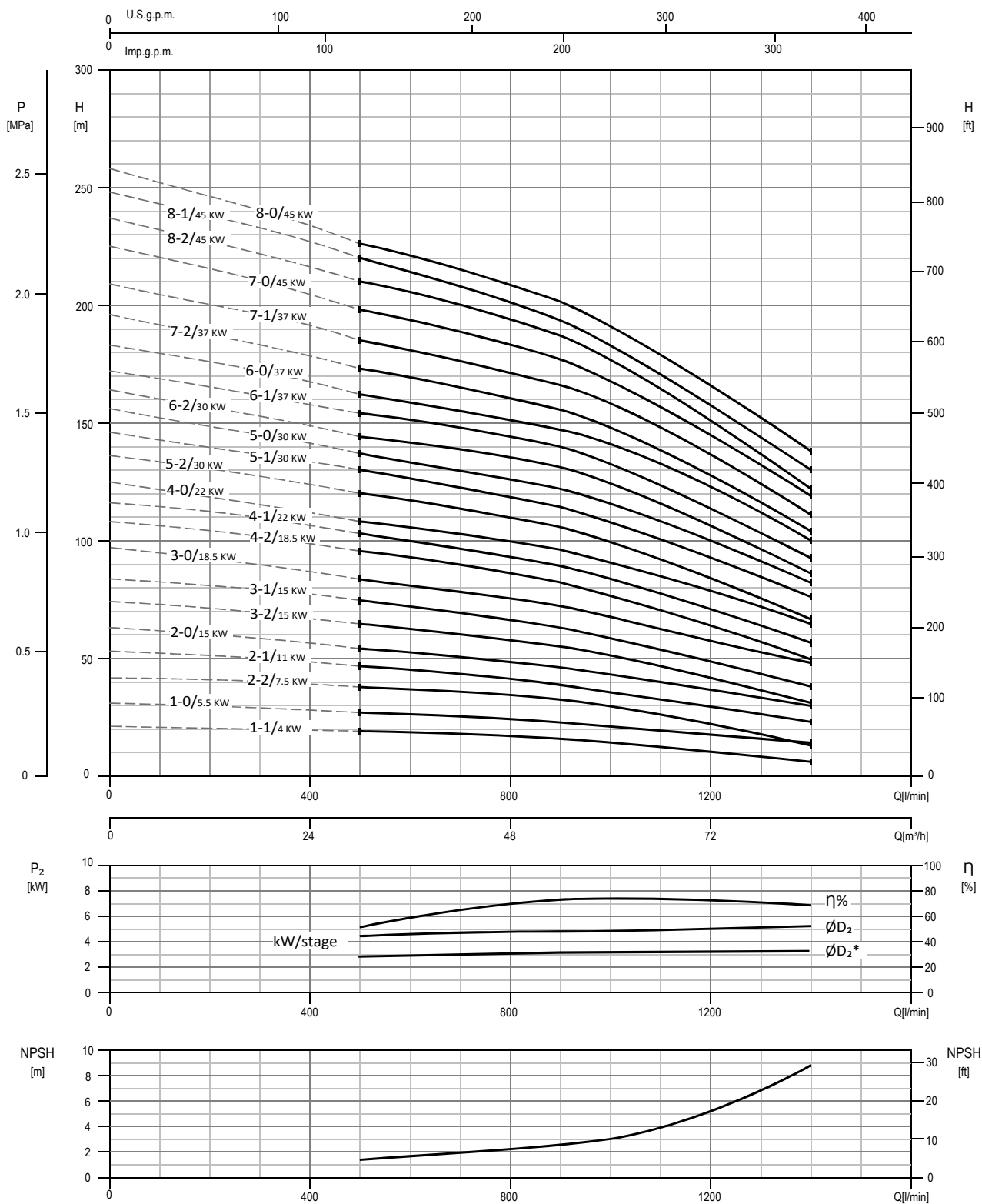
EVMSG45

BEARINGS EVMSG45

Pump Type	N° 56
EVMSG45 1-1/3.0	/
EVMSG45 1-0/4.0	/
EVMSG45 2-2/5.5	/
EVMSG45 2-0/7.5	/
EVMSG45 3-2/11	/
EVMSG45 3-0/11	/
EVMSG45 4-2/15	/
EVMSG45 4-0/15	/
EVMSG45 5-2/18.5	/
EVMSG45 5-0/18.5	/
EVMSG45 6-2/22	/
EVMSG45 6-0/22	/
EVMSG45 7-2/30	/
EVMSG45 7-0/30	/
EVMSG45 8-2/30	/
EVMSG45 8-0/30	/
EVMSG45 9-2/30	/
EVMSG45 9-0/37	6315
EVMSG45 10-2/37	6315
EVMSG45 10-0/37	6315
EVMSG45 11-2/45	6315
EVMSG45 11-0/45	6315
EVMSG45 12-2/45	6315
EVMSG45 12-0/45	6315
EVMSG45 13-2/45	6315

PERFORMANCE CURVE
EVMS(L)64

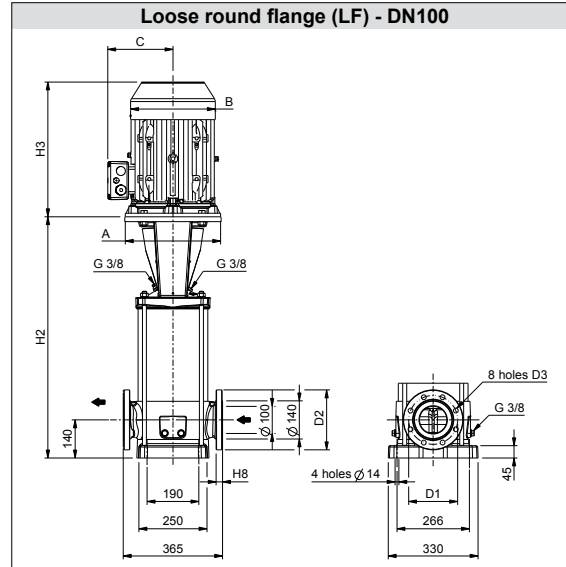
EVMS(L)64



Test standard: ISO 9906:2012 - Grade 3B

TECHNICAL DATA EVMS(L)64

Dimensional sketch



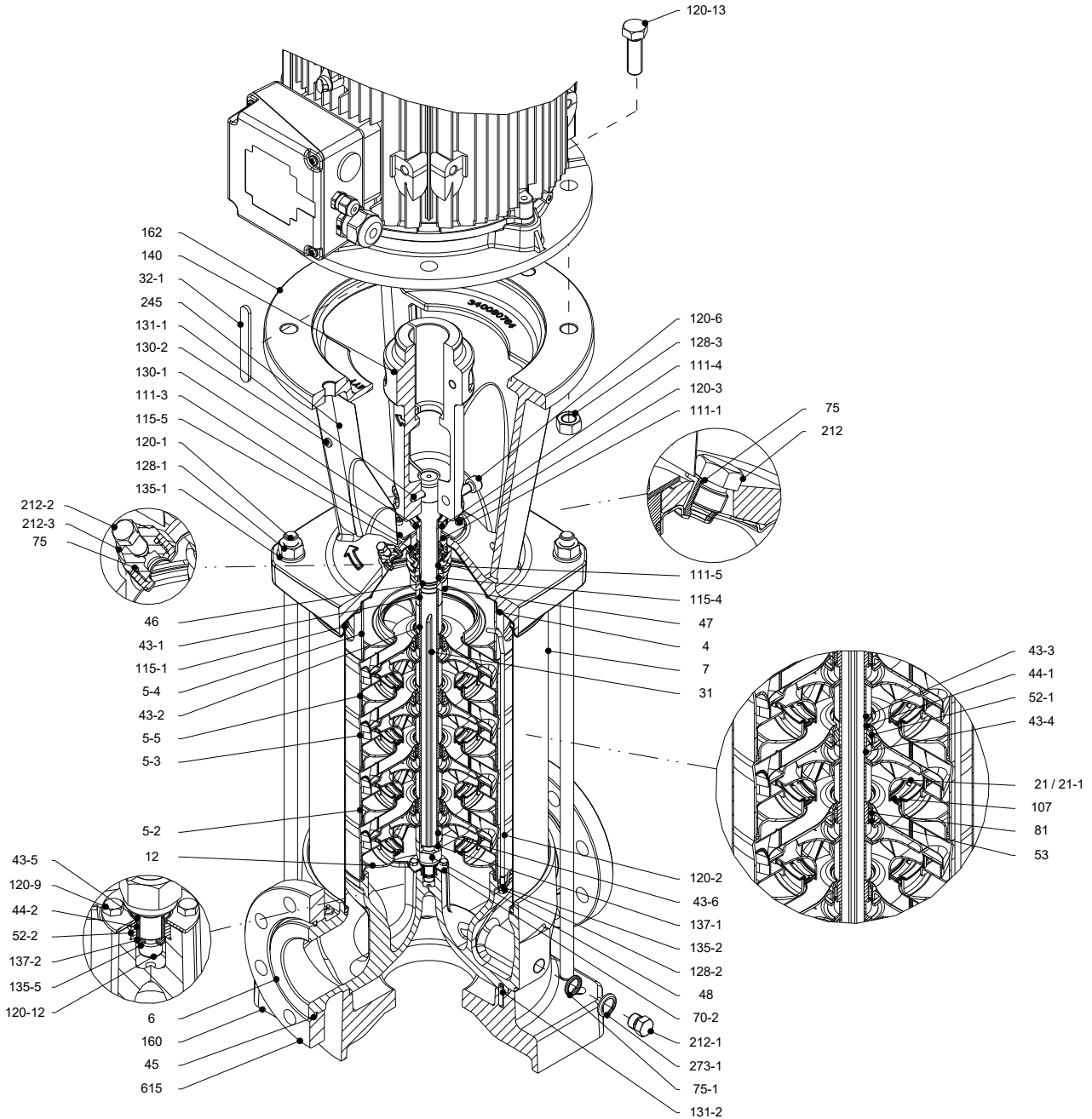
Dimensions [mm] and Weights [Kg]

Pump Type	P _{max} [MPa]	Motor					Loose round flange (LF)							Weight Pump	Weight Pump + Motor
		kW	Size	A	B	C	H2	H2+H3	D1	D2	D3	H8			
EVMS(L)64 1-1/4.0	1.6	4.0	112	160	193	138	546	910	180	220	18	24	67.8	96.3	
EVMS(L)64 1-0/5.5	1.6	5.5	132	300	220	152	650	1049	180	220	18	24	77.6	116.6	
EVMS(L)64 2-2/7.5	1.6	7.5	132	300	220	152	722	1141	180	220	18	24	82.7	128.7	
EVMS(L)64 2-1/11	1.6	11	160	350	259	180	752	1191	180	220	18	24	90.0	152.5	
EVMS(L)64 2-0/15	1.6	15	160	350	311	240	752	1247	180	220	18	24	90.0	191.0	
EVMS(L)64 3-2/15	1.6	15	160	350	311	240	824	1319	180	220	18	24	95.1	196.1	
EVMS(L)64 3-1/15	1.6	15	160	350	311	240	824	1319	180	220	18	24	95.1	196.1	
EVMS(L)64 3-0/18.5	1.6	18.5	160	350	311	240	824	1319	180	220	18	24	95.1	204.1	
EVMS(L)64 4-2/18.5	1.6	18.5	160	350	311	240	896	1391	180	220	18	24	100.2	209.2	
EVMS(L)64 4-1/22	1.6	22	180	350	354	260	896	1448	180	220	18	24	100.4	235.4	
EVMS(L)64 4-0/22	1.6	22	180	350	354	260	896	1448	180	220	18	24	100.4	235.4	
EVMS(L)64 5-2/30	1.6	30	200	400	354	280	968	1520	180	220	18	24	110.9	278.9	
EVMS(L)64 5-1/30	1.6	30	200	400	354	280	968	1520	180	220	18	24	110.9	278.9	
EVMS(L)64 5-0/30	1.6	30	200	400	354	280	968	1520	180	220	18	24	110.9	278.9	
EVMS(L)64 6-2/30	2.5	30	200	400	354	280	1040	1592	190	235	22	30	121.2	289.2	
EVMS(L)64 6-1/37	2.5	37	200	400	382	295	1057	1734	190	235	22	30	133.2	393.2	
EVMS(L)64 6-0/37	2.5	37	200	400	382	295	1057	1734	190	235	22	30	133.2	393.2	
EVMS(L)64 7-2/37	2.5	37	200	400	382	295	1129	1806	190	235	22	30	138.6	398.6	
EVMS(L)64 7-1/37	2.5	37	200	400	382	295	1129	1806	190	235	22	30	138.6	398.6	
EVMS(L)64 7-0/45	2.5	45	225	450	449	335	1129	1895	190	235	22	30	144.2	518.2	
EVMS(L)64 8-2/45	2.5	45	225	450	449	335	1201	1967	190	235	22	30	149.9	523.9	
EVMS(L)64 8-1/45	2.5	45	225	450	449	335	1201	1967	190	235	22	30	149.4	523.4	
EVMS(L)64 8-0/45	2.5	45	225	450	449	335	1201	1967	190	235	22	30	149.4	523.4	

1.6 MPa=16 bar; 2.5 MPa=25 bar

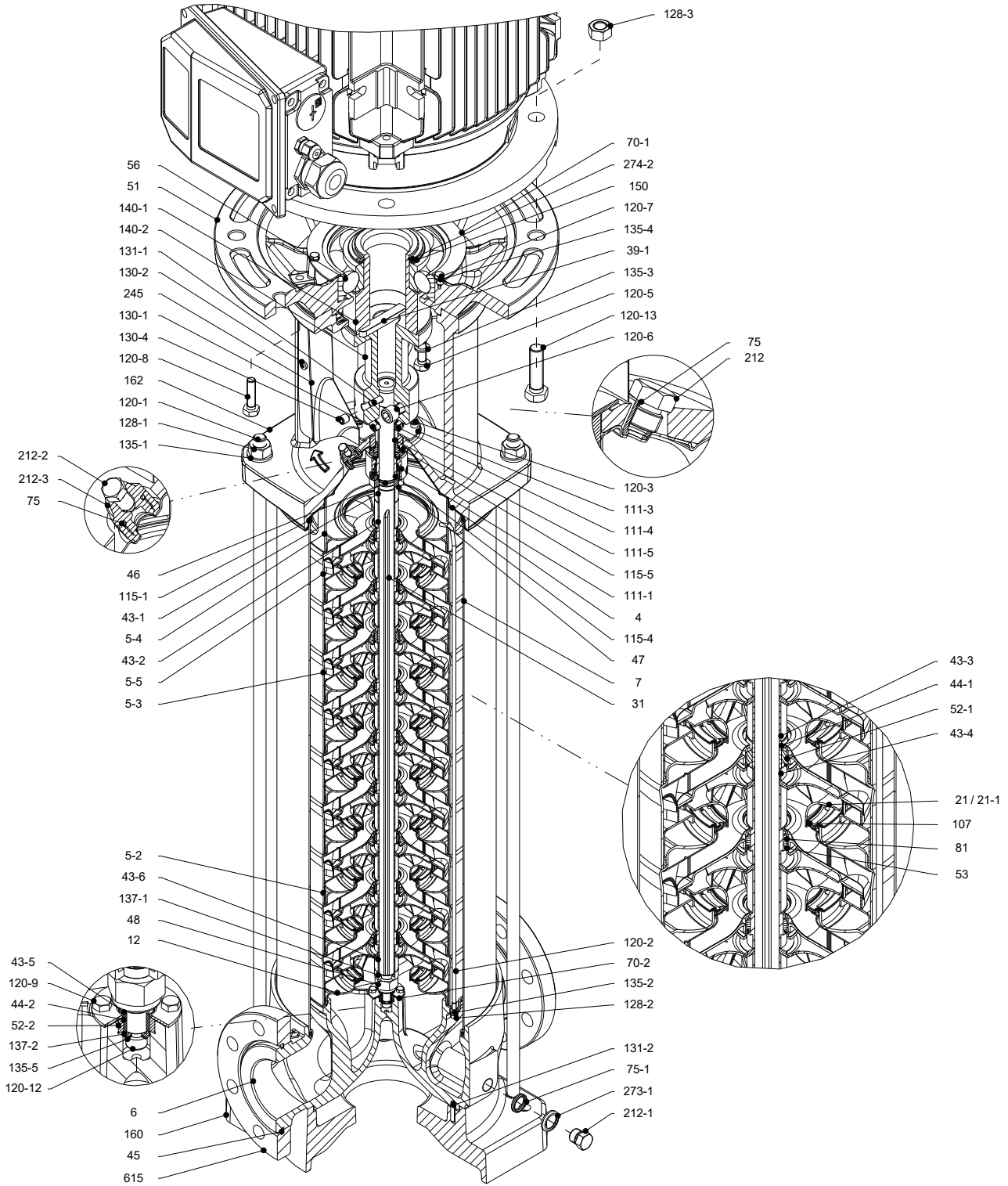
SECTIONAL VIEW
EVMS(L)64

EVMS(L)64



Pump without ball bearing
up to 30 kW

SECTIONAL VIEW EVMS(L)64



Pump with single ball bearing
above 37 kW

SECTIONAL TABLE
EVMS(L)64

N°	PART NAME	MATERIAL		DIMENSIONS	STANDARD
		EVMS	EVMSL		
4	Casing cover	EN 1.4301 (AISI 304)	EN 1.4404 (AISI 316L)		
5-2	Intermediate casing	EN 1.4301 (AISI 304)	EN 1.4404 (AISI 316L)		
5-3	Intermediate casing with bearing	EN 1.4301 (AISI 304)	EN 1.4404 (AISI 316L)		
5-4	Discharge casing	EN 1.4301 (AISI 304)	EN 1.4404 (AISI 316L)		
5-5	Top intermediate casing	EN 1.4301 (AISI 304)	EN 1.4404 (AISI 316L)		
6	Bottom casing	EN 1.4308 (ASTM CF8)	EN 1.4408 (ASTM CF8M)		
7	Outer casing	EN 1.4301 (AISI 304)	EN 1.4404 (AISI 316L)		
12	Suction cover	EN 1.4301 (AISI 304)	EN 1.4404 (AISI 316L)		
21	Impeller	EN 1.4301 (AISI 304)	EN 1.4404 (AISI 316L)		
21-1	Reduced impeller	EN 1.4301 (AISI 304)	EN 1.4404 (AISI 316L)		
31	Shaft	EN 1.4301 (AISI 304)	EN 1.4404 (AISI 316L) - EN 1.4462 (AISI 329A)		
32-1	Adjuster key	EN 1.4301 (AISI 304)			
39-1	Coupling key	Carbon Steel			
43-1	Shaft sleeve (mechanical seal)	EN 1.4301 (AISI 304)	EN 1.4404 (AISI 316L)		
43-2	Shaft sleeve (intermediate)	EN 1.4301 (AISI 304)	EN 1.4404 (AISI 316L)		
43-3	Shaft sleeve (bearing)	EN 1.4301 (AISI 304)	EN 1.4404 (AISI 316L)		
43-4	Shaft sleeve (adjustment)	EN 1.4301 (AISI 304)	EN 1.4404 (AISI 316L)		
43-5	Shaft sleeve (last stage)	EN 1.4301 (AISI 304)	EN 1.4404 (AISI 316L)		
43-6	Shaft sleeve (adjustment)	EN 1.4301 (AISI 304)	EN 1.4404 (AISI 316L)		
44-1	Shaft sleeve bearing	Tungsten carbide			
44-2	Shaft sleeve (bearing)	Tungsten carbide			
45	Flange holder	EN 1.4301 (AISI 304)			
46	Ring (mechanical seal)	EN 1.4404 (AISI 316L)			
47	Ring holder	EN 1.4404 (AISI 316L)			
48	Impeller nut	EN 1.4301 (AISI 304) with inox insert	EN 1.4401 (AISI 316) with inox insert		
51	Motor adapter	Cast Iron EN GJL250 EN 1561			
52-1	Sleeve bearing	Tungsten carbide			
52-2	Bearing sleeve (bottom casing)	Tungsten carbide			
53	Bush holder	EN 1.4301 (AISI 304)	EN 1.4404 (AISI 316L)		
56	Ball bearing	above 37 kW see table page 127			
70-1	Ring for ball bearing	above 37 kW EN 1.4301 (AISI 304)			
70-2	Ring for bearing sleeve	EN 1.4301 (AISI 304)	EN 1.4404 (AISI 316L)		
75	O-Ring (priming plug)	EPDM / FPM		Ø12.37x2.62	OR 3050
75-1	O-Ring (drainage plug)	EPDM / FPM			
81	Bush	PTFE			
107	Liner ring	EN 1.4301 (AISI 304) + PPS	EN 1.4404 (AISI 316L) + PPS		
111-1	Mechanical seal	See pages 6-7			
111-3	Mechanical seal seat	EN 1.4301 (AISI 304)	EN 1.4401 (AISI 316)		
111-4	Seal holder	EN 1.4404 (AISI 316L)			
111-5	Mechanical seal cartridge sleeve	EN 1.4301 (AISI 304)	EN 1.4404 (AISI 316L)		
115-1	O-Ring (outer casing)	EPDM / FPM		Ø240.66x5.34	OR 6945
115-4	O-Ring (cartridge sleeve)	EPDM / FPM		Ø23.39x3.53	OR 4093
115-5	O-Ring (seal flange)	EPDM / FPM		Ø47.22x3.53	OR 4187
120-1	Tie rod	EN 1.4057 (AISI 431)			
120-2	Tie rod (stage)	EN 1.4301 (AISI 304)	EN 1.4401 (AISI 316)		
120-3	Screw (seal flange)	A2-70		M5x12	ISO 4762
120-5	Screw (extension coupling)	above 37 kW Galvanized steel 8.8 strength class ISO 898/1		M10x30	ISO 4017

SECTIONAL TABLE EVMS(L)64

N°	PART NAME	MATERIAL		DIMENSIONS	STANDARD	
		EVMS	EVMSL			
120-6	Screw (pump coupling)	up to 4.0 kW	Galvanized steel 8.8 strength class ISO 898/1	M6x25	ISO 4762	
		from 5.5 kW to 7.5 kW	Galvanized steel 8.8 strength class ISO 898/1	M8x25	ISO 4762	
		from 11 kW to 30 kW	Galvanized steel 8.8 strength class ISO 898/1	M10x30	ISO 4762	
		above 37 kW	Galvanized steel 8.8 strength class ISO 898/1	M12x30	ISO 4762	
120-7	Screw (ball bearing)	above 37 kW	Galvanized steel 8.8 strength class ISO 898/1	M6x10	ISO 4017	
120-8	Screw (motor adapter)	above 37 kW	Galvanized steel 8.8 strength class ISO 898/1	M10x40	ISO 4017	
120-9	Screw (bottom casing)		A2-70	A4-70	M5x8	ISO 4017
120-12	Screw (shaft)		A2-70	A4-70	M6x16	ISO 4762
120-13	Screw for motor	MEC 112	Galvanized steel 8.8 strength class ISO 898/1	M8x20	ISO 4017	
		MEC 132	Galvanized steel 8.8 strength class ISO 898/1	M12x45	ISO 4017	
		MEC 160-180	Galvanized steel 8.8 strength class ISO 898/1	M16x50	ISO 4017	
		MEC 200-225	Galvanized steel 8.8 strength class ISO 898/1	M16x60	ISO 4014	
128-1	Nut (tie rod)		A2-70		M16	ISO 4032
128-2	Nut (casing tie rod)		A2-70	A4-70	M5	ISO 4032
128-3	Nut (motor)	MEC 132	Galvanized steel	M12	ISO 4032	
		MEC 160-180-200-225	Galvanized steel	M16	ISO 4032	
128-6	Nut (aluminium coupling)	MEC 112	Galvanized steel	M6	ISO 4032	
130-1	Set screw		EN 1.4301 (AISI 304)	M6x8	ISO 4026	
130-2	Screw for coupling guard		A2-70	M5x6	UNI 7687	
130-4	Set screw (pump coupling)	above 37 kW	Galvanized steel	M10x10	ISO 4026	
131-1	Pin for shaft	up to 4.0 kW	Carbon Steel	Ø8x42	ISO 2338	
		above 5.5 kW	Carbon Steel	Ø8x50	ISO 2338	
131-2	Elastic pin		EN 1.4301 (AISI 304)	Ø6x26	ISO 8752	
135-1	Washer (tie rod)		EN 1.4301 (AISI 304)	Ø16	ISO 7089	
135-2	Washer (casing tie rod)		EN 1.4301 (AISI 304)	EN 1.4404 (AISI 316)	Ø5,1	UNI 1751
135-3	Washer (extension coupling)	above 37 kW	Galvanized steel	Ø10,2	UNI 1751	
135-4	Washer (ball bearing)	above 37 kW	Plated carbon steel	Ø6,1	UNI 1751	
135-5	Washer (impeller nut)		EN 1.4301 (AISI 304)	EN 1.4404 (AISI 316L)		
135-6	Washer (aluminium coupling)	up to 4.0 kW	Carbon Steel			
137-1	Impeller spacer		EN 1.4301 (AISI 304)	EN 1.4404 (AISI 316L)		
137-2	Shaft spacer		EN 1.4301 (AISI 304)	EN 1.4404 (AISI 316L)		
140	Coupling	up to 4.0 kW	Die cast Aluminium EN AB-AISI11 Cu2 (Fe)			
		from 5.5 kW to 30 kW	Cast Iron EN GJL250 EN 1561			
140-1	Extension coupling	above 37 kW	Carbon Steel			
140-2	Coupling	above 37 kW	Carbon Steel			
150	Spacer (snap ring)	above 37 kW	Carbon Steel			
160	Base		Cast Iron EN GJL200 EN 1561			
162	Motor bracket	up to 30 kW	Cast Iron EN GJS 400-15 EN 1563			
212	Priming plug		EN 1.4301 (AISI 304)	EN 1.4404 (AISI 316L)		
212-1	Drainage plug		EN 1.4301 (AISI 304)	EN 1.4404 (AISI 316L)		
212-2	Venting plug		EN 1.4401 (AISI 316)			
212-3	Priming plug		EN 1.4301 (AISI 304)	EN 1.4404 (AISI 316L)		
245	Coupling guard		EN 1.4301 (AISI 304)			
273-1	Washer (drainage plug)		EN 1.4301 (AISI 304)	EN 1.4404 (AISI 316L)		
274-2	C-type snap ring (coupling)	above 37 kW	Carbon Steel TC80	Ø75	UNI 7435	
615	Loose flange		Cast Iron EN GJS 500-7 EN 1563			

QUANTITY FOR MODEL
EVMS(L)64

EVMS(L)64

Pump Type	N°																											
	4	5-2	5-3	5-4	5-5	6	7	12	21	21-1	31	32-1	39-1	43-1	43-2	43-3	43-4	43-5	43-6	44-1	44-2	45	46	47	48	51	52-1	52-2
EVMS(L)64 1-1/4.0	1	/	/	1	1	1	1	1	/	1	1	1	/	1	1	/	/	1	1	/	1	4	1	1	1	/	/	1
EVMS(L)64 1-0/5.5	1	/	/	1	1	1	1	1	1	/	1	1	/	1	1	/	/	1	1	/	1	4	1	1	1	/	/	1
EVMS(L)64 2-2/7.5	1	1	/	1	1	1	1	1	/	2	1	1	/	1	2	/	/	1	1	/	1	4	1	1	1	/	/	1
EVMS(L)64 2-1/11	1	1	/	1	1	1	1	1	1	1	1	1	/	1	2	/	/	1	1	/	1	4	1	1	1	/	/	1
EVMS(L)64 2-0/15	1	1	/	1	1	1	1	1	2	/	1	1	/	1	2	/	/	1	1	/	1	4	1	1	1	/	/	1
EVMS(L)64 3-2/15	1	1	1	1	1	1	1	1	1	2	1	1	/	1	2	1	1	1	1	1	1	4	1	1	1	/	1	1
EVMS(L)64 3-1/15	1	1	1	1	1	1	1	1	2	1	1	1	/	1	2	1	1	1	1	1	1	4	1	1	1	/	1	1
EVMS(L)64 3-0/18.5	1	1	1	1	1	1	1	1	3	/	1	1	/	1	2	1	1	1	1	1	1	4	1	1	1	/	1	1
EVMS(L)64 4-2/18.5	1	2	1	1	1	1	1	1	2	2	1	1	/	1	3	1	1	1	1	1	1	4	1	1	1	/	1	1
EVMS(L)64 4-1/22	1	2	1	1	1	1	1	1	3	1	1	1	/	1	3	1	1	1	1	1	1	4	1	1	1	/	1	1
EVMS(L)64 4-0/22	1	2	1	1	1	1	1	1	4	/	1	1	/	1	3	1	1	1	1	1	1	4	1	1	1	/	1	1
EVMS(L)64 5-2/30	1	3	1	1	1	1	1	1	3	2	1	1	/	1	4	1	1	1	1	1	1	4	1	1	1	/	1	1
EVMS(L)64 5-1/30	1	3	1	1	1	1	1	1	4	1	1	1	/	1	4	1	1	1	1	1	1	4	1	1	1	/	1	1
EVMS(L)64 5-0/30	1	3	1	1	1	1	1	1	5	/	1	1	/	1	4	1	1	1	1	1	1	4	1	1	1	/	1	1
EVMS(L)64 6-2/30	1	4	1	1	1	1	1	1	4	2	1	1	/	1	5	1	1	1	1	1	1	4	1	1	1	/	1	1
EVMS(L)64 6-1/37	1	4	1	1	1	1	1	1	5	1	1	/	1	1	5	1	1	1	1	1	1	4	1	1	1	1	1	1
EVMS(L)64 6-0/37	1	4	1	1	1	1	1	1	6	/	1	/	1	1	5	1	1	1	1	1	1	4	1	1	1	1	1	1
EVMS(L)64 7-2/37	1	5	1	1	1	1	1	1	5	2	1	/	1	1	6	1	1	1	1	1	1	4	1	1	1	1	1	1
EVMS(L)64 7-1/37	1	5	1	1	1	1	1	1	6	1	1	/	1	1	6	1	1	1	1	1	1	4	1	1	1	1	1	1
EVMS(L)64 7-0/45	1	5	1	1	1	1	1	1	7	/	1	/	1	1	6	1	1	1	1	1	1	4	1	1	1	1	1	1
EVMS(L)64 8-2/45	1	6	1	1	1	1	1	1	6	2	1	/	1	1	7	1	1	1	1	1	1	4	1	1	1	1	1	1
EVMS(L)64 8-1/45	1	6	1	1	1	1	1	1	7	1	1	/	1	1	7	1	1	1	1	1	1	4	1	1	1	1	1	1
EVMS(L)64 8-0/45	1	6	1	1	1	1	1	1	8	0	1	/	1	1	7	1	1	1	1	1	1	4	1	1	1	1	1	1

shaft in EN 1.4462 (AISI 329A)

Pump Type	N°																											
	53	56	70-1	70-2	75	75-1	81	107	111-1	111-3	111-4	111-5	115-1	115-4	115-5	120-1	120-2	120-3	120-6	120-5	120-7	120-8	120-9	120-12	120-13	128-1	128-2	128-3
EVMS(L)64 1-1/4.0	1	/	/	1	2	4	1	1	1	1	1	1	2	1	1	4	2	4	4	/	/	/	4	1	4	4	4	/
EVMS(L)64 1-0/5.5	1	/	/	1	2	4	1	1	1	1	1	1	2	1	1	4	2	4	4	/	/	/	4	1	4	4	4	4
EVMS(L)64 2-2/7.5	2	/	/	1	2	4	2	2	1	1	1	1	2	1	1	4	2	4	4	/	/	/	4	1	4	4	4	4
EVMS(L)64 2-1/11	2	/	/	1	2	4	2	2	1	1	1	1	2	1	1	4	2	4	4	/	/	/	4	1	4	4	4	4
EVMS(L)64 2-0/15	2	/	/	1	2	4	2	2	1	1	1	1	2	1	1	4	2	4	4	/	/	/	4	1	4	4	4	4
EVMS(L)64 3-2/15	2	/	/	1	2	4	2	3	1	1	1	1	2	1	1	4	2	4	4	/	/	/	4	1	4	4	4	4
EVMS(L)64 3-1/15	2	/	/	1	2	4	2	3	1	1	1	1	2	1	1	4	2	4	4	/	/	/	4	1	4	4	4	4
EVMS(L)64 3-0/18.5	2	/	/	1	2	4	2	3	1	1	1	1	2	1	1	4	2	4	4	/	/	/	4	1	4	4	4	4
EVMS(L)64 4-2/18.5	4	/	/	1	2	4	3	4	1	1	1	1	2	1	1	4	2	4	4	/	/	/	4	1	4	4	4	4
EVMS(L)64 4-1/22	4	/	/	1	2	4	3	4	1	1	1	1	2	1	1	4	2	4	4	/	/	/	4	1	4	4	4	4
EVMS(L)64 4-0/22	4	/	/	1	2	4	3	4	1	1	1	1	2	1	1	4	2	4	4	/	/	/	4	1	4	4	4	4
EVMS(L)64 5-2/30	5	/	/	1	2	4	4	5	1	1	1	1	2	1	1	4	2	4	4	/	/	/	4	1	4	4	4	4
EVMS(L)64 5-1/30	5	/	/	1	2	4	4	5	1	1	1	1	2	1	1	4	2	4	4	/	/	/	4	1	4	4	4	4
EVMS(L)64 5-0/30	5	/	/	1	2	4	4	5	1	1	1	1	2	1	1	4	2	4	4	/	/	/	4	1	4	4	4	4
EVMS(L)64 6-2/30	6	/	/	1	2	4	5	6	1	1	1	1	2	1	1	4	2	4	4	/	/	/	4	1	4	4	4	4
EVMS(L)64 6-1/37	6	1	1	1	2	4	5	6	1	1	1	1	2	1	1	4	2	4	2	4	3	4	4	1	4	4	4	4
EVMS(L)64 6-0/37	6	1	1	1	2	4	5	6	1	1	1	1	2	1	1	4	2	4	2	4	3	4	4	1	4	4	4	4
EVMS(L)64 7-2/37	7	1	1	1	2	4	6	7	1	1	1	1	2	1	1	4	2	4	2	4	3	4	4	1	4	4	4	4
EVMS(L)64 7-1/37	7	1	1	1	2	4	6	7	1	1	1	1	2	1	1	4	2	4	2	4	3	4	4	1	4	4	4	4
EVMS(L)64 7-0/45	7	1	1	1	2	4	6	7	1	1	1	1	2	1	1	4	2	4	2	4	3	4	4	1	8	4	4	8
EVMS(L)64 8-2/45	8	1	1	1	2	4	7	8	1	1	1	1	2	1	1	4	2	4	2	4	3	4	4	1	8	4	4	8
EVMS(L)64 8-1/45	8	1	1	1	2	4	7	8	1	1	1	1	2	1	1	4	2	4	2	4	3	4	4	1	8	4	4	8
EVMS(L)64 8-0/45	8	1	1	1	2	4	7	8	1	1	1	1	2	1	1	4	2	4	2	4	3	4	4	1	8	4	4	8

QUANTITY FOR MODEL EVMS(L)64

Pump Type	N°																												
	128-6	130-1	130-2	130-4	131-1	131-2	135-1	137-1	135-2	135-3	135-4	135-5	135-6	137-2	140	140-1	140-2	150	160	162	212	212-1	212-2	212-3	245	273-1	274-2	615	
EVMS(L)64 1-1/4.0	4	3	4	/	1	1	4	1	2	/	/	/	1	4	1	2	/	/	/	1	1	1	4	1	1	2	4	/	2
EVMS(L)64 1-0/5.5	/	3	4	/	1	1	4	1	2	/	/	/	1	/	1	2	/	/	/	1	1	1	4	1	1	2	4	/	2
EVMS(L)64 2-2/7.5	/	3	4	/	1	1	4	1	2	/	/	/	1	/	1	2	/	/	/	1	1	1	4	1	1	2	4	/	2
EVMS(L)64 2-1/11	/	3	4	/	1	1	4	1	2	/	/	/	1	/	1	2	/	/	/	1	1	1	4	1	1	2	4	/	2
EVMS(L)64 2-0/15	/	3	4	/	1	1	4	1	2	/	/	/	1	/	1	2	/	/	/	1	1	1	4	1	1	2	4	/	2
EVMS(L)64 3-2/15	/	3	4	/	1	1	4	1	2	/	/	/	1	/	1	2	/	/	/	1	1	1	4	1	1	2	4	/	2
EVMS(L)64 3-1/15	/	3	4	/	1	1	4	1	2	/	/	/	1	/	1	2	/	/	/	1	1	1	4	1	1	2	4	/	2
EVMS(L)64 3-0/18.5	/	3	4	/	1	1	4	1	2	/	/	/	1	/	1	2	/	/	/	1	1	1	4	1	1	2	4	/	2
EVMS(L)64 4-2/18.5	/	3	4	/	1	1	4	1	2	/	/	/	1	/	1	2	/	/	/	1	1	1	4	1	1	2	4	/	2
EVMS(L)64 4-1/22	/	3	4	/	1	1	4	1	2	/	/	/	1	/	1	2	/	/	/	1	1	1	4	1	1	2	4	/	2
EVMS(L)64 4-0/22	/	3	4	/	1	1	4	1	2	/	/	/	1	/	1	2	/	/	/	1	1	1	4	1	1	2	4	/	2
EVMS(L)64 5-2/30	/	3	4	/	1	1	4	1	2	/	/	/	1	/	1	2	/	/	/	1	1	1	4	1	1	2	4	/	2
EVMS(L)64 5-1/30	/	3	4	/	1	1	4	1	2	/	/	/	1	/	1	2	/	/	/	1	1	1	4	1	1	2	4	/	2
EVMS(L)64 5-0/30	/	3	4	/	1	1	4	1	2	/	/	/	1	/	1	2	/	/	/	1	1	1	4	1	1	2	4	/	2
EVMS(L)64 6-2/30	/	3	4	/	1	1	4	1	2	/	/	/	1	/	1	2	/	/	/	1	1	1	4	1	1	2	4	/	2
EVMS(L)64 6-1/37	/	3	4	1	1	1	4	1	2	4	3	1	/	1	/	1	1	1	1	1	1	4	1	1	2	4	1	2	
EVMS(L)64 6-0/37	/	3	4	1	1	1	4	1	2	4	3	1	/	1	/	1	1	1	1	1	1	4	1	1	2	4	1	2	
EVMS(L)64 7-2/37	/	3	4	1	1	1	4	1	2	4	3	1	/	1	/	1	1	1	1	1	1	4	1	1	2	4	1	2	
EVMS(L)64 7-1/37	/	3	4	1	1	1	4	1	2	4	3	1	/	1	/	1	1	1	1	1	1	4	1	1	2	4	1	2	
EVMS(L)64 7-0/45	/	3	4	1	1	1	4	1	2	4	3	1	/	1	/	1	1	1	1	1	1	4	1	1	2	4	1	2	
EVMS(L)64 8-2/45	/	3	4	1	1	1	4	1	2	4	3	1	/	1	/	1	1	1	1	1	1	4	1	1	2	4	1	2	
EVMS(L)64 8-1/45	/	3	4	1	1	1	4	1	2	4	3	1	/	1	/	1	1	1	1	1	1	4	1	1	2	4	1	2	
EVMS(L)64 8-0/45	/	3	4	1	1	1	4	1	2	4	3	1	/	1	/	1	1	1	1	1	1	4	1	1	2	4	1	2	

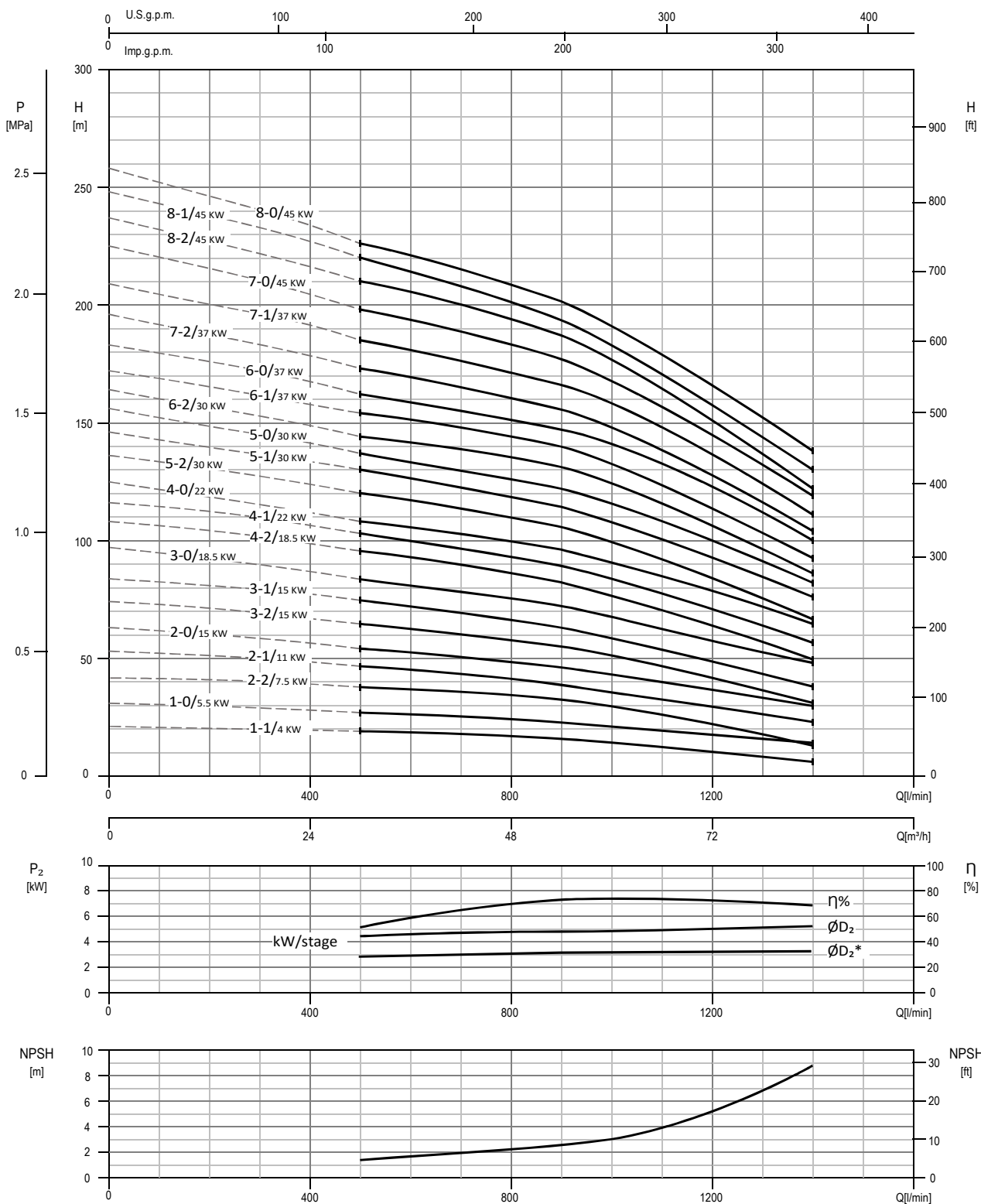
EVMS(L)64

BEARINGS EVMS(L)64

Pump Type	N° 56
EVMS(L)64 1-1/4.0	/
EVMS(L)64 1-0/5.5	/
EVMS(L)64 2-2/7.5	/
EVMS(L)64 2-1/11	/
EVMS(L)64 2-0/15	/
EVMS(L)64 3-2/15	/
EVMS(L)64 3-1/15	/
EVMS(L)64 3-0/18.5	/
EVMS(L)64 4-2/18.5	/
EVMS(L)64 4-1/22	/
EVMS(L)64 4-0/22	/
EVMS(L)64 5-2/30	/
EVMS(L)64 5-1/30	/
EVMS(L)64 5-0/30	/
EVMS(L)64 6-2/30	/
EVMS(L)64 6-1/37	6315
EVMS(L)64 6-0/37	6315
EVMS(L)64 7-2/37	6315
EVMS(L)64 7-1/37	6315
EVMS(L)64 7-0/45	6315
EVMS(L)64 8-2/45	6315
EVMS(L)64 8-1/45	6315
EVMS(L)64 8-0/45	6315

PERFORMANCE CURVE
EVMSG64

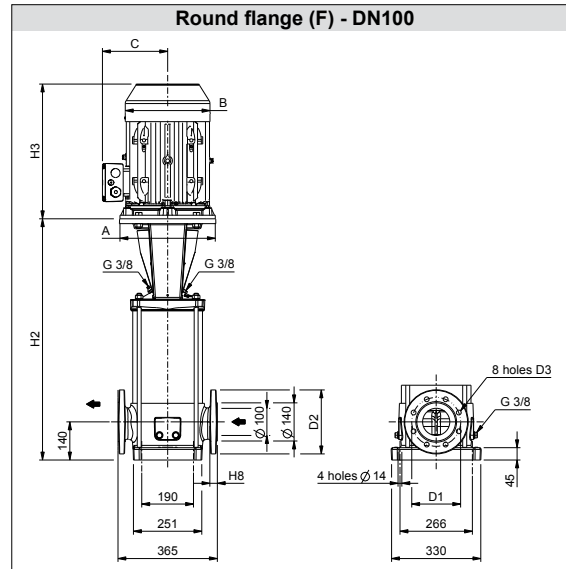
EVMSG64



Test standard: ISO 9906:2012 - Grade 3B

TECHNICAL DATA EVMSG64

Dimensional sketch



Dimensions [mm] and Weights [Kg]

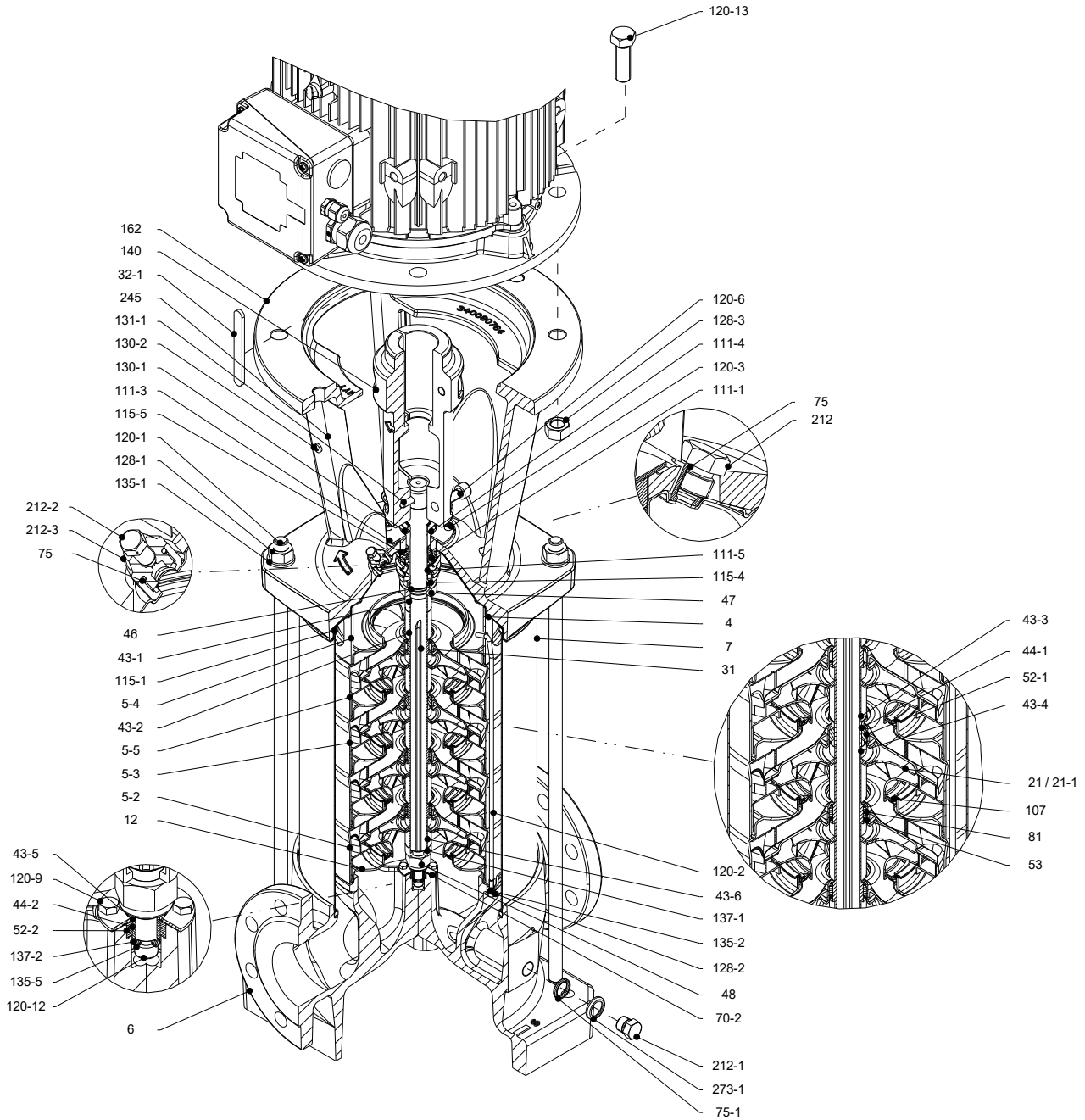
Pump Type	P _{max} [MPa]	Motor					Round flange (F)						Weight Pump	Weight Pump + Motor
		kW	Size	A	B	C	H2	H2+H3	D1	D2	D3	H8		
EVMSG64 1-1/4.0	1.6	4.0	112	160	193	138	546	910	180	235	18	24	64.8	93.3
EVMSG64 1-0/5.5	1.6	5.5	132	300	220	152	650	1049	180	235	18	24	74.6	113.6
EVMSG64 2-2/7.5	1.6	7.5	132	300	220	152	722	1141	180	235	18	24	79.7	125.7
EVMSG64 2-1/11	1.6	11	160	350	259	180	752	1191	180	235	18	24	87.0	149.5
EVMSG64 2-0/15	1.6	15	160	350	311	240	752	1247	180	235	18	24	87.0	188.0
EVMSG64 3-2/15	1.6	15	160	350	311	240	824	1319	180	235	18	24	92.1	193.1
EVMSG64 3-1/15	1.6	15	160	350	311	240	824	1319	180	235	18	24	92.1	193.1
EVMSG64 3-0/18.5	1.6	18.5	160	350	311	240	824	1319	180	235	18	24	92.1	201.1
EVMSG64 4-2/18.5	1.6	18.5	160	350	311	240	896	1391	180	235	18	24	97.2	206.2
EVMSG64 4-1/22	1.6	22	180	350	354	260	896	1448	180	235	18	24	97.4	232.4
EVMSG64 4-0/22	1.6	22	180	350	354	260	896	1448	180	235	18	24	97.4	232.4
EVMSG64 5-2/30	1.6	30	200	400	354	280	968	1520	180	235	18	24	107.9	275.9
EVMSG64 5-1/30	1.6	30	200	400	354	280	968	1520	180	235	18	24	107.9	275.9
EVMSG64 5-0/30	1.6	30	200	400	354	280	968	1520	180	235	18	24	107.9	275.9
EVMSG64 6-2/30	2.5	30	200	400	354	280	1040	1592	190	254	22	31	119.5	287.5
EVMSG64 6-1/37	2.5	37	200	400	382	295	1057	1734	190	254	22	31	131.6	391.6
EVMSG64 6-0/37	2.5	37	200	400	382	295	1057	1734	190	254	22	31	131.6	391.6
EVMSG64 7-2/37	2.5	37	200	400	382	295	1129	1806	190	254	22	31	136.9	396.9
EVMSG64 7-1/37	2.5	37	200	400	382	295	1129	1806	190	254	22	31	136.9	396.9
EVMSG64 7-0/45	2.5	45	225	450	449	335	1129	1895	190	254	22	31	142.5	516.5
EVMSG64 8-2/45	2.5	45	225	450	449	335	1201	1967	190	254	22	31	148.3	522.3
EVMSG64 8-1/45	2.5	45	225	450	449	335	1201	1967	190	254	22	31	147.8	521.8
EVMSG64 8-0/45	2.5	45	225	450	449	335	1201	1967	190	254	22	31	147.8	521.8

1.6 MPa=16 bar;

2.5 MPa=25 bar

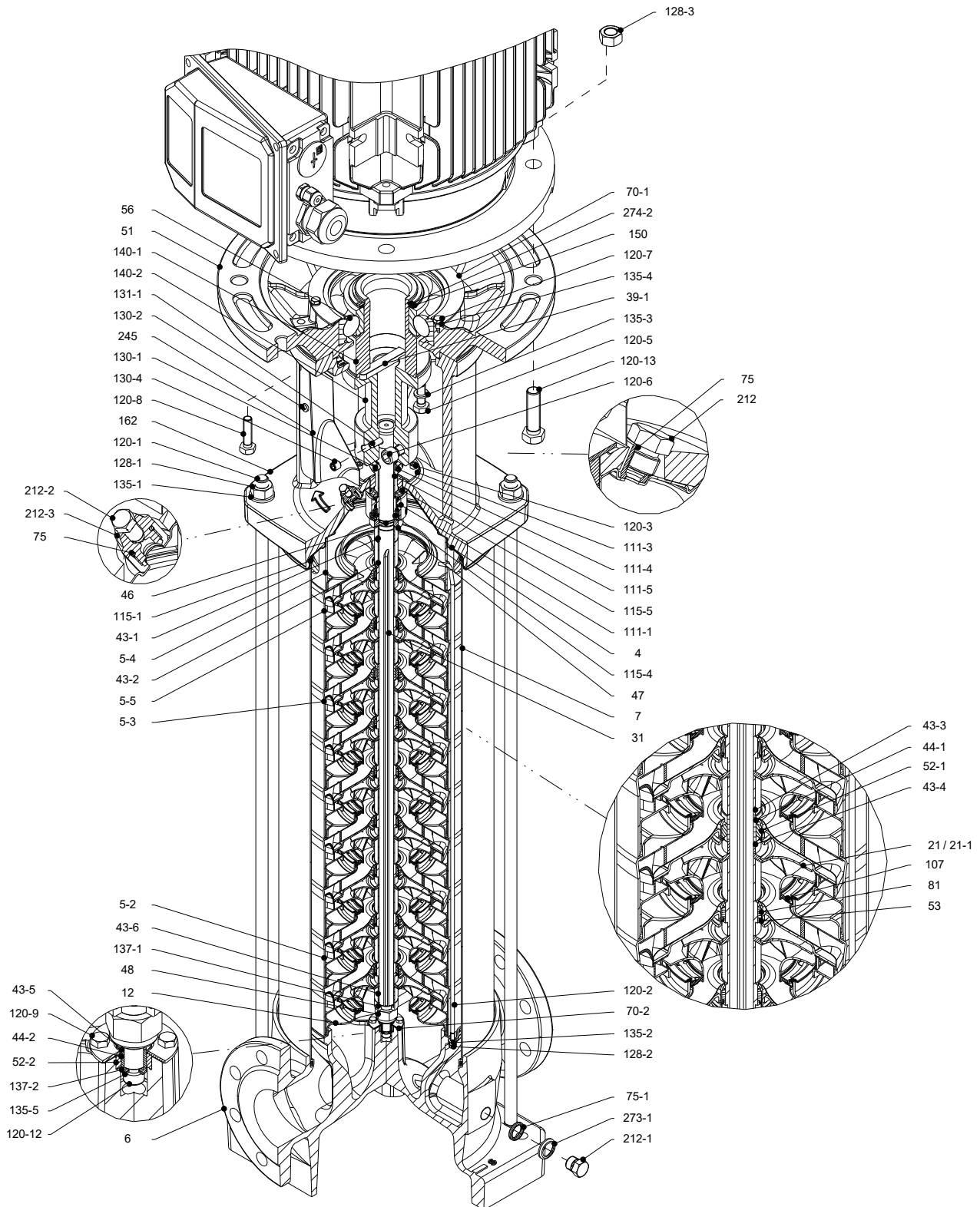
SECTIONAL VIEW
EVMSG64

EVMSG64



Pump without ball bearing
up to 30 kW

SECTIONAL VIEW EVMSG64



Pump with single ball bearing
above 37 kW

SECTIONAL TABLE
EVMSG64

N°	PART NAME	MATERIAL EVMSG	DIMENSIONS	STANDARD
4	Casing cover	EN 1.4301 (AISI 304)		
5-2	Intermediate casing	EN 1.4301 (AISI 304)		
5-3	Intermediate casing with bearing	EN 1.4301 (AISI 304)		
5-4	Discharge casing	EN 1.4301 (AISI 304)		
5-5	Top intermediate casing	EN 1.4301 (AISI 304)		
6	Bottom casing	Cast Iron EN GJL-250 EN 1561 Cast Iron EN GJS 400-15 EN 1563		
7	Outer casing	EN 1.4301 (AISI 304)		
12	Suction cover	EN 1.4301 (AISI 304)		
21	Impeller	EN 1.4301 (AISI 304)		
21-1	Reduced impeller	EN 1.4301 (AISI 304)		
31	Shaft	EN 1.4301 (AISI 304)		
32-1	Adjuster key	EN 1.4301 (AISI 304)		
39-1	Coupling key	Carbon Steel		
	above 37 kW			
43-1	Shaft sleeve (mechanical seal)	EN 1.4301 (AISI 304)		
43-2	Shaft sleeve (intermediate)	EN 1.4301 (AISI 304)		
43-3	Shaft sleeve (bearing)	EN 1.4301 (AISI 304)		
43-4	Shaft sleeve (adjustment)	EN 1.4301 (AISI 304)		
43-5	Shaft sleeve (last stage)	EN 1.4301 (AISI 304)		
43-6	Shaft sleeve (adjustment)	EN 1.4301 (AISI 304)		
44-1	Shaft sleeve bearing	Tungsten carbide		
44-2	Shaft sleeve (bearing)	Tungsten carbide		
46	Ring (mechanical seal)	EN 1.4404 (AISI 316L)		
47	Ring holder	EN 1.4301 (AISI 304)		
48	Impeller nut	EN 1.4301 (AISI 304) with inox insert		
51	Motor adapter	Cast Iron EN GJL250 EN 1561		
	above 37 kW			
52-1	Sleeve bearing	Tungsten carbide		
52-2	Bearing sleeve (bottom casing)	Tungsten carbide		
53	Bush holder	EN 1.4301 (AISI 304)		
56	Ball bearing	see table page 135		
	above 37 kW			
70-1	Ring for ball bearing	EN 1.4301 (AISI 304)		
	above 37 kW			
70-2	Ring for bearing sleeve	EN 1.4301 (AISI 304)		
75	O-Ring (priming plug)	EPDM / FPM	Ø12.37x2.62	OR 3050
75-1	O-Ring (drainage plug)	EPDM / FPM		
81	Bush	PTFE		
107	Liner ring	EN 1.4301 (AISI 304) + PPS		
111-1	Mechanical seal	see pages 6-7		
111-3	Mechanical seal seat	EN 1.4301 (AISI 304)		
111-4	Seal holder	EN 1.4404 (AISI 316L)		
111-5	Mechanical seal cartridge sleeve	EN 1.4301 (AISI 304)		
115-1	O-Ring (outer casing)	EPDM / FPM	Ø240.66x5.34	OR 6945
115-4	O-Ring (cartridge sleeve)	EPDM / FPM	Ø23.39x3.53	OR 4093
115-5	O-Ring (seal flange)	EPDM / FPM	Ø47.22x3.53	OR 4187
120-1	Tie rod	EN 1.4057 (AISI 431)		
120-2	Tie rod (stage)	EN 1.4301 (AISI 304)		
120-3	Screw (seal flange)	A2-70	M5x12	ISO 4762
120-5	Screw (extension coupling)	Galvanized steel 8.8 strength class ISO 898/1	M10x30	ISO 4017
	above 37 kW			

SECTIONAL TABLE EVMSG64

N°	PART NAME	MATERIAL EVMSG	DIMENSIONS	STANDARD	
120-6	Screw (pump coupling)	up to 4.0 kW	Galvanized steel 8.8 strength class ISO 898/1	M6x25	ISO 4762
		from 5.5 kW to 7.5 kW	Galvanized steel 8.8 strength class ISO 898/1	M8x25	ISO 4762
		from 11 kW to 30 kW	Galvanized steel 8.8 strength class ISO 898/1	M10x30	ISO 4762
		above 37 kW	Galvanized steel 8.8 strength class ISO 898/1	M12x30	ISO 4762
120-7	Screw (ball bearing)	above 37 kW	Galvanized steel 8.8 strength class ISO 898/1	M6x10	ISO 4017
120-8	Screw (motor adapter)	above 37 kW	Galvanized steel 8.8 strength class ISO 898/1	M10x40	ISO 4017
120-9	Screw (bottom casing)	A2-70	M5x8	ISO 4017	
120-12	Screw (shaft)	A2-70	M6x16	ISO 4762	
120-13	Screw for motor	MEC 112	Galvanized steel 8.8 strength class ISO 898/1	M8x20	ISO 4017
		MEC 132	Galvanized steel 8.8 strength class ISO 898/1	M12x45	ISO 4017
		MEC 160-180	Galvanized steel 8.8 strength class ISO 898/1	M16x50	ISO 4017
		MEC 200-225	Galvanized steel 8.8 strength class ISO 898/1	M16x60	ISO 4014
128-1	Nut (tie rod)	A2-70	M16	ISO 4032	
128-2	Nut (casing tie rod)	A2-70	M5	ISO 4032	
128-3	Nut (motor)	MEC 132	Galvanized steel	M12	ISO 4032
		MEC 160-180-200-225	Galvanized steel	M16	ISO 4032
128-6	Nut (aluminium coupling)	MEC 112	Galvanized steel	M6	ISO 4032
130-1	Set screw	EN 1.4301 (AISI 304)	M6x8	ISO 4026	
130-2	Screw for coupling guard	A2-70	M5x6	UNI 7687	
130-4	Set screw (pump coupling)	above 37 kW	Galvanized steel	M10x10	ISO 4026
131-1	Pin for shaft	up to 4.0 kW	Carbon Steel	Ø8x42	ISO 2338
		above 5.5 kW	Carbon Steel	Ø8x50	ISO 2338
135-1	Washer (tie rod)	EN 1.4301 (AISI 304)	Ø16	ISO 7089	
135-2	Washer (casing tie rod)	EN 1.4301 (AISI 304)	Ø5,1	UNI 1751	
135-3	Washer (extension coupling)	above 37 kW	Galvanized steel	Ø10,2	UNI 1751
135-4	Washer (ball bearing)	above 37 kW	Plated carbon steel	Ø6,1	UNI 1751
135-5	Washer (impeller nut)	EN 1.4301 (AISI 304)			
135-6	Washer (aluminium coupling)	up to 4.0 kW	Carbon Steel		
137-1	Impeller spacer	EN 1.4301 (AISI 304)			
137-2	Shaft spacer	EN 1.4301 (AISI 304)			
140	Coupling	up to 4.0 kW	Die cast Aluminium EN AB-AISI11 Cu2 (Fe)		
		from 5.5 kW to 30 kW	Cast Iron EN GJL250 EN 1561		
140-1	Extension coupling	above 37 kW	Carbon Steel		
140-2	Coupling	above 37 kW	Carbon Steel		
150	Spacer (snap ring)	above 37 kW	Carbon Steel		
162	Motor bracket	up to 30 kW	Cast Iron EN GJS 400-15 EN 1563		
212	Priming plug	EN 1.4301 (AISI 304)			
212-1	Drainage plug	EN 1.4301 (AISI 304)			
212-2	Venting plug	EN 1.4401 (AISI 316)			
212-3	Priming plug	EN 1.4301 (AISI 304)			
245	Coupling guard	EN 1.4301 (AISI 304)			
273-1	Washer (drainage plug)	EN 1.4301 (AISI 304)			
274-2	C-type snap ring (coupling)	above 37 kW	Carbon Steel TC80	Ø75	UNI 7435

QUANTITY FOR MODEL
EVMSG64

Pump Type	N°																												
	4	5-2	5-3	5-4	5-5	6	7	12	21	21-1	31	32-1	39-1	43-1	43-2	43-3	43-4	43-5	43-6	44-1	44-2	46	47	48	51	52-1	52-2	53	
EVMSG64 1-1/4,0	1	/	/	1	1	1	1	1	/	1	1	/	1	1	/	/	1	1	/	1	1	1	1	/	/	1	1		
EVMSG64 1-0/5,5	1	/	/	1	1	1	1	1	1	/	1	1	/	1	1	/	/	1	1	/	1	1	1	1	1	/	/	1	1
EVMSG64 2-2/7,5	1	1	/	1	1	1	1	1	/	2	1	1	/	1	2	/	/	1	1	/	1	1	1	1	1	/	/	1	2
EVMSG64 2-1/11	1	1	/	1	1	1	1	1	1	1	1	/	1	2	/	/	1	1	/	1	1	1	1	1	/	/	1	2	
EVMSG64 2-0/15	1	1	/	1	1	1	1	1	2	/	1	1	/	1	2	/	/	1	1	/	1	1	1	1	1	/	/	1	2
EVMSG64 3-2/15	1	1	1	1	1	1	1	1	1	2	1	1	/	1	2	1	1	1	1	1	1	1	1	1	1	1	1	1	2
EVMSG64 3-1/15	1	1	1	1	1	1	1	1	2	1	1	1	/	1	2	1	1	1	1	1	1	1	1	1	1	1	1	1	2
EVMSG64 3-0/18,5	1	1	1	1	1	1	1	1	3	/	1	1	/	1	2	1	1	1	1	1	1	1	1	1	1	1	1	1	2
EVMSG64 4-2/18,5	1	2	1	1	1	1	1	1	2	2	1	1	/	1	3	1	1	1	1	1	1	1	1	1	1	1	1	1	4
EVMSG64 4-1/22	1	2	1	1	1	1	1	1	3	1	1	/	1	3	1	1	1	1	1	1	1	1	1	1	1	1	1	1	4
EVMSG64 4-0/22	1	2	1	1	1	1	1	1	4	/	1	1	/	1	3	1	1	1	1	1	1	1	1	1	1	1	1	1	4
EVMSG64 5-2/30	1	3	1	1	1	1	1	1	3	2	1	1	/	1	4	1	1	1	1	1	1	1	1	1	1	1	1	1	5
EVMSG64 5-1/30	1	3	1	1	1	1	1	1	4	1	1	/	1	4	1	1	1	1	1	1	1	1	1	1	1	1	1	1	5
EVMSG64 5-0/30	1	3	1	1	1	1	1	1	5	/	1	1	/	1	4	1	1	1	1	1	1	1	1	1	1	1	1	1	5
EVMSG64 6-2/30	1	4	1	1	1	1	1	1	4	2	1	1	/	1	5	1	1	1	1	1	1	1	1	1	1	1	1	1	6
EVMSG64 6-1/37	1	4	1	1	1	1	1	1	5	1	1	/	1	5	1	1	1	1	1	1	1	1	1	1	1	1	1	1	6
EVMSG64 6-0/37	1	4	1	1	1	1	1	1	6	/	1	1	/	1	5	1	1	1	1	1	1	1	1	1	1	1	1	1	6
EVMSG64 7-2/37	1	5	1	1	1	1	1	1	5	2	1	/	1	6	1	1	1	1	1	1	1	1	1	1	1	1	1	1	7
EVMSG64 7-1/37	1	5	1	1	1	1	1	1	6	1	1	/	1	6	1	1	1	1	1	1	1	1	1	1	1	1	1	1	7
EVMSG64 7-0/45	1	5	1	1	1	1	1	1	7	/	1	/	1	6	1	1	1	1	1	1	1	1	1	1	1	1	1	1	7
EVMSG64 8-2/45	1	6	1	1	1	1	1	1	6	2	1	/	1	7	1	1	1	1	1	1	1	1	1	1	1	1	1	1	8
EVMSG64 8-1/45	1	6	1	1	1	1	1	1	7	1	1	/	1	7	1	1	1	1	1	1	1	1	1	1	1	1	1	1	8
EVMSG64 8-0/45	1	6	1	1	1	1	1	1	8	0	1	/	1	7	1	1	1	1	1	1	1	1	1	1	1	1	1	1	8

shaft in EN 1.4462 (AISI 329A)

Pump Type	N°																											
	56	70-1	70-2	75	75-1	81	107	111-1	111-3	111-4	111-5	115-1	115-4	115-5	120-1	120-2	120-3	120-5	120-6	120-7	120-8	120-9	120-12	120-13	128-1	128-2	128-3	128-6
EVMSG64 1-1/4,0	/	/	1	2	4	1	1	1	1	1	1	2	1	1	4	2	4	/	4	/	/	4	1	4	4	4	/	4
EVMSG64 1-0/5,5	/	/	1	2	4	1	1	1	1	1	1	2	1	1	4	2	4	/	4	/	/	4	1	4	4	4	4	/
EVMSG64 2-2/7,5	/	/	1	2	4	2	2	1	1	1	1	2	1	1	4	2	4	/	4	/	/	4	1	4	4	4	4	/
EVMSG64 2-1/11	/	/	1	2	4	2	2	1	1	1	1	2	1	1	4	2	4	/	4	/	/	4	1	4	4	4	4	/
EVMSG64 2-0/15	/	/	1	2	4	2	2	1	1	1	1	2	1	1	4	2	4	/	4	/	/	4	1	4	4	4	4	/
EVMSG64 3-2/15	/	/	1	2	4	2	3	1	1	1	1	2	1	1	4	2	4	/	4	/	/	4	1	4	4	4	4	/
EVMSG64 3-1/15	/	/	1	2	4	2	3	1	1	1	1	2	1	1	4	2	4	/	4	/	/	4	1	4	4	4	4	/
EVMSG64 3-0/18,5	/	/	1	2	4	2	3	1	1	1	1	2	1	1	4	2	4	/	4	/	/	4	1	4	4	4	4	/
EVMSG64 4-2/18,5	/	/	1	2	4	3	4	1	1	1	1	2	1	1	4	2	4	/	4	/	/	4	1	4	4	4	4	/
EVMSG64 4-1/22	/	/	1	2	4	3	4	1	1	1	1	2	1	1	4	2	4	/	4	/	/	4	1	4	4	4	4	/
EVMSG64 4-0/22	/	/	1	2	4	3	4	1	1	1	1	2	1	1	4	2	4	/	4	/	/	4	1	4	4	4	4	/
EVMSG64 5-2/30	/	/	1	2	4	4	5	1	1	1	1	2	1	1	4	2	4	/	4	/	/	4	1	4	4	4	4	/
EVMSG64 5-1/30	/	/	1	2	4	4	5	1	1	1	1	2	1	1	4	2	4	/	4	/	/	4	1	4	4	4	4	/
EVMSG64 5-0/30	/	/	1	2	4	4	5	1	1	1	1	2	1	1	4	2	4	/	4	/	/	4	1	4	4	4	4	/
EVMSG64 6-2/30	/	/	1	2	4	5	6	1	1	1	1	2	1	1	4	2	4	/	4	/	/	4	1	4	4	4	4	/
EVMSG64 6-1/37	1	1	1	2	4	5	6	1	1	1	1	2	1	1	4	2	4	4	2	3	4	4	1	4	4	4	4	/
EVMSG64 6-0/37	1	1	1	2	4	5	6	1	1	1	1	2	1	1	4	2	4	4	2	3	4	4	1	4	4	4	4	/
EVMSG64 7-2/37	1	1	1	2	4	6	7	1	1	1	1	2	1	1	4	2	4	4	2	3	4	4	1	4	4	4	4	/
EVMSG64 7-1/37	1	1	1	2	4	6	7	1	1	1	1	2	1	1	4	2	4	4	2	3	4	4	1	4	4	4	4	/
EVMSG64 7-0/45	1	1	1	2	4	6	7	1	1	1	1	2	1	1	4	2	4	4	2	3	4	4	1	8	4	4	8	/
EVMSG64 8-2/45	1	1	1	2	4	7	8	1	1	1	1	2	1	1	4	2	4	4	2	3	4	4	1	8	4	4	8	/
EVMSG64 8-1/45	1	1	1	2	4	7	8	1	1	1	1	2	1	1	4	2	4	4	2	3	4	4	1	8	4	4	8	/
EVMSG64 8-0/45	1	1	1	2	4	7	8	1	1	1	1	2	1	1	4	2	4	4	2	3	4	4	1	8	4	4	8	/

QUANTITY FOR MODEL EVMSG64

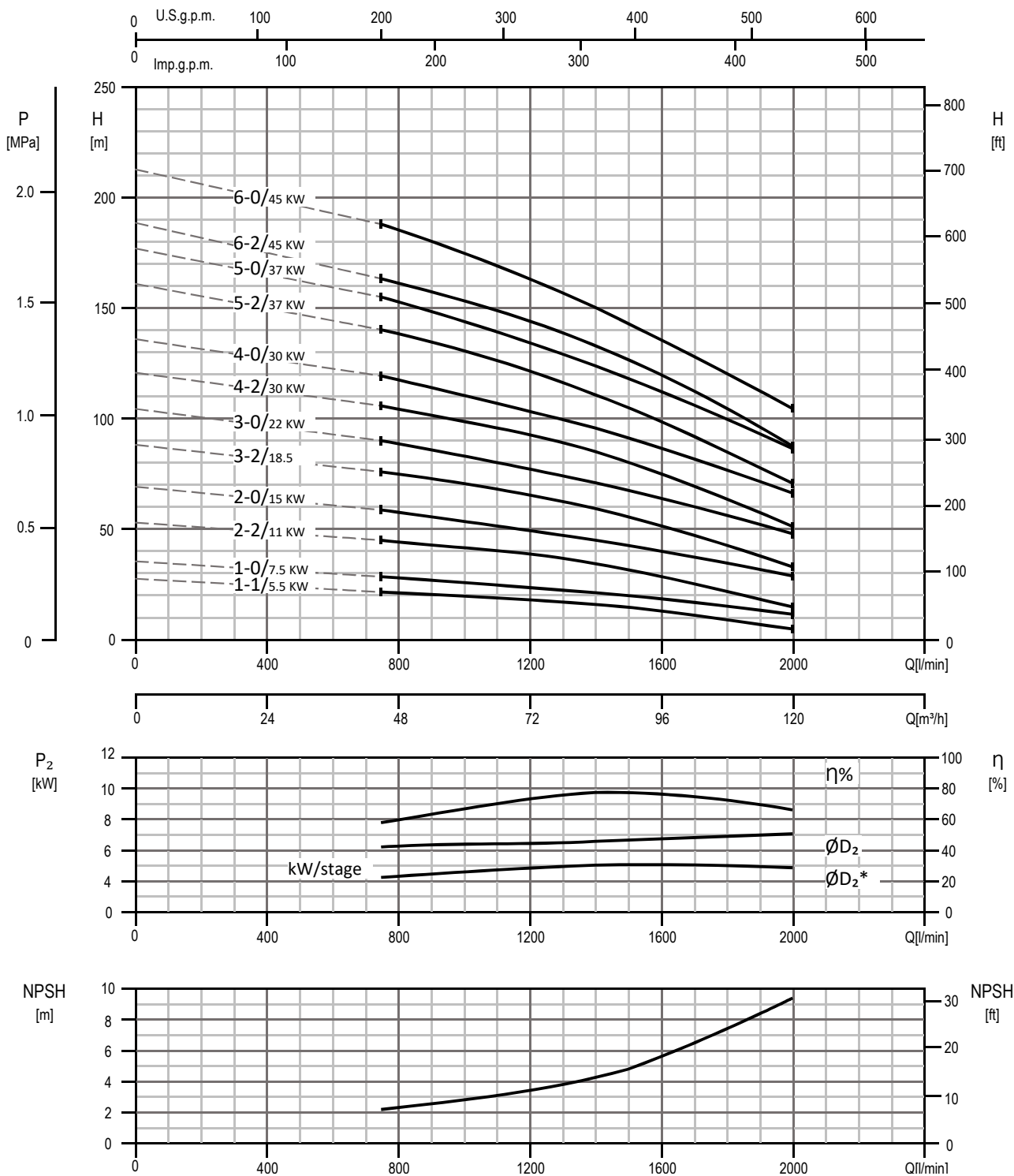
Pump Type	N°																							
	130-1	130-2	130-4	131-1	135-1	135-2	135-3	135-4	135-5	135-6	137-1	137-2	140	140-1	140-2	150	162	212	212-1	212-2	212-3	245	273-1	274-2
EVMSG64 1-1/4,0	3	4	/	1	4	2	/	/	1	4	1	1	2	/	/	/	1	1	4	1	1	2	4	/
EVMSG64 1-0/5,5	3	4	/	1	4	2	/	/	1	/	1	1	2	/	/	/	1	1	4	1	1	2	4	/
EVMSG64 2-2/7,5	3	4	/	1	4	2	/	/	1	/	1	1	2	/	/	/	1	1	4	1	1	2	4	/
EVMSG64 2-1/11	3	4	/	1	4	2	/	/	1	/	1	1	2	/	/	/	1	1	4	1	1	2	4	/
EVMSG64 2-0/15	3	4	/	1	4	2	/	/	1	/	1	1	2	/	/	/	1	1	4	1	1	2	4	/
EVMSG64 3-2/15	3	4	/	1	4	2	/	/	1	/	1	1	2	/	/	/	1	1	4	1	1	2	4	/
EVMSG64 3-1/15	3	4	/	1	4	2	/	/	1	/	1	1	2	/	/	/	1	1	4	1	1	2	4	/
EVMSG64 3-0/18,5	3	4	/	1	4	2	/	/	1	/	1	1	2	/	/	/	1	1	4	1	1	2	4	/
EVMSG64 4-2/18,5	3	4	/	1	4	2	/	/	1	/	1	1	2	/	/	/	1	1	4	1	1	2	4	/
EVMSG64 4-1/22	3	4	/	1	4	2	/	/	1	/	1	1	2	/	/	/	1	1	4	1	1	2	4	/
EVMSG64 4-0/22	3	4	/	1	4	2	/	/	1	/	1	1	2	/	/	/	1	1	4	1	1	2	4	/
EVMSG64 5-2/30	3	4	/	1	4	2	/	/	1	/	1	1	2	/	/	/	1	1	4	1	1	2	4	/
EVMSG64 5-1/30	3	4	/	1	4	2	/	/	1	/	1	1	2	/	/	/	1	1	4	1	1	2	4	/
EVMSG64 5-0/30	3	4	/	1	4	2	/	/	1	/	1	1	2	/	/	/	1	1	4	1	1	2	4	/
EVMSG64 6-2/30	3	4	/	1	4	2	/	/	1	/	1	1	2	/	/	/	1	1	4	1	1	2	4	/
EVMSG64 6-1/37	3	4	1	1	4	2	4	3	1	/	1	1	/	1	1	1	1	4	1	1	2	4	1	
EVMSG64 6-0/37	3	4	1	1	4	2	4	3	1	/	1	1	/	1	1	1	1	4	1	1	2	4	1	
EVMSG64 7-2/37	3	4	1	1	4	2	4	3	1	/	1	1	/	1	1	1	1	4	1	1	2	4	1	
EVMSG64 7-1/37	3	4	1	1	4	2	4	3	1	/	1	1	/	1	1	1	1	4	1	1	2	4	1	
EVMSG64 7-0/45	3	4	1	1	4	2	4	3	1	/	1	1	/	1	1	1	1	4	1	1	2	4	1	
EVMSG64 8-2/45	3	4	1	1	4	2	4	3	1	/	1	1	/	1	1	1	1	4	1	1	2	4	1	
EVMSG64 8-1/45	3	4	1	1	4	2	4	3	1	/	1	1	/	1	1	1	1	4	1	1	2	4	1	
EVMSG64 8-0/45	3	4	1	1	4	2	4	3	1	/	1	1	/	1	1	1	1	4	1	1	2	4	1	

BEARINGS EVMSG64

Pump Type	N° 56
EVMSG64 1-1/4,0	/
EVMSG64 1-0/5,5	/
EVMSG64 2-2/7,5	/
EVMSG64 2-1/11	/
EVMSG64 2-0/15	/
EVMSG64 3-2/15	/
EVMSG64 3-1/15	/
EVMSG64 3-0/18,5	/
EVMSG64 4-2/18,5	/
EVMSG64 4-1/22	/
EVMSG64 4-0/22	/
EVMSG64 5-2/30	/
EVMSG64 5-1/30	/
EVMSG64 5-0/30	/
EVMSG64 6-2/30	/
EVMSG64 6-1/37	6315
EVMSG64 6-0/37	6315
EVMSG64 7-2/37	6315
EVMSG64 7-1/37	6315
EVMSG64 7-0/45	6315
EVMSG64 8-2/45	6315
EVMSG64 8-1/45	6315
EVMSG64 8-0/45	6315

PERFORMANCE CURVE
EVMS(L)90

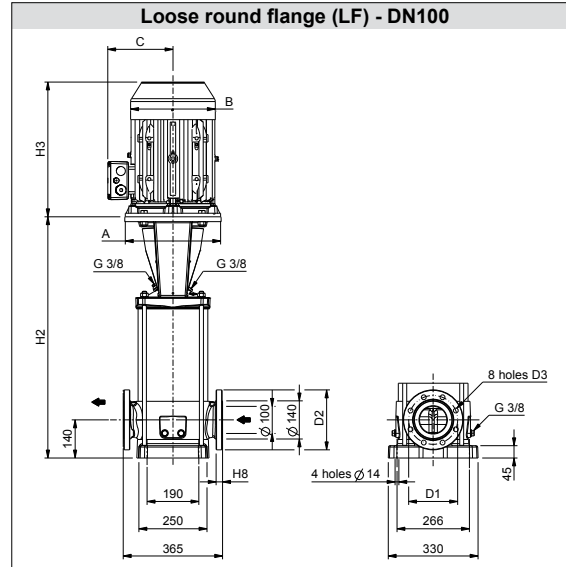
EVMS(L)90



Test standard: ISO 9906:2012 - Grade 3B

TECHNICAL DATA EVMS(L)90

Dimensional sketch



Dimensions [mm] and Weights [Kg]

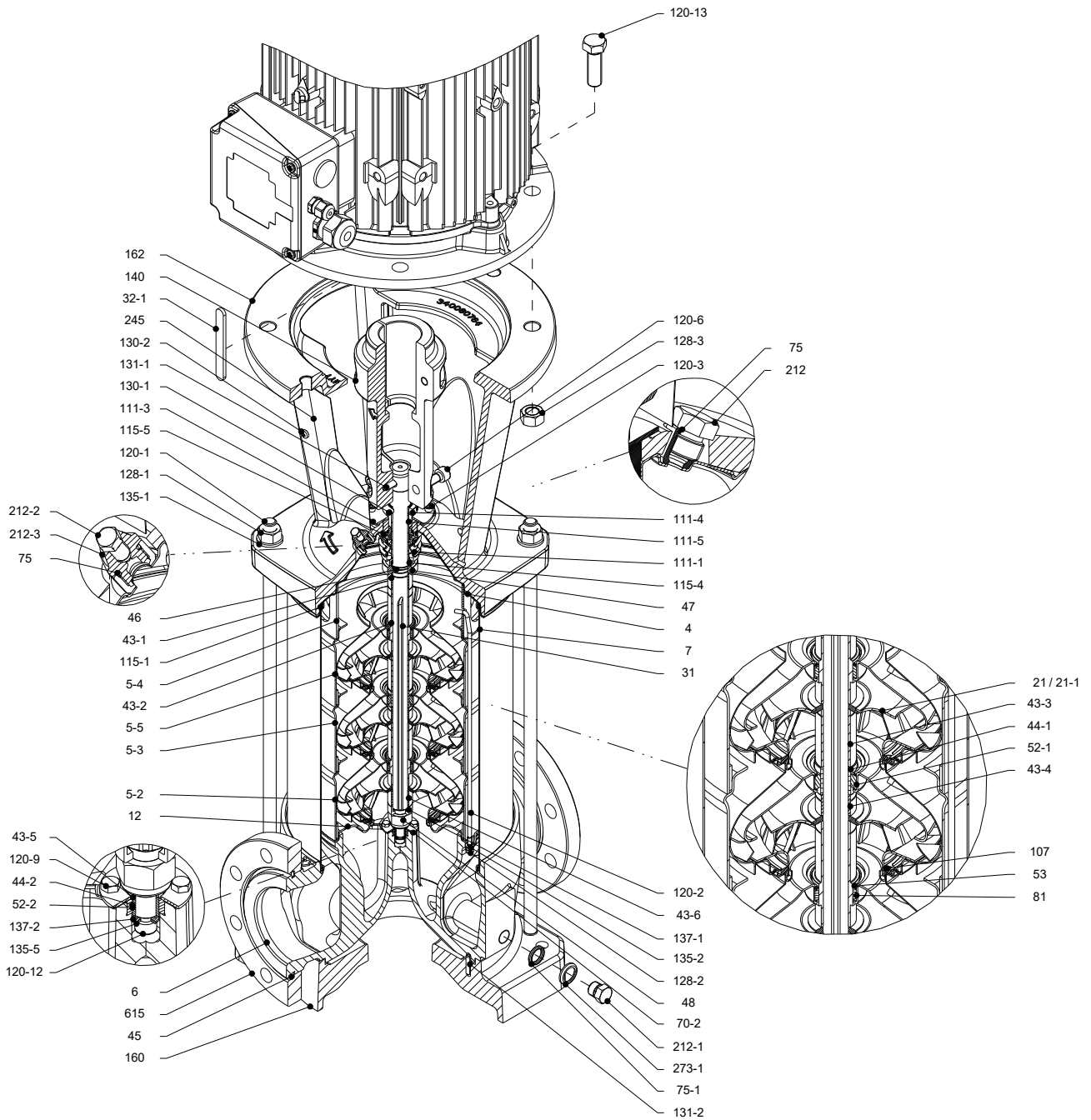
Pump Type	Pmax [MPa]	Motor					Loose round flange (LF)							Weight Pump	Weight Pump + Motor
		kW	Size	A	B	C	H2	H2+H3	D1	D2	D3	H8			
EVMS(L)90 1-1/5.5	1.6	5.5	132	300	220	152	671	1070	180	220	18	24	77.9	116.9	
EVMS(L)90 1-0/7.5	1.6	7.5	132	300	220	152	671	1090	180	220	18	24	77.9	123.9	
EVMS(L)90 2-2/11	1.6	11	160	350	259	180	794	1233	180	220	18	24	90.2	152.7	
EVMS(L)90 2-0/15	1.6	15	160	350	311	240	794	1289	180	220	18	24	90.2	191.2	
EVMS(L)90 3-2/18.5	1.6	18.5	160	350	311	240	887	1382	180	220	18	24	95.8	204.8	
EVMS(L)90 3-0/22	1.6	22	180	350	354	260	887	1439	180	220	18	24	95.6	230.6	
EVMS(L)90 4-2/30	1.6	30	200	400	354	280	980	1532	180	220	18	24	106.1	274.1	
EVMS(L)90 4-0/30	1.6	30	200	400	354	280	980	1532	180	220	18	24	106.2	274.2	
EVMS(L)90 5-2/37	2.5	37	200	400	382	295	1090	1767	190	235	22	30	129.8	389.8	
EVMS(L)90 5-0/37	2.5	37	200	400	382	295	1090	1767	190	235	22	30	128.6	388.6	
EVMS(L)90 6-2/45	2.5	45	225	450	449	335	1183	1949	190	235	22	30	139.7	513.7	
EVMS(L)90 6-0/45	2.5	45	225	450	449	335	1183	1949	190	235	22	30	139.7	513.7	

1.6 MPa=16 bar;

2.5 MPa=25 bar

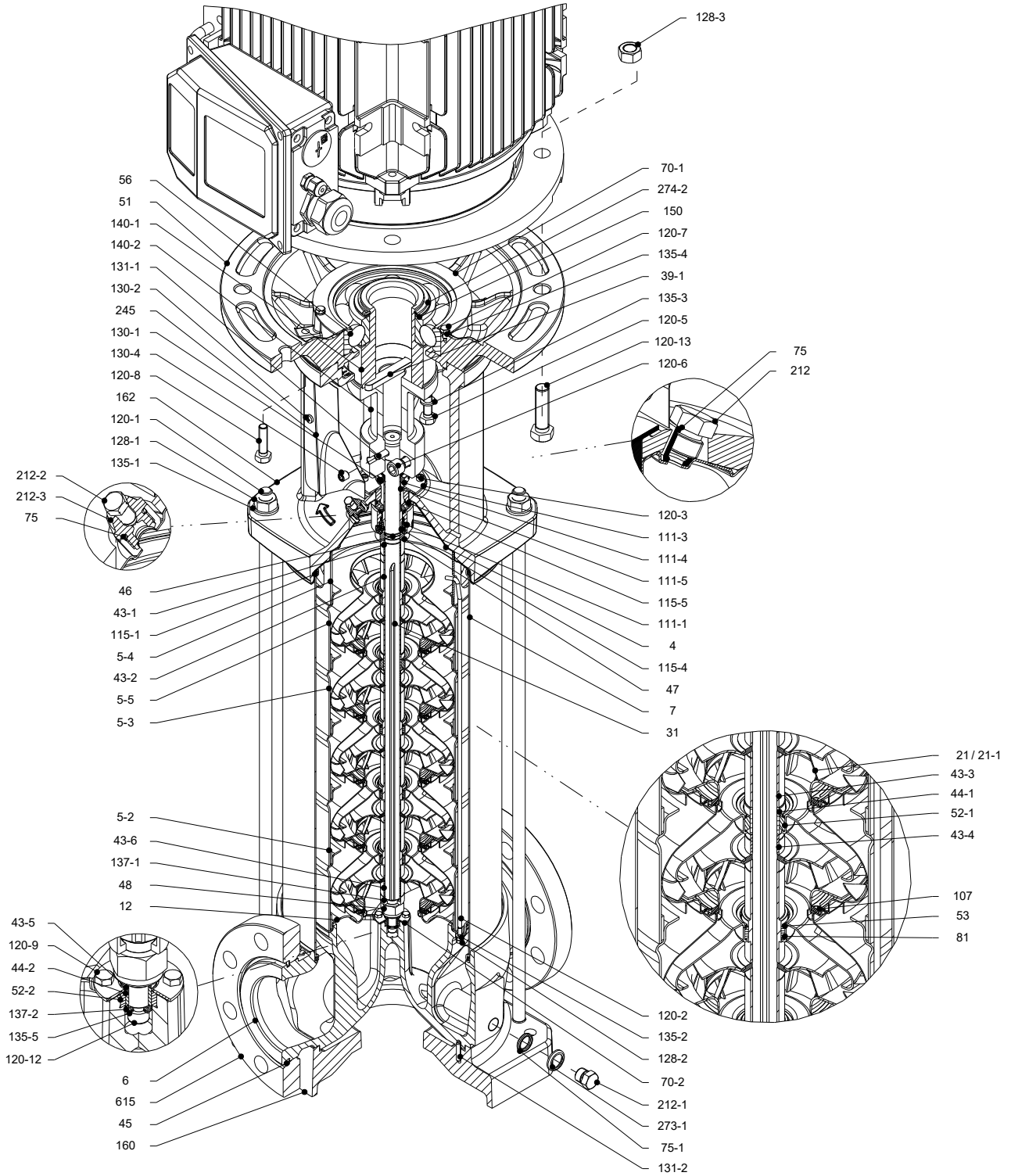
SECTIONAL VIEW
EVMS(L)90

EVMS(L)90



Pump without ball bearing
up to 30 kW

SECTIONAL VIEW EVMS(L)90



Pump with single ball bearing
above 37 kW

SECTIONAL TABLE
EVMS(L)90

N°	PART NAME	MATERIAL		DIMENSIONS	STANDARD
		EVMS	EVMSL		
4	Casing cover	EN 1.4301 (AISI 304)	EN 1.4404 (AISI 316L)		
5-2	Intermediate casing	EN 1.4301 (AISI 304)	EN 1.4404 (AISI 316L)		
5-3	Intermediate casing with bearing	EN 1.4301 (AISI 304)	EN 1.4404 (AISI 316L)		
5-4	Discharge casing	EN 1.4301 (AISI 304)	EN 1.4404 (AISI 316L)		
5-5	Top intermediate casing	EN 1.4301 (AISI 304)	EN 1.4404 (AISI 316L)		
6	Bottom casing	EN 1.4308 (ASTM CF8)	EN 1.4408 (ASTM CF8M)		
7	Outer casing	EN 1.4301 (AISI 304)	EN 1.4404 (AISI 316L)		
12	Suction cover	EN 1.4301 (AISI 304)	EN 1.4404 (AISI 316L)		
21	Impeller	EN 1.4301 (AISI 304)	EN 1.4404 (AISI 316L)		
21-1	Reduced impeller	EN 1.4301 (AISI 304)	EN 1.4404 (AISI 316L)		
31	Shaft	EN 1.4301 (AISI 304)	EN 1.4462 (AISI 329A)		
32-1	Adjuster key	EN 1.4301 (AISI 304)			
39-1	Coupling key	Carbon Steel			
43-1	Shaft sleeve (mechanical seal)	EN 1.4301 (AISI 304)	EN 1.4404 (AISI 316L)		
43-2	Shaft sleeve (intermediate)	EN 1.4301 (AISI 304)	EN 1.4404 (AISI 316L)		
43-3	Shaft sleeve (bearing)	EN 1.4301 (AISI 304)	EN 1.4404 (AISI 316L)		
43-4	Shaft sleeve (adjustment)	EN 1.4301 (AISI 304)	EN 1.4404 (AISI 316L)		
43-5	Shaft sleeve (last stage)	EN 1.4301 (AISI 304)	EN 1.4404 (AISI 316L)		
43-6	Shaft sleeve (adjustment)	EN 1.4301 (AISI 304)	EN 1.4404 (AISI 316L)		
44-1	Shaft sleeve bearing	Tungsten carbide			
44-2	Shaft sleeve (bearing)	Tungsten carbide			
45	Flange holder	EN 1.4301 (AISI 304)			
46	Ring (mechanical seal)	EN 1.4404 (AISI 316L)			
47	Ring holder	EN 1.4404 (AISI 316L)			
48	Impeller nut	EN 1.4301 (AISI 304) with inox insert	EN 1.4401 (AISI 316) with inox insert		
51	Motor adapter	Cast Iron EN GJL250 EN 1561			
52-1	Sleeve bearing	Tungsten carbide			
52-2	Bearing sleeve (bottom casing)	Tungsten carbide			
53	Bush holder	EN 1.4301 (AISI 304)	EN 1.4404 (AISI 316L)		
56	Ball bearing	above 37 kW see table page 143			
70-1	Ring for ball bearing	above 37 kW EN 1.4301 (AISI 304)			
70-2	Ring for bearing sleeve	EN 1.4301 (AISI 304)	EN 1.4404 (AISI 316L)		
75	O-Ring (priming plug)	EPDM / FPM		Ø12.37x2.62	OR 3050
75-1	O-Ring (drainage plug)	EPDM / FPM			
81	Bush	PTFE			
107	Liner ring	EN 1.4301 (AISI 304) + PPS	EN 1.4404 (AISI 316L) + PPS		
111-1	Mechanical seal	see pages 6-7			
111-3	Mechanical seal seat	EN 1.4301 (AISI 304)	EN 1.4401 (AISI 316)		
111-4	Seal holder	EN 1.4404 (AISI 316L)			
111-5	Mechanical seal cartridge sleeve	EN 1.4301 (AISI 304)	EN 1.4404 (AISI 316L)		
115-1	O-Ring (outer casing)	EPDM / FPM		Ø240.66x5.34	OR 6945
115-4	O-Ring (cartridge sleeve)	EPDM / FPM		Ø23.39x3.53	OR 4093
115-5	O-Ring (seal flange)	EPDM / FPM		Ø47.22x3.53	OR 4187
120-1	Tie rod	EN 1.4057 (AISI 431)			
120-2	Tie rod (stage)	EN 1.4301 (AISI 304)	EN 1.4401 (AISI 316)		
120-3	Screw (seal flange)	A2-70		M5x12	ISO 4762
120-5	Screw (extension coupling)	above 37 kW Galvanized steel 8.8 strength class ISO 898/1		M10x30	ISO 4017

SECTIONAL TABLE EVMS(L)90

N°	PART NAME	MATERIAL		DIMENSIONS	STANDARD	
		EVMS	EVMSL			
120-6	Screw (pump coupling)	up to 7.5 kW	Galvanized steel 8.8 strength class ISO 898/1	M8x25	ISO 4762	
		from 11 kW to 30 kW	Galvanized steel 8.8 strength class ISO 898/1	M10x30	ISO 4762	
		above 37 kW	Galvanized steel 8.8 strength class ISO 898/1	M12x30	ISO 4762	
120-7	Screw (ball bearing)	above 37 kW	Galvanized steel 8.8 strength class ISO 898/1	M6x10	ISO 4017	
120-8	Screw (motor adapter)	above 37 kW	Galvanized steel 8.8 strength class ISO 898/1	M10x40	ISO 4017	
120-9	Screw (bottom casing)		A2-70	A4-70	M5x8	ISO 4017
120-12	Screw (shaft)		A2-70	A4-70	M6x16	ISO 4762
120-13	Screw for motor	MEC 132	Galvanized steel 8.8 strength class ISO 898/1	M12x45	ISO 4017	
		MEC 160-180	Galvanized steel 8.8 strength class ISO 898/1	M16x50	ISO 4017	
		MEC 200-225	Galvanized steel 8.8 strength class ISO 898/1	M16x60	ISO 4014	
128-1	Nut (tie rod)		A2-70		M16	ISO 4032
128-2	Nut (casing tie rod)		A2-70	A4-70	M5	ISO 4032
128-3	Nut (motor)	MEC 132	Galvanized steel		M12	ISO 4032
		MEC 160-180-200-225	Galvanized steel		M16	ISO 4032
130-1	Set screw		EN 1.4301 (AISI 304)		M6x8	ISO 4026
130-2	Screw for coupling guard		A2-70		M5x6	UNI 7687
130-4	Set screw (pump coupling)	above 37 kW	Galvanized steel		M10x10	ISO 4026
131-1	Pin for shaft		Carbon Steel		Ø8x50	ISO 2338
131-2	Elastic pin		EN 1.4301 (AISI 304)		Ø6x26	ISO 8752
135-1	Washer (tie rod)		EN 1.4301 (AISI 304)		Ø16	ISO 7089
135-2	Washer (casing tie rod)		EN 1.4301 (AISI 304)	EN 1.4404 (AISI 316)	Ø5,1	UNI 1751
135-3	Washer (extension coupling)	above 37 kW	Galvanized steel		Ø10,2	UNI 1751
135-4	Washer (ball bearing)	above 37 kW	Plated carbon steel		Ø6,1	UNI 1751
135-5	Washer (impeller nut)		EN 1.4301 (AISI 304)	EN 1.4404 (AISI 316L)		
137-1	Impeller spacer		EN 1.4301 (AISI 304)	EN 1.4404 (AISI 316L)		
137-2	Shaft spacer		EN 1.4301 (AISI 304)	EN 1.4404 (AISI 316L)		
140	Coupling	up to 30 kW	Cast Iron EN GJL250 EN 1561			
140-1	Extension coupling	above 37 kW	Carbon Steel			
140-2	Coupling	above 37 kW	Carbon Steel			
150	Spacer (snap ring)	above 37 kW	Carbon Steel			
160	Base		Cast Iron EN GJL200 EN 1561			
162	Motor bracket	up to 30 kW	Cast Iron EN GJS 400-15 EN 1563			
212	Priming plug		EN 1.4301 (AISI 304)	EN 1.4404 (AISI 316L)		
212-1	Drainage plug		EN 1.4301 (AISI 304)	EN 1.4404 (AISI 316L)		
212-2	Venting plug		EN 1.4401 (AISI 316)			
212-3	Priming plug		EN 1.4301 (AISI 304)	EN 1.4404 (AISI 316L)		
245	Coupling guard		EN 1.4301 (AISI 304)			
273-1	Washer (drainage plug)		EN 1.4301 (AISI 304)	EN 1.4404 (AISI 316L)		
274-2	C-type snap ring (coupling)	above 37 kW	Carbon Steel TC80		Ø75	UNI 7435
615	Loose flange		Cast Iron EN GJS 500-7 EN 1563			

QUANTITY FOR MODEL
EVMS(L)90

Pump Type	N°																										
	4	5-2	5-3	5-4	5-5	6	7	12	21	21-1	31	32-1	39-1	43-1	43-2	43-3	43-4	43-5	43-6	44-1	44-2	45	46	47	48	51	52-1
EVMS(L)90 1-1/5.5	1	/	/	1	1	1	1	1	/	1	1	/	1	1	/	/	1	1	/	1	4	1	1	1	/	/	1
EVMS(L)90 1-0/7.5	1	/	/	1	1	1	1	1	/	1	1	/	1	1	/	/	1	1	/	1	4	1	1	1	/	/	1
EVMS(L)90 2-2/11	1	/	1	1	1	1	1	1	/	2	1	1	/	1	1	1	1	1	1	1	4	1	1	1	/	1	1
EVMS(L)90 2-0/15	1	/	1	1	1	1	1	1	2	/	1	1	/	1	1	1	1	1	1	1	4	1	1	1	/	1	1
EVMS(L)90 3-2/18.5	1	1	1	1	1	1	1	1	1	2	1	1	/	1	2	1	1	1	1	1	4	1	1	1	/	1	1
EVMS(L)90 3-0/22	1	1	1	1	1	1	1	1	3	/	1	1	/	1	2	1	1	1	1	1	4	1	1	1	/	1	1
EVMS(L)90 4-2/30	1	2	1	1	1	1	1	1	2	2	1	1	/	1	3	1	1	1	1	1	4	1	1	1	/	1	1
EVMS(L)90 4-0/30	1	2	1	1	1	1	1	1	4	/	1	1	/	1	3	1	1	1	1	1	4	1	1	1	/	1	1
EVMS(L)90 5-2/37	1	3	1	1	1	1	1	1	3	2	1	/	1	1	4	1	1	1	1	1	4	1	1	1	1	1	1
EVMS(L)90 5-0/37	1	3	1	1	1	1	1	1	5	/	1	/	1	1	4	1	1	1	1	1	4	1	1	1	1	1	1
EVMS(L)90 6-2/45	1	4	1	1	1	1	1	1	5	1	1	/	1	1	5	1	1	1	1	1	4	1	1	1	1	1	1
EVMS(L)90 6-0/45	1	4	1	1	1	1	1	1	6	/	1	/	1	1	5	1	1	1	1	1	4	1	1	1	1	1	1

shaft in EN 1.4462 (AISI 329A) only for EVMSL

Pump Type	N°																											
	53	56	70-1	70-2	75	75-1	81	107	111-1	111-3	111-4	111-5	115-1	115-4	115-5	120-1	120-2	120-3	120-5	120-6	120-7	120-8	120-9	120-12	120-13	128-1	128-2	128-3
EVMS(L)90 1-1/5.5	1	/	/	1	2	4	1	1	1	1	1	1	2	1	1	4	2	4	/	4	/	/	4	1	4	4	4	4
EVMS(L)90 1-0/7.5	1	/	/	1	2	4	1	1	1	1	1	1	2	1	1	4	2	4	/	4	/	/	4	1	4	4	4	4
EVMS(L)90 2-2/11	1	/	/	1	2	4	1	2	1	1	1	1	2	1	1	4	2	4	/	4	/	/	4	1	4	4	4	4
EVMS(L)90 2-0/15	1	/	/	1	2	4	1	2	1	1	1	1	2	1	1	4	2	4	/	4	/	/	4	1	4	4	4	4
EVMS(L)90 3-2/18.5	3	/	/	1	2	4	2	3	1	1	1	1	2	1	1	4	2	4	/	4	/	/	4	1	4	4	4	4
EVMS(L)90 3-0/22	3	/	/	1	2	4	2	3	1	1	1	1	2	1	1	4	2	4	/	4	/	/	4	1	4	4	4	4
EVMS(L)90 4-2/30	4	/	/	1	2	4	3	4	1	1	1	1	2	1	1	4	2	4	/	4	/	/	4	1	4	4	4	4
EVMS(L)90 4-0/30	4	/	/	1	2	4	3	4	1	1	1	1	2	1	1	4	2	4	/	4	/	/	4	1	4	4	4	4
EVMS(L)90 5-2/37	5	1	1	1	2	4	4	5	1	1	1	1	2	1	1	4	2	4	4	2	3	4	4	1	4	4	4	4
EVMS(L)90 5-0/37	5	1	1	1	2	4	4	5	1	1	1	1	2	1	1	4	2	4	4	2	3	4	4	1	4	4	4	4
EVMS(L)90 6-2/45	6	1	1	1	2	4	5	6	1	1	1	1	2	1	1	4	2	4	4	2	3	4	4	1	8	4	4	8
EVMS(L)90 6-0/45	6	1	1	1	2	4	5	6	1	1	1	1	2	1	1	4	2	4	4	2	3	4	4	1	8	4	4	8

Pump Type	N°																									
	130-1	130-2	130-4	131-1	131-2	135-1	135-2	135-3	135-4	135-5	137-1	137-2	140	140-1	140-2	150	160	162	212	212-1	212-2	212-3	245	273-1	274-2	615
EVMS(L)90 1-1/5.5	3	4	/	1	1	4	2	/	/	1	1	1	2	/	/	/	1	1	1	4	1	1	2	4	/	2
EVMS(L)90 1-0/7.5	3	4	/	1	1	4	2	/	/	1	1	1	2	/	/	/	1	1	1	4	1	1	2	4	/	2
EVMS(L)90 2-2/11	3	4	/	1	1	4	2	/	/	1	1	1	2	/	/	/	1	1	1	4	1	1	2	4	/	2
EVMS(L)90 2-0/15	3	4	/	1	1	4	2	/	/	1	1	1	2	/	/	/	1	1	1	4	1	1	2	4	/	2
EVMS(L)90 3-2/18.5	3	4	/	1	1	4	2	/	/	1	1	1	2	/	/	/	1	1	1	4	1	1	2	4	/	2
EVMS(L)90 3-0/22	3	4	/	1	1	4	2	/	/	1	1	1	2	/	/	/	1	1	1	4	1	1	2	4	/	2
EVMS(L)90 4-2/30	3	4	/	1	1	4	2	/	/	1	1	1	2	/	/	/	1	1	1	4	1	1	2	4	/	2
EVMS(L)90 4-0/30	3	4	/	1	1	4	2	/	/	1	1	1	2	/	/	/	1	1	1	4	1	1	2	4	/	2
EVMS(L)90 5-2/37	3	4	1	1	1	4	2	4	3	1	1	1	/	1	1	1	1	1	4	1	1	2	4	1	2	
EVMS(L)90 5-0/37	3	4	1	1	1	4	2	4	3	1	1	1	/	1	1	1	1	1	4	1	1	2	4	1	2	
EVMS(L)90 6-2/45	3	4	1	1	1	4	2	4	3	1	1	1	/	1	1	1	1	1	4	1	1	2	4	1	2	
EVMS(L)90 6-0/45	3	4	1	1	1	4	2	4	3	1	1	1	/	1	1	1	1	1	4	1	1	2	4	1	2	

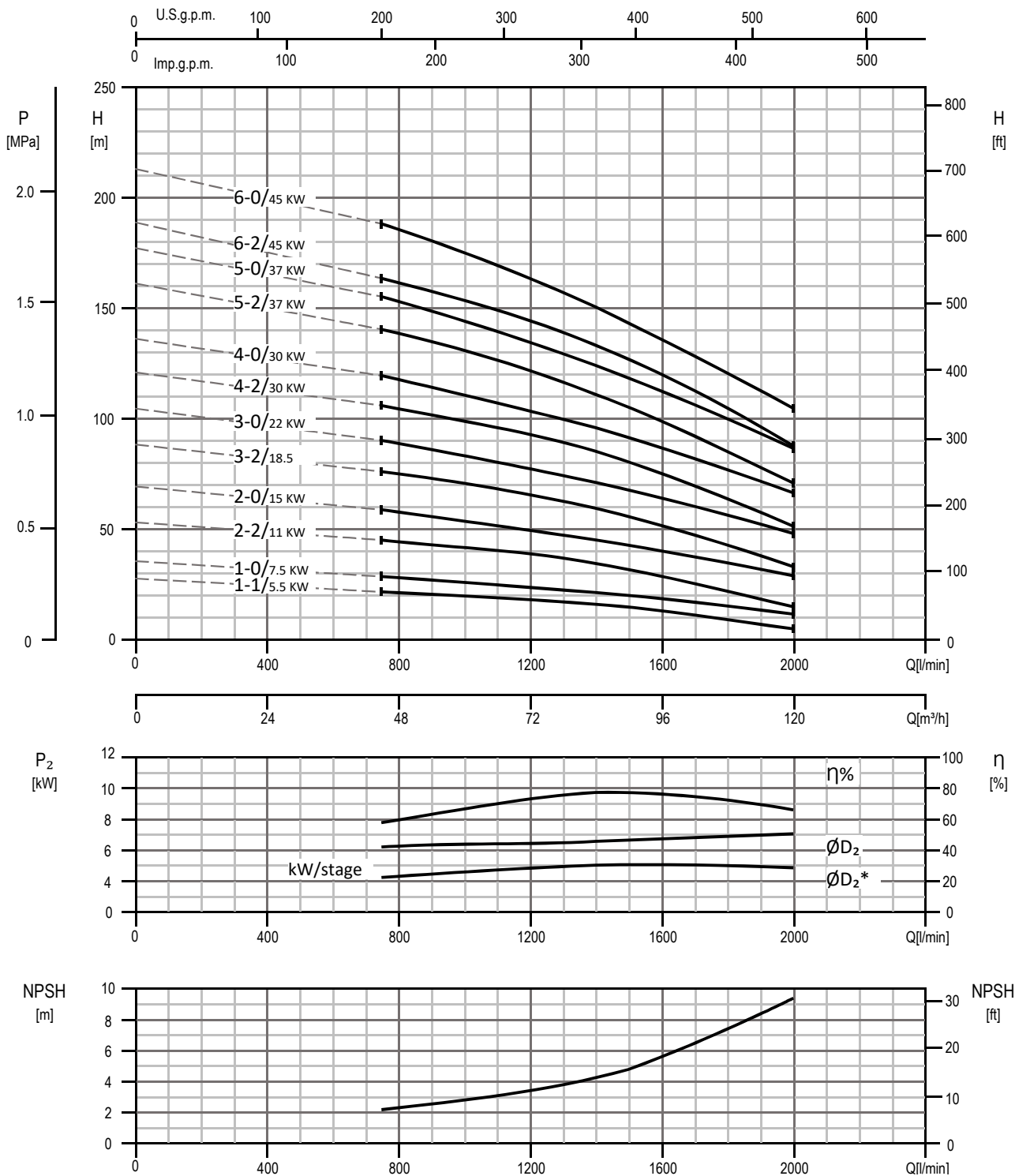
BEARINGS EVMS(L)90

2.17

Pump Type	N° 56
EVMS(L)90 1-1/5.5	/
EVMS(L)90 1-0/7.5	/
EVMS(L)90 2-2/11	/
EVMS(L)90 2-0/15	/
EVMS(L)90 3-2/18.5	/
EVMS(L)90 3-0/22	/
EVMS(L)90 4-2/30	/
EVMS(L)90 4-0/30	/
EVMS(L)90 5-2/37	6315
EVMS(L)90 5-0/37	6315
EVMS(L)90 6-2/45	6315
EVMS(L)90 6-0/45	6315

EVMS(L)90

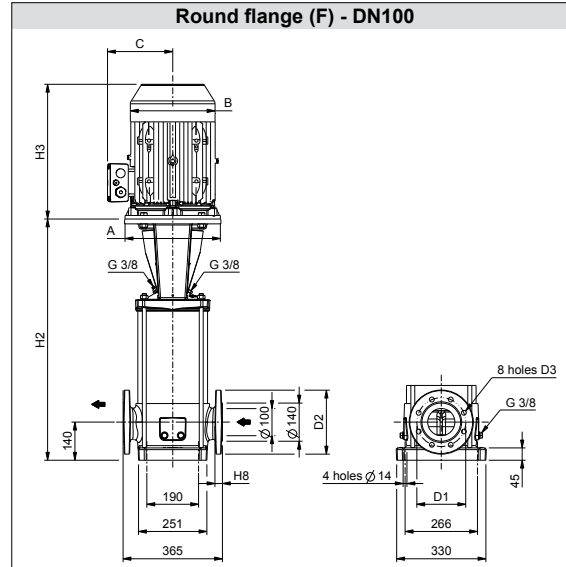
PERFORMANCE CURVE
EVMSG90



Test standard: ISO 9906:2012 - Grade 3B

TECHNICAL DATA EVMSG90

Dimensional sketch



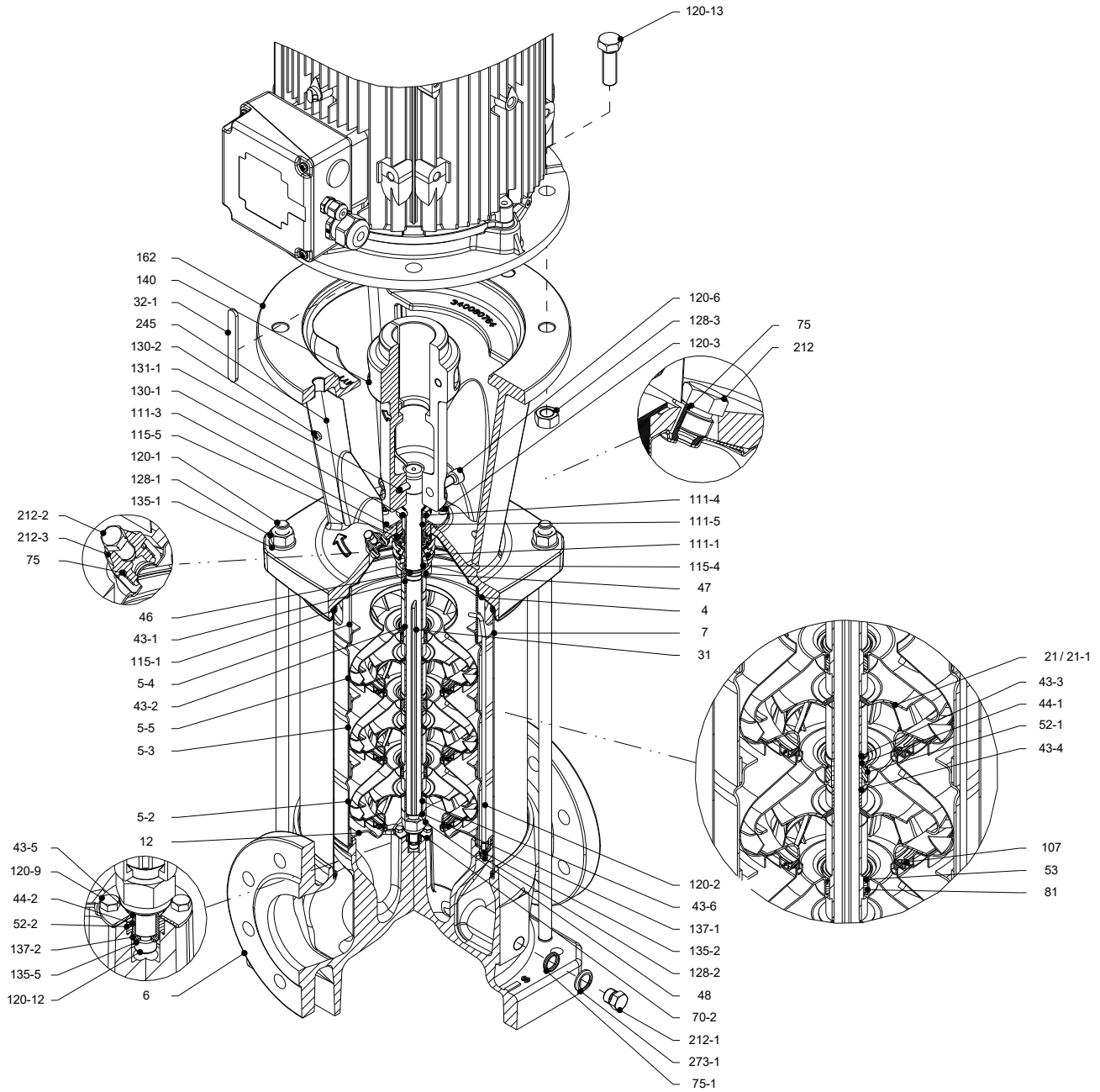
Dimensions [mm] and Weights [Kg]

Pump Type	Pmax [MPa]	Motor					Round flange (F)							Weight Pump	Weight Pump + Motor
		kW	Size	A	B	C	H2	H2+H3	D1	D2	D3	H8			
EVMSG90 1-1/5.5	1.6	5.5	132	300	220	152	671	1070	180	235	18	24	74.9	113.9	
EVMSG90 1-0/7.5	1.6	7.5	132	300	220	152	671	1090	180	235	18	24	74.9	120.9	
EVMSG90 2-2/11	1.6	11	160	350	259	180	794	1233	180	235	18	24	87.2	149.7	
EVMSG90 2-0/15	1.6	15	160	350	311	240	794	1289	180	235	18	24	87.2	188.2	
EVMSG90 3-2/18.5	1.6	18.5	160	350	311	240	887	1382	180	235	18	24	92.8	201.8	
EVMSG90 3-0/22	1.6	22	180	350	354	260	887	1439	180	235	18	24	92.6	227.6	
EVMSG90 4-2/30	1.6	30	200	400	354	280	980	1532	180	235	18	24	103.1	271.1	
EVMSG90 4-0/30	1.6	30	200	400	354	280	980	1532	180	235	18	24	103.1	271.1	
EVMSG90 5-2/37	2.5	37	200	400	382	295	1090	1767	190	254	22	31	126.8	386.8	
EVMSG90 5-0/37	2.5	37	200	400	382	295	1090	1767	190	254	22	31	127.0	387.0	
EVMSG90 6-2/45	2.5	45	225	450	449	335	1183	1949	190	254	22	31	138.0	512.0	
EVMSG90 6-0/45	2.5	45	225	450	449	335	1183	1949	190	254	22	31	138.0	512.0	

1.6 MPa=16 bar;

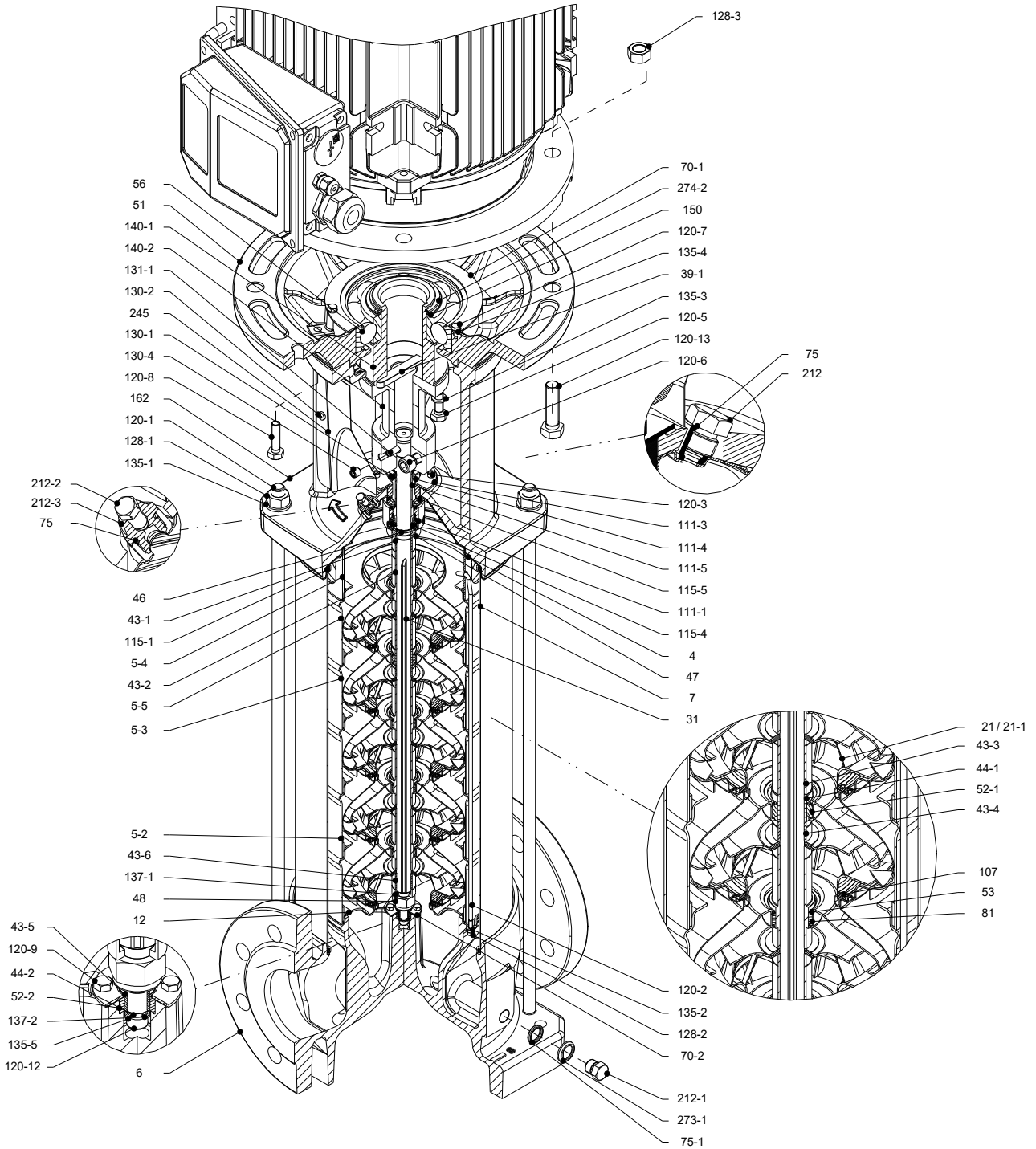
2.5 MPa=25 bar

SECTIONAL VIEW
EVMSG90



Pump without ball bearing
up to 30 kW

SECTIONAL VIEW EVMSG90



Pump with single ball bearing
above 37 kW

SECTIONAL TABLE
EVMSG90

N°	PART NAME	MATERIAL EVMSG	DIMENSIONS	STANDARD
4	Casing cover	EN 1.4301 (AISI 304)		
5-2	Intermediate casing	EN 1.4301 (AISI 304)		
5-3	Intermediate casing with bearing	EN 1.4301 (AISI 304)		
5-4	Discharge casing	EN 1.4301 (AISI 304)		
5-5	Top intermediate casing	EN 1.4301 (AISI 304)		
6	Bottom casing	Cast Iron EN GJL-250 EN 1561 Cast Iron EN GJS 400-15 EN 1563		
7	Outer casing	EN 1.4301 (AISI 304)		
12	Suction cover	EN 1.4301 (AISI 304)		
21	Impeller	EN 1.4301 (AISI 304)		
21-1	Reduced impeller	EN 1.4301 (AISI 304)		
31	Shaft	EN 1.4301 (AISI 304)		
32-1	Adjuster key	EN 1.4301 (AISI 304)		
39-1	Coupling key	Carbon Steel		
	above 37 kW			
43-1	Shaft sleeve (mechanical seal)	EN 1.4301 (AISI 304)		
43-2	Shaft sleeve (intermediate)	EN 1.4301 (AISI 304)		
43-3	Shaft sleeve (bearing)	EN 1.4301 (AISI 304)		
43-4	Shaft sleeve (adjustment)	EN 1.4301 (AISI 304)		
43-5	Shaft sleeve (last stage)	EN 1.4301 (AISI 304)		
43-6	Shaft sleeve (adjustment)	EN 1.4301 (AISI 304)		
44-1	Shaft sleeve bearing	Tungsten carbide		
44-2	Shaft sleeve (bearing)	Tungsten carbide		
46	Ring (mechanical seal)	EN 1.4404 (AISI 316L)		
47	Ring holder	EN 1.4301 (AISI 304)		
48	Impeller nut	EN 1.4301 (AISI 304) with inox insert		
51	Motor adapter	Cast Iron EN GJL250 EN 1561		
	above 37 kW			
52-1	Sleeve bearing	Tungsten carbide		
52-2	Bearing sleeve (bottom casing)	Tungsten carbide		
53	Bush holder	EN 1.4301 (AISI 304)		
56	Ball bearing	see table page 151		
	above 37 kW			
70-1	Ring for ball bearing	EN 1.4301 (AISI 304)		
	above 37 kW			
70-2	Ring for bearing sleeve	EN 1.4301 (AISI 304)		
75	O-Ring (priming plug)	EPDM / FPM	Ø12.37x2.62	OR 3050
75-1	O-Ring (drainage plug)	EPDM / FPM		
81	Bush	PTFE		
107	Liner ring	EN 1.4301 (AISI 304) + PPS		
111-1	Mechanical seal	see pages 6-7		
111-3	Mechanical seal seat	EN 1.4301 (AISI 304)		
111-4	Seal holder	EN 1.4404 (AISI 316L)		
111-5	Mechanical seal cartridge sleeve	EN 1.4301 (AISI 304)		
115-1	O-Ring (outer casing)	EPDM / FPM	Ø240.66x5.34	OR 6945
115-4	O-Ring (cartridge sleeve)	EPDM / FPM	Ø23.39x3.53	OR 4093
115-5	O-Ring (seal flange)	EPDM / FPM	Ø47.22x3.53	OR 4187
120-1	Tie rod	EN 1.4057 (AISI 431)		
120-2	Tie rod (stage)	EN 1.4301 (AISI 304)		
120-3	Screw (seal flange)	A2-70	M5x12	ISO 4762
120-5	Screw (extension coupling)	Galvanized steel 8.8 strength class ISO 898/1	M10x30	ISO 4017
	above 37 kW			

SECTIONAL TABLE EVMSG90

N°	PART NAME	MATERIAL EVMSG	DIMENSIONS	STANDARD	
120-6	Screw (pump coupling)	up to 7.5 kW	Galvanized steel 8.8 strength class ISO 898/1	M8x25	ISO 4762
		from 11 kW to 30 kW	Galvanized steel 8.8 strength class ISO 898/1	M10x30	ISO 4762
		above 37 kW	Galvanized steel 8.8 strength class ISO 898/1	M12x30	ISO 4762
120-7	Screw (ball bearing)	above 37 kW	Galvanized steel 8.8 strength class ISO 898/1	M6x10	ISO 4017
120-8	Screw (motor adapter)	above 37 kW	Galvanized steel 8.8 strength class ISO 898/1	M10x40	ISO 4017
120-9	Screw (bottom casing)		A2-70	M5x8	ISO 4017
120-12	Screw (shaft)		A2-70	M6x16	ISO 4762
120-13	Screw for motor	MEC 132	Galvanized steel 8.8 strength class ISO 898/1	M12x45	ISO 4017
		MEC 160-180	Galvanized steel 8.8 strength class ISO 898/1	M16x50	ISO 4017
		MEC 200-225	Galvanized steel 8.8 strength class ISO 898/1	M16x60	ISO 4014
128-1	Nut (tie rod)		A2-70	M16	ISO 4032
128-2	Nut (casing tie rod)		A2-70	M5	ISO 4032
128-3	Nut (motor)	MEC 132	Galvanized steel	M12	ISO 4032
		MEC 160-180-200-225	Galvanized steel	M16	ISO 4032
130-1	Set screw		EN 1.4301 (AISI 304)	M6x8	ISO 4026
130-2	Screw for coupling guard		A2-70	M5x6	UNI 7687
130-4	Set screw (pump coupling)	above 37 kW	Galvanized steel	M10x10	ISO 4026
131-1	Pin for shaft		Carbon Steel	Ø8X50	ISO 2338
135-1	Washer (tie rod)		EN 1.4301 (AISI 304)	Ø16	ISO 7089
135-2	Washer (casing tie rod)		EN 1.4301 (AISI 304)	Ø5,1	UNI 1751
135-3	Washer (extension coupling)	above 37 kW	Galvanized steel	Ø10,2	UNI 1751
135-4	Washer (ball bearing)	above 37 kW	Plated carbon steel	Ø6,1	UNI 1751
135-5	Washer (impeller nut)		EN 1.4301 (AISI 304)		
137-1	Impeller spacer		EN 1.4301 (AISI 304)		
137-2	Shaft spacer		EN 1.4301 (AISI 304)		
140	Coupling	up to 30 kW	Cast Iron EN GJL250 EN 1561		
140-1	Extension coupling	above 37 kW	Carbon Steel		
140-2	Coupling	above 37 kW	Carbon Steel		
150	Spacer (snap ring)	above 37 kW	Carbon Steel		
162	Motor bracket	up to 30 kW	Cast Iron EN GJS 400-15 EN 1563		
212	Priming plug		EN 1.4301 (AISI 304)		
212-1	Drainage plug		EN 1.4301 (AISI 304)		
212-2	Venting plug		EN 1.4401 (AISI 316)		
212-3	Priming plug		EN 1.4301 (AISI 304)		
245	Coupling guard		EN 1.4301 (AISI 304)		
273-1	Washer (drainage plug)		EN 1.4301 (AISI 304)		
274-2	C-type snap ring (coupling)	above 37 kW	Carbon Steel TC80	Ø75	UNI 7435

QUANTITY FOR MODEL
EVMSG90

Pump Type	N°																												
	4	5-2	5-3	5-4	5-5	6	7	12	21	21-1	31	32-1	39-1	43-1	43-2	43-3	43-4	43-5	43-6	44-1	44-2	46	47	48	51	52-1	52-2	53	
EVMSG90 1-1/5.5	1	/	/	1	1	1	1	1	/	1	1	1	/	1	1	/	/	1	1	/	1	1	1	1	/	/	1	1	
EVMSG90 1-0/7.5	1	/	/	1	1	1	1	1	1	/	1	1	/	1	1	/	/	1	1	/	1	1	1	1	1	/	/	1	1
EVMSG90 2-2/11	1	/	1	1	1	1	1	1	/	2	1	1	/	1	1	1	1	1	1	1	1	1	1	1	1	/	1	1	1
EVMSG90 2-0/15	1	/	1	1	1	1	1	1	2	/	1	1	/	1	1	1	1	1	1	1	1	1	1	1	1	/	1	1	1
EVMSG90 3-2/18.5	1	1	1	1	1	1	1	1	1	2	1	1	/	1	2	1	1	1	1	1	1	1	1	1	1	/	1	1	3
EVMSG90 3-0/22	1	1	1	1	1	1	1	1	3	/	1	1	/	1	2	1	1	1	1	1	1	1	1	1	1	/	1	1	3
EVMSG90 4-2/30	1	2	1	1	1	1	1	1	2	2	1	1	/	1	3	1	1	1	1	1	1	1	1	1	1	/	1	1	4
EVMSG90 4-0/30	1	2	1	1	1	1	1	1	4	/	1	1	/	1	3	1	1	1	1	1	1	1	1	1	1	/	1	1	4
EVMSG90 5-2/37	1	3	1	1	1	1	1	1	3	2	1	/	1	1	4	1	1	1	1	1	1	1	1	1	1	1	1	1	5
EVMSG90 5-0/37	1	3	1	1	1	1	1	1	5	/	1	/	1	1	4	1	1	1	1	1	1	1	1	1	1	1	1	1	5
EVMSG90 6-2/45	1	4	1	1	1	1	1	1	5	1	1	/	1	1	5	1	1	1	1	1	1	1	1	1	1	1	1	1	6
EVMSG90 6-0/45	1	4	1	1	1	1	1	1	6	/	1	/	1	1	5	1	1	1	1	1	1	1	1	1	1	1	1	1	6

Pump Type	N°																											
	56	70-1	70-2	75	75-1	81	107	111-1	111-3	111-4	111-5	115-1	115-4	115-5	120-1	120-2	120-3	120-5	120-6	120-7	120-8	120-9	120-12	120-13	128-1	128-2	128-3	130-1
EVMSG90 1-1/5.5	/	/	1	2	4	1	1	1	1	1	2	1	1	4	2	4	/	4	/	/	4	1	4	4	4	4	4	3
EVMSG90 1-0/7.5	/	/	1	2	4	1	1	1	1	1	2	1	1	4	2	4	/	4	/	/	4	1	4	4	4	4	4	3
EVMSG90 2-2/11	/	/	1	2	4	1	2	1	1	1	2	1	1	4	2	4	/	4	/	/	4	1	4	4	4	4	4	3
EVMSG90 2-0/15	/	/	1	2	4	1	2	1	1	1	2	1	1	4	2	4	/	4	/	/	4	1	4	4	4	4	4	3
EVMSG90 3-2/18.5	/	/	1	2	4	2	3	1	1	1	2	1	1	4	2	4	/	4	/	/	4	1	4	4	4	4	4	3
EVMSG90 3-0/22	/	/	1	2	4	2	3	1	1	1	2	1	1	4	2	4	/	4	/	/	4	1	4	4	4	4	4	3
EVMSG90 4-2/30	/	/	1	2	4	3	4	1	1	1	2	1	1	4	2	4	/	4	/	/	4	1	4	4	4	4	4	3
EVMSG90 4-0/30	/	/	1	2	4	3	4	1	1	1	2	1	1	4	2	4	/	4	/	/	4	1	4	4	4	4	4	3
EVMSG90 5-2/37	1	1	1	2	4	4	5	1	1	1	2	1	1	4	2	4	4	2	3	4	4	1	4	4	4	4	4	3
EVMSG90 5-0/37	1	1	1	2	4	4	5	1	1	1	2	1	1	4	2	4	4	2	3	4	4	1	4	4	4	4	4	3
EVMSG90 6-2/45	1	1	1	2	4	5	6	1	1	1	2	1	1	4	2	4	4	2	3	4	4	1	8	4	4	8	3	3
EVMSG90 6-0/45	1	1	1	2	4	5	6	1	1	1	2	1	1	4	2	4	4	2	3	4	4	1	8	4	4	8	3	3

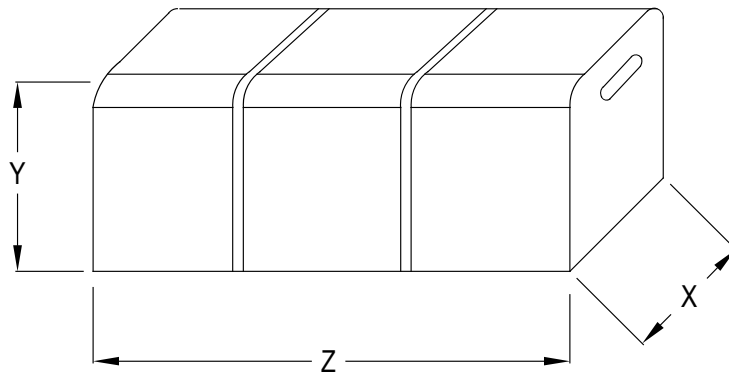
Pump Type	N°																					
	130-2	130-4	131-1	135-1	135-2	135-3	135-4	135-5	137-1	137-2	140	140-1	140-2	150	162	212	212-1	212-2	212-3	245	273-1	274-2
EVMSG90 1-1/5.5	4	/	1	4	2	/	/	1	1	1	2	/	/	/	1	1	4	1	1	2	4	/
EVMSG90 1-0/7.5	4	/	1	4	2	/	/	1	1	1	2	/	/	/	1	1	4	1	1	2	4	/
EVMSG90 2-2/11	4	/	1	4	2	/	/	1	1	1	2	/	/	/	1	1	4	1	1	2	4	/
EVMSG90 2-0/15	4	/	1	4	2	/	/	1	1	1	2	/	/	/	1	1	4	1	1	2	4	/
EVMSG90 3-2/18.5	4	/	1	4	2	/	/	1	1	1	2	/	/	/	1	1	4	1	1	2	4	/
EVMSG90 3-0/22	4	/	1	4	2	/	/	1	1	1	2	/	/	/	1	1	4	1	1	2	4	/
EVMSG90 4-2/30	4	/	1	4	2	/	/	1	1	1	2	/	/	/	1	1	4	1	1	2	4	/
EVMSG90 4-0/30	4	/	1	4	2	/	/	1	1	1	2	/	/	/	1	1	4	1	1	2	4	/
EVMSG90 5-2/37	4	1	1	4	2	4	3	1	1	1	/	1	1	1	1	4	1	1	2	4	1	
EVMSG90 5-0/37	4	1	1	4	2	4	3	1	1	1	/	1	1	1	1	4	1	1	2	4	1	
EVMSG90 6-2/45	4	1	1	4	2	4	3	1	1	1	/	1	1	1	1	4	1	1	2	4	1	
EVMSG90 6-0/45	4	1	1	4	2	4	3	1	1	1	/	1	1	1	1	4	1	1	2	4	1	

BEARINGS EVMSG90

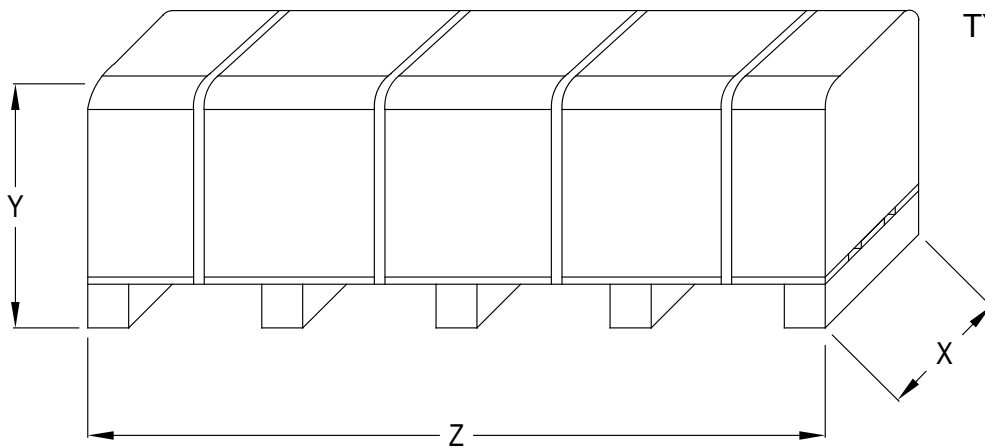
Pump Type	N° 56
EVMSG90 1-1/5.5	/
EVMSG90 1-0/7.5	/
EVMSG90 2-2/11	/
EVMSG90 2-0/15	/
EVMSG90 3-2/18.5	/
EVMSG90 3-0/22	/
EVMSG90 4-2/30	/
EVMSG90 4-0/30	/
EVMSG90 5-2/37	6315
EVMSG90 5-0/37	6315
EVMSG90 6-2/45	6315
EVMSG90 6-0/45	6315

PACKING DRAWING
EVMS(.)1-3-5-10-15-20-32-45-64-90

PACKING DRAWING

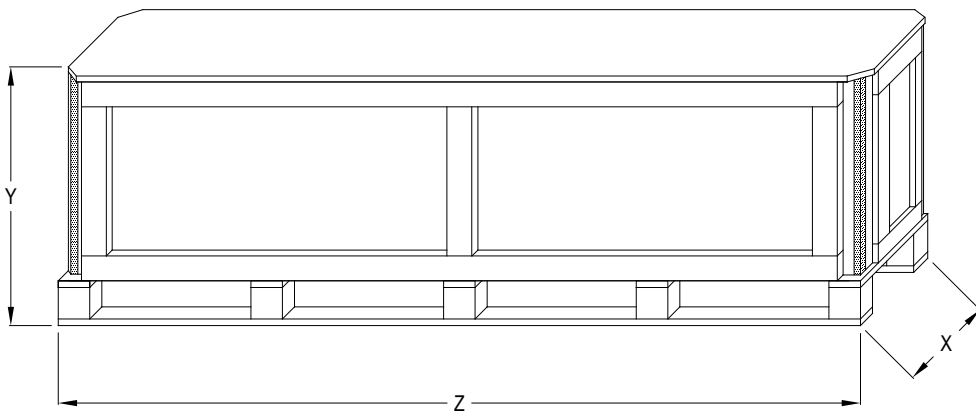
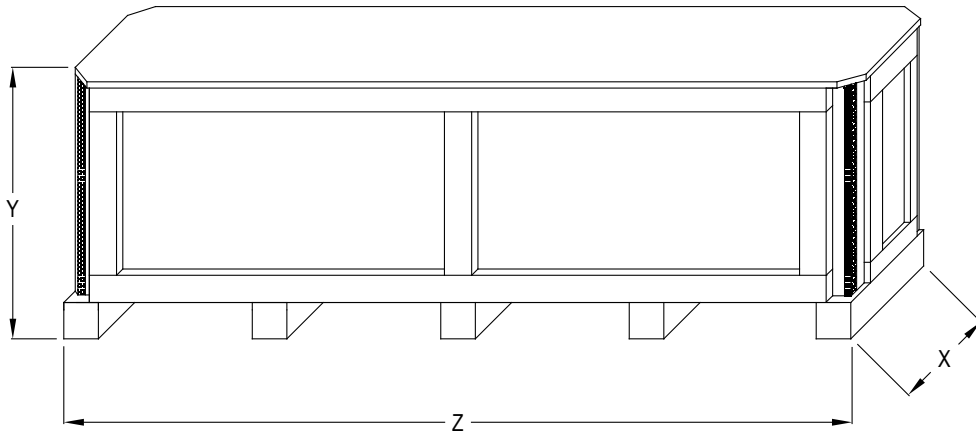


TYPE 1



TYPE 2

PACKING DRAWING EVMS(.)1-3-5-10-15-20-32-45-64-90



PACKING DATA
EVMS(.)1-3-5

Pump type	Pumps								Pumps with motor ~1					Pumps with motor ~3							
	Packing [mm]			Weight [kg] + Pack Type					Packing [mm]			Weight [kg] + Pack Type		Packing [mm]			Weight [kg] + Pack Type				
	X	Y	Z	EVMS(L)	EVMSG				X	Y	Z	EVMS(L)	EVMSG	X	Y	Z	EVMS(L)	EVMSG			
EVMS(.)1 2/0,37	385	400	385	12	1	20	1	385	400	585	22	1	29	1	385	400	585	20	1	27	1
EVMS(.)1 3/0,37	385	400	385	13	1	20	1	385	400	585	22	1	29	1	385	400	585	20	1	27	1
EVMS(.)1 4/0,37	385	400	385	13	1	20	1	385	400	770	23	1	30	1	385	400	770	21	1	28	1
EVMS(.)1 5/0,37	385	400	585	14	1	21	1	385	400	770	23	1	30	1	385	400	770	21	1	28	1
EVMS(.)1 6/0,37	385	400	585	15	1	22	1	385	400	770	24	1	32	1	385	400	770	22	1	30	1
EVMS(.)1 7/0,37	385	400	585	15	1	22	1	385	400	770	24	1	32	1	385	400	770	22	1	30	1
EVMS(.)1 8/0,37	385	400	585	16	1	23	1	385	400	770	25	1	33	1	385	400	770	23	1	31	1
EVMS(.)1 9/0,55	385	400	585	16	1	23	1	385	400	770	26	1	33	1	385	400	770	24	1	31	1
EVMS(.)1 10/0,55	385	400	585	16	1	23	1	385	400	770	26	1	33	1	385	400	770	24	1	31	1
EVMS(.)1 11/0,55	385	400	585	17	1	24	1	385	400	970	27	1	34	1	385	400	770	25	1	32	1
EVMS(.)1 12/0,55	385	400	585	17	1	25	1	385	400	770	27	1	34	1	385	400	970	25	1	32	1
EVMS(.)1 13/0,55	385	400	585	18	1	25	1	385	400	970	28	1	35	1	385	400	970	26	1	33	1
EVMS(.)1 14/0,75	385	400	770	19	1	26	1	400	430	1000	39	2	42	2	400	430	1000	37	2	40	2
EVMS(.)1 16/0,75	385	400	770	20	1	27	1	400	430	1000	43	2	50	2	400	430	1000	41	2	48	2
EVMS(.)1 18/1,1	385	400	770	21	1	28	1	400	430	1000	43	2	51	2	400	430	1000	42	2	50	2
EVMS(.)1 20/1,1	385	400	770	22	1	29	1	400	430	1000	44	2	51	2	400	430	1000	43	2	50	2
EVMS(.)1 22/1,1	385	400	770	24	1	31	1	400	430	1200	47	2	54	2	400	430	1200	46	2	53	2
EVMS(.)1 24/1,1	385	400	970	25	1	32	1	400	430	1200	48	2	55	2	400	430	1200	47	2	54	2
EVMS(.)1 26/1,1	385	400	970	26	1	33	1	400	430	1200	49	2	56	2	400	430	1200	48	2	55	2
EVMS(.)1 27/1,5	385	400	970	26	1	33	1	400	430	1200	54	2	61	2	400	430	1200	54	2	61	2
EVMS(.)1 29/1,5	385	400	970	27	1	34	1	500	430	1350	60	2	68	2	500	430	1350	60	2	68	2
EVMS(.)1 32/1,5	400	430	1000	37	2	44	2	500	430	1350	61	2	68	2	500	430	1350	61	2	68	2
EVMS(.)1 34/1,5	400	430	1200	40	2	46	2	500	430	1350	62	2	70	2	500	430	1350	62	2	70	2
EVMS(.)1 37/2,2	400	430	1200	41	2	48	2	500	430	1540	82	2	89	2	500	430	1540	78	2	85	2
EVMS(.)1 39/2,2	400	430	1200	42	2	50	2	500	430	1540	84	2	90	2	500	430	1540	80	2	86	2
EVMS(.)3 2/0,37	385	400	385	12	1	18	1	385	400	585	22	1	27	1	385	400	585	20	1	25	1
EVMS(.)3 3/0,37	385	400	385	13	1	18	1	385	400	585	22	1	27	1	385	400	585	20	1	25	1
EVMS(.)3 4/0,37	385	400	385	13	1	18	1	385	400	770	23	1	28	1	385	400	770	21	1	26	1
EVMS(.)3 5/0,55	385	400	585	14	1	20	1	385	400	770	24	1	29	1	385	400	770	22	1	27	1
EVMS(.)3 6/0,55	385	400	585	15	1	20	1	385	400	770	24	1	30	1	385	400	770	22	1	28	1
EVMS(.)3 7/0,75	385	400	585	16	1	21	1	385	400	770	28	1	33	1	385	400	770	26	1	31	1
EVMS(.)3 8/0,75	385	400	585	16	1	21	1	385	400	770	29	1	34	1	385	400	770	27	1	32	1
EVMS(.)3 9/1,1	385	400	585	17	1	22	1	385	400	770	29	1	34	1	385	400	770	28	1	33	1
EVMS(.)3 10/1,1	385	400	585	17	1	22	1	385	400	770	31	1	35	1	385	400	770	30	1	34	1
EVMS(.)3 11/1,1	385	400	585	17	1	23	1	385	400	970	31	1	35	1	385	400	970	30	1	34	1
EVMS(.)3 12/1,1	385	400	585	18	1	23	1	385	400	970	31	1	36	1	385	400	970	30	1	35	1
EVMS(.)3 13/1,5	385	400	770	19	1	24	1	400	430	1000	46	2	52	2	400	430	1000	46	2	52	2
EVMS(.)3 14/1,5	385	400	770	20	1	25	1	400	430	1000	47	2	52	2	400	430	1000	47	2	52	2
EVMS(.)3 15/1,5	385	400	770	20	1	25	1	400	430	1000	48	2	52	2	400	430	1000	48	2	52	2
EVMS(.)3 16/1,5	385	400	770	21	1	26	1	400	430	1000	50	2	53	2	400	430	1000	49	2	53	2
EVMS(.)3 17/2,2	385	400	770	22	1	27	1	400	430	1000	54	2	59	2	400	430	1000	50	2	55	2
EVMS(.)3 19/2,2	385	400	770	22	1	28	1	400	430	1200	56	2	61	2	400	430	1200	52	2	57	2
EVMS(.)3 21/2,2	385	400	770	23	1	30	1	400	430	1200	57	2	62	2	400	430	1200	53	2	58	2
EVMS(.)3 23/2,2	385	400	970	25	1	30	1	400	430	1200	58	2	64	2	400	430	1200	54	2	60	2
EVMS(.)3 24/2,2	385	400	970	25	1	31	1	400	430	1200	59	2	64	2	400	430	1200	55	2	60	2
EVMS(.)3 25/3,0	385	400	970	26	1	31	1	-	-	-	-	-	-	-	400	430	1200	57	2	63	2
EVMS(.)3 27/3,0	385	400	970	27	1	32	1	-	-	-	-	-	-	-	500	430	1350	63	2	70	2
EVMS(.)3 29/3,0	385	400	970	28	1	33	1	-	-	-	-	-	-	-	500	430	1350	64	2	70	2
EVMS(.)3 31/3,0	400	430	1000	37	2	43	2	-	-	-	-	-	-	-	500	430	1350	65	2	71	2
EVMS(.)3 33/3,0	400	430	1200	40	2	44	2	-	-	-	-	-	-	-	500	430	1350	66	2	71	2
EVMS(.)5 2/0,37	385	400	385	13	1	20	1	385	400	585	22	1	30	1	385	400	585	21	1	28	1
EVMS(.)5 3/0,55	385	400	385	14	1	20	1	385	400	770	25	1	32	1	385	400	770	23	1	30	1
EVMS(.)5 4/0,75	385	400	585	15	1	21	1	385	400	770	29	1	35	1	385	400	770	27	1	33	1
EVMS(.)5 5/1,1	385	400	585	16	1	22	1	385	400	770	29	1	35	1	385	400	770	28	1	34	1
EVMS(.)5 6/1,5	385	400	585	17	1	23	1	400	430	1000	44	2	50	2	400	430	1000	44	2	50	2
EVMS(.)5 7/1,5	385	400	585	17	1	23	1	400	430	1000	45	2	50	2	400	430	1000	45	2	50	2
EVMS(.)5 8/2,2	385	400	585	18	1	24	1	400	430	1000	50	2	57	2	400	430	1000	46	2	53	2
EVMS(.)5 9/2,2	385	400	585	18	1	24	1	400	430	1000	50	2	57	2	400	430	1000	47	2	53	2
EVMS(.)5 10/2,2	385	400	770	19	1	25	1	400	430	1000	52	2	58	2	400	430	1000	48	2	54	2
EVMS(.)5 11/2,2	385	400	770	19	1	26	1	400	430	1000	52	2	58	2	400	430	1000	50	2	54	2
EVMS(.)5 12/3,0	385	400	770	21	1	27	1	-	-	-	-	-	-	-	400	430	1200	52	2	60	2
EVMS(.)5 13/3,0	385	400	770	21	1	28	1	-	-	-	-	-	-	-	400	430	1200	53	2	60	2
EVMS(.)5 14/3,0	385	400	770	22	1	28	1	-	-	-	-	-	-	-	400	430	1200	54	2	60	2
EVMS(.)5 15/3,0	385	400	770	23	1	30	1	-	-	-	-	-	-	-	400	430	1200	55	2	61	2
EVMS(.)5 17/4,0	385	400	970	24	1	30	1	-	-	-	-	-	-	-	400	430	1200	61	2	70	2
EVMS(.)5 19/4,0	385	400	970	25	1	31	1	-	-	-	-	-	-	-	500	430	1350	68	2	75	2
EVMS(.)5 20/4,0	385	400	970	27	1	34	1	-	-	-	-	-	-	-	500	430	1350	70	2	78	2
EVMS(.)5 23/5,5	400	430	1200	44	2	50	2	-	-	-	-	-	-	-	500	430	1540	101	2	107	2
EVMS(.)5 25/5,5	400	430	1200	45	2	51	2	-	-	-	-	-	-	-	500	430	1540	102	2	108	2
EVMS(.)5 27/5,5	400	430	1200	46	2	53	2	-	-	-	-	-	-	-	610	430	1750	103	2	113	2

PACKING DATA EVMS(.)10-15-20

Pump type	Pumps						Pumps with motor ~1						Pumps with motor ~3									
	Packing [mm]			Weight [kg] + Pack Type			Packing [mm]			Weight [kg] + Pack Type			Packing [mm]			Weight [kg] + Pack Type						
	X	Y	Z	EVMS(L)	EVMSG		X	Y	Z	EVMS(L)	EVMSG		X	Y	Z	EVMS(L)	EVMSG					
10	EVMS(.)10 2/0,75	385	400	585	21	1	27	1	400	430	800	43	2	50	2	400	430	800	41	2	48	2
	EVMS(.)10 3/1,5	385	400	585	22	1	28	1	400	430	800	48	2	55	2	400	430	800	48	2	55	2
	EVMS(.)10 4/2,2	385	400	585	22	1	30	1	400	430	800	52	2	62	2	400	430	800	51	2	58	2
	EVMS(.)10 5/2,2	385	400	585	23	1	30	1	400	430	1000	54	2	62	2	400	430	1000	52	2	58	2
	EVMS(.)10 6/2,2	385	400	585	24	1	31	1	400	430	1000	54	2	64	2	400	430	1000	53	2	60	2
	EVMS(.)10 7/3,0	385	400	585	25	1	33	1	-	-	-	-	-	-	-	400	430	1000	56	2	63	2
	EVMS(.)10 8/3,0	385	400	770	25	1	33	1	-	-	-	-	-	-	-	400	430	1000	57	2	64	2
	EVMS(.)10 9/4,0	385	400	770	27	1	34	1	-	-	-	-	-	-	-	400	430	1000	64	2	72	2
	EVMS(.)10 10/4,0	400	430	700	27	2	34	2	-	-	-	-	-	-	-	400	430	1200	65	2	73	2
	EVMS(.)10 11/4,0	400	430	800	38	2	45	2	-	-	-	-	-	-	-	400	430	1200	67	2	74	2
	EVMS(.)10 12/5,5	400	430	1000	48	2	55	2	-	-	-	-	-	-	-	500	430	1350	93	2	100	2
	EVMS(.)10 14/5,5	400	430	1000	50	2	57	2	-	-	-	-	-	-	-	500	430	1350	95	2	102	2
	EVMS(.)10 15/5,5	400	430	1000	52	2	57	2	-	-	-	-	-	-	-	500	430	1350	96	2	103	2
	EVMS(.)10 16/7,5	400	430	1000	52	2	58	2	-	-	-	-	-	-	-	500	430	1540	117	2	123	2
	EVMS(.)10 18/7,5	400	430	1200	54	2	61	2	-	-	-	-	-	-	-	500	430	1540	118	2	125	2
	EVMS(.)10 19/7,5	400	430	1200	55	2	62	2	-	-	-	-	-	-	-	500	430	1540	120	2	126	2
	EVMS(.)10 21/7,5	400	430	1200	57	2	64	2	-	-	-	-	-	-	-	500	430	1540	121	2	128	2
EVMS(.)10 22/11	400	430	1200	60	2	66	2	-	-	-	-	-	-	-	610	430	1750	140	2	150	2	
EVMS(.)10 23/11	400	430	1200	66	2	73	2	-	-	-	-	-	-	-	610	430	1750	147	2	156	2	
15	EVMS(.)15 1/1,1	385	400	585	23	1	30	1	385	400	770	44	1	53	1	400	430	800	43	2	52	2
	EVMS(.)15 2/2,2	385	400	585	24	1	31	1	385	400	770	55	1	64	1	400	430	800	51	2	60	2
	EVMS(.)15 3/3,0	385	400	585	25	1	32	1	-	-	-	-	-	-	-	400	430	1000	54	2	63	2
	EVMS(.)15 4/4,0	385	400	585	26	1	33	1	-	-	-	-	-	-	-	400	430	1000	62	2	70	2
	EVMS(.)15 5/5,5	400	430	800	43	2	52	2	-	-	-	-	-	-	-	400	430	1200	82	2	91	2
	EVMS(.)15 6/5,5	400	430	800	45	2	53	2	-	-	-	-	-	-	-	400	430	1200	84	2	93	2
	EVMS(.)15 7/7,5	400	430	800	47	2	55	2	-	-	-	-	-	-	-	400	430	1200	93	2	103	2
	EVMS(.)15 8/7,5	400	430	1000	48	2	56	2	-	-	-	-	-	-	-	400	430	1200	95	2	103	2
	EVMS(.)15 9/11	400	430	1000	50	2	58	2	-	-	-	-	-	-	-	500	430	1540	131	2	140	2
	EVMS(.)15 10/11	400	430	1000	52	2	60	2	-	-	-	-	-	-	-	500	430	1540	131	2	140	2
	EVMS(.)15 11/11	400	430	1000	60	2	67	2	-	-	-	-	-	-	-	500	430	1540	140	2	148	2
	EVMS(.)15 12/11	400	430	1000	60	2	68	2	-	-	-	-	-	-	-	500	430	1540	141	2	150	2
	EVMS(.)15 13/11	400	430	1200	62	2	70	2	-	-	-	-	-	-	-	500	430	1540	143	2	151	2
	EVMS(.)15 15/15	400	430	1200	65	2	73	2	-	-	-	-	-	-	-	610	430	1750	174	2	183	2
	EVMS(.)15 17/15	400	430	1200	68	2	76	2	-	-	-	-	-	-	-	610	430	1750	177	2	185	2
20	EVMS(.)20 1/1,5	385	400	585	23	1	30	1	385	400	770	50	1	57	1	400	430	800	50	2	57	2
	EVMS(.)20 2/3,0	385	400	585	24	1	31	1	-	-	-	-	-	-	-	400	430	1000	53	2	62	2
	EVMS(.)20 3/4,0	385	400	585	25	1	33	1	-	-	-	-	-	-	-	400	430	1000	62	2	70	2
	EVMS(.)20 4/5,5	400	430	800	38	2	47	2	-	-	-	-	-	-	-	400	430	1200	78	2	87	2
	EVMS(.)20 5/7,5	400	430	800	40	2	48	2	-	-	-	-	-	-	-	400	430	1200	86	2	95	2
	EVMS(.)20 6/7,5	400	430	800	42	2	50	2	-	-	-	-	-	-	-	400	430	1200	87	2	96	2
	EVMS(.)20 7/11	400	430	1000	43	2	52	2	-	-	-	-	-	-	-	500	430	1540	125	2	133	2
	EVMS(.)20 8/11	400	430	1000	55	2	63	2	-	-	-	-	-	-	-	500	430	1540	137	2	145	2
	EVMS(.)20 9/11	400	430	1000	56	2	65	2	-	-	-	-	-	-	-	500	430	1540	138	2	146	2
	EVMS(.)20 10/11	400	430	1000	58	2	66	2	-	-	-	-	-	-	-	500	430	1540	140	2	148	2
	EVMS(.)20 11/15	400	430	1000	60	2	67	2	-	-	-	-	-	-	-	500	430	1540	167	2	175	2
	EVMS(.)20 12/15	400	430	1000	60	2	70	2	-	-	-	-	-	-	-	500	430	1540	168	2	177	2
	EVMS(.)20 13/15	400	430	1200	63	2	71	2	-	-	-	-	-	-	-	500	430	1540	170	2	178	2
	EVMS(.)20 14/18,5	400	430	1200	64	2	73	2	-	-	-	-	-	-	-	610	430	1750	188	2	196	2
	EVMS(.)20 15/18,5	400	430	1200	65	2	74	2	-	-	-	-	-	-	-	610	430	1750	190	2	198	2
EVMS(.)20 16/18,5	400	430	1200	67	2	75	2	-	-	-	-	-	-	-	610	430	1750	191	2	200	2	

PACKING DATA
EVMS(.)32-45

Pump type	Pumps								Pumps with motor ~3							
	Packing [mm]			Weight [kg] + Pack Type					Packing [mm]			Weight [kg] + Pack Type				
	X	Y	Z	EVMS(L)		EVMSG			X	Y	Z	EVMS(L)		EVMSG		
32	EVMS(.)32 1-1/1,5	420	512	800	55,1	2	51,8	2	500	612	1000	71,3	2	68,0	2	
	EVMS(.)32 1-0/2,2	420	512	800	55,1	2	51,8	2	500	612	1000	72,8	2	69,5	2	
	EVMS(.)32 2-2/3,0	420	512	800	58,4	2	55,1	2	500	612	1000	83,1	2	79,8	2	
	EVMS(.)32 2-0/4,0	420	512	800	58,4	2	55,1	2	500	612	1000	89,6	2	86,3	2	
	EVMS(.)32 3-2/5,5	420	512	800	72,3	2	68,9	2	500	612	1200	115,7	2	112,3	2	
	EVMS(.)32 3-0/5,5	420	512	800	72,3	2	68,9	2	500	612	1200	115,7	2	112,3	2	
	EVMS(.)32 4-2/7,5	500	612	1000	78,2	2	74,9	2	500	612	1350	136,8	2	133,5	2	
	EVMS(.)32 4-0/7,5	500	612	1000	78,2	2	74,9	2	500	612	1350	136,8	2	133,5	2	
	EVMS(.)32 5-2/11	500	612	1000	88,2	2	84,9	2	500	617	1540	162,7	2	159,4	2	
	EVMS(.)32 5-0/11	500	612	1000	88,2	2	84,9	2	500	617	1540	162,7	2	159,4	2	
	EVMS(.)32 6-2/11	500	612	1200	93,2	2	89,9	2	500	617	1540	166,0	2	162,7	2	
	EVMS(.)32 6-0/11	500	612	1200	93,2	2	89,9	2	500	617	1540	166,0	2	162,7	2	
	EVMS(.)32 7-2/15	500	612	1200	96,5	2	93,1	2	610	617	1750	209,6	2	206,2	2	
	EVMS(.)32 7-0/15	500	612	1200	96,5	2	93,1	2	610	617	1750	209,6	2	206,2	2	
	EVMS(.)32 8-2/15	500	612	1200	101,3	2	98,0	2	610	617	1750	214,4	2	211,1	2	
	EVMS(.)32 8-0/15	500	612	1200	101,3	2	98,0	2	610	617	1750	214,4	2	211,1	2	
	EVMS(.)32 9-2/15	500	612	1350	115,7	2	112,4	2	610	617	1750	217,9	2	214,6	2	
	EVMS(.)32 9-1/15	500	612	1350	115,7	2	112,4	2	610	617	1750	217,9	2	214,6	2	
	EVMS(.)32 10-2/18,5	500	612	1350	119,1	2	115,8	2	720	715	1970	274,3	3	271,0	3	
	EVMS(.)32 10-0/18,5	500	612	1350	119,1	2	115,8	2	720	715	1970	274,3	3	271,0	3	
EVMS(.)32 11-2/18,5	500	617	1540	122,0	2	118,7	2	720	715	1970	277,8	3	274,5	3		
EVMS(.)32 11-1/18,5	500	617	1540	122,0	2	118,7	2	720	715	1970	277,8	3	274,5	3		
EVMS(.)32 12-2/22	500	617	1540	128,0	2	124,7	2	720	715	2170	315,8	3	312,5	3		
EVMS(.)32 12-0/22	500	617	1540	128,0	2	124,7	2	720	715	2170	315,8	3	312,5	3		
EVMS(.)32 13-2/22	500	617	1540	131,8	2	128,4	2	720	715	2170	319,6	3	316,2	3		
EVMS(.)32 13-0/22	500	617	1540	131,8	2	128,4	2	720	715	2170	319,6	3	316,2	3		
EVMS(.)32 14-2/30	610	617	1750	142,5	2	139,2	2	800	750	2420	371,5	4	368,2	4		
EVMS(.)32 14-0/30	610	617	1750	142,5	2	139,2	2	800	750	2420	371,5	4	368,2	4		
45	EVMS(.)45 1-1/3,0	420	512	800	68,9	2	66,7	2	500	612	1000	93,6	2	91,4	2	
	EVMS(.)45 1-0/4,0	420	512	800	68,9	2	66,7	2	500	612	1000	100,1	2	97,9	2	
	EVMS(.)45 2-2/5,5	420	512	800	84,2	2	82,1	2	500	612	1200	127,6	2	125,5	2	
	EVMS(.)45 2-0/7,5	420	512	800	84,2	2	82,1	2	500	612	1350	134,6	2	132,5	2	
	EVMS(.)45 3-2/11	500	612	1000	99,1	2	96,9	2	500	612	1350	174,2	2	172,0	2	
	EVMS(.)45 3-0/11	500	612	1000	99,1	2	96,9	2	500	612	1350	174,2	2	172,0	2	
	EVMS(.)45 4-2/15	500	612	1000	105,6	2	103,5	2	500	617	1540	218,6	2	216,5	2	
	EVMS(.)45 4-0/15	500	612	1000	105,6	2	103,5	2	500	617	1540	218,6	2	216,5	2	
	EVMS(.)45 5-2/18,5	500	612	1200	112,6	2	110,4	2	500	617	1540	231,9	2	229,7	2	
	EVMS(.)45 5-0/18,5	500	612	1200	112,6	2	110,5	2	500	617	1540	231,9	2	229,8	2	
	EVMS(.)45 6-2/22	500	612	1200	118,0	2	115,9	2	610	617	1750	265,1	2	263,0	2	
	EVMS(.)45 6-0/22	500	612	1200	118,0	2	115,9	2	610	617	1750	265,1	2	263,0	2	
	EVMS(.)45 7-2/30	500	612	1200	128,6	2	126,5	2	610	617	1750	308,7	2	306,6	2	
	EVMS(.)45 7-0/30	500	612	1200	128,6	2	126,5	2	610	617	1750	308,7	2	306,6	2	
	EVMS(.)45 8-2/30	500	612	1350	144,8	2	142,7	2	720	715	1970	359,0	3	356,9	3	
	EVMS(.)45 8-0/30	500	612	1350	144,8	2	142,7	2	720	715	1970	359,0	3	356,9	3	
	EVMS(.)45 9-2/30	500	612	1350	150,3	2	148,2	2	720	715	1970	364,5	3	362,4	3	
	EVMS(.)45 9-0/37	500	612	1350	161,8	2	159,6	2	720	715	2170	474,0	3	471,8	3	
	EVMS(.)45 10-2/37	500	617	1540	166,4	2	164,3	2	720	715	2170	479,2	3	477,1	3	
	EVMS(.)45 10-0/37	500	617	1540	166,4	2	164,3	2	720	715	2170	479,2	3	477,1	3	
EVMS(.)45 11-2/45	500	617	1540	177,3	2	175,1	2	800	750	2420	614,1	4	611,9	4		
EVMS(.)45 11-0/45	500	617	1540	177,3	2	175,1	2	800	750	2420	614,1	4	611,9	4		
EVMS(.)45 12-2/45	500	617	1540	182,6	2	180,4	2	800	750	2420	619,4	4	617,2	4		
EVMS(.)45 12-0/45	500	617	1540	182,6	2	180,4	2	800	750	2420	619,4	4	617,2	4		
EVMS(.)45 13-2/45	610	617	1750	189,7	2	187,5	2	800	750	2420	624,7	4	622,5	4		

PACKING DATA

PACKING DATA EVMS(.)64-90

Pump type	Pumps						Pumps with motor ~3								
	Packing [mm]			Weight [kg] + Pack Type			Packing [mm]			Weight [kg] + Pack Type					
	X	Y	Z	EVMS(L)	EVMSG		X	Y	Z	EVMS(L)	EVMSG				
64	EVMS(.)64 1-1/4,0	420	512	800	74,3	2	71,3	2	500	612	1000	105,5	2	102,5	2
	EVMS(.)64 1-0/5,5	420	512	800	84,1	2	81,1	2	500	612	1200	127,5	2	124,5	2
	EVMS(.)64 2-2/7,5	420	612	1000	91,9	2	88,9	2	500	612	1350	150,5	2	147,5	2
	EVMS(.)64 2-1/11	500	612	1000	99,2	2	96,2	2	500	612	1350	174,3	2	171,3	2
	EVMS(.)64 2-0/15	500	612	1000	99,2	2	96,2	2	500	612	1350	212,8	2	209,8	2
	EVMS(.)64 3-2/15	500	612	1000	104,3	2	101,3	2	500	617	1540	217,3	2	214,3	2
	EVMS(.)64 3-1/15	500	612	1000	104,3	2	101,3	2	500	617	1540	217,3	2	214,3	2
	EVMS(.)64 3-0/18,5	500	612	1000	104,3	2	101,3	2	500	617	1540	225,3	2	222,3	2
	EVMS(.)64 4-2/18,5	500	612	1000	109,4	2	106,4	2	500	617	1540	230,4	2	227,4	2
	EVMS(.)64 4-1/22	500	612	1000	109,6	2	106,6	2	500	617	1540	256,6	2	253,6	2
	EVMS(.)64 4-0/22	500	612	1000	109,6	2	106,6	2	500	617	1540	256,6	2	253,6	2
	EVMS(.)64 5-2/30	500	612	1200	121,8	2	118,8	2	610	617	1750	301,9	2	298,9	2
	EVMS(.)64 5-1/30	500	612	1200	121,8	2	118,8	2	610	617	1750	301,9	2	298,9	2
	EVMS(.)64 5-0/30	500	612	1200	121,8	2	118,8	2	610	617	1750	301,9	2	298,9	2
	EVMS(.)64 6-2/30	500	612	1200	132,1	2	130,4	2	610	617	1750	312,2	2	310,5	2
	EVMS(.)64 6-1/37	500	612	1200	144,1	2	142,5	2	720	715	1970	461,2	3	459,6	3
	EVMS(.)64 6-0/37	500	612	1200	144,1	2	142,5	2	720	715	1970	461,2	3	459,6	3
	EVMS(.)64 7-2/37	500	612	1200	149,5	2	147,8	2	720	715	1970	466,6	3	464,9	3
	EVMS(.)64 7-1/37	500	612	1200	149,5	2	147,8	2	720	715	1970	466,6	3	464,9	3
	EVMS(.)64 7-0/45	500	612	1200	155,1	2	153,4	2	720	715	2170	592,2	3	590,5	3
EVMS(.)64 8-2/45	500	612	1350	171,7	2	170,1	2	720	715	2170	597,9	3	596,3	3	
EVMS(.)64 8-1/45	500	612	1350	171,2	2	169,6	2	720	715	2170	597,4	3	595,8	3	
EVMS(.)64 8-0/45	500	612	1350	171,2	2	169,6	2	720	715	2170	597,4	3	595,8	3	
90	EVMS(.)90 1-1/5,5	420	512	800	84,4	2	81,4	2	500	612	1350	138,7	2	135,7	2
	EVMS(.)90 1-0/7,5	420	512	800	84,4	2	81,4	2	500	612	1350	145,7	2	142,7	2
	EVMS(.)90 2-2/11	500	612	1000	99,4	2	96,4	2	500	612	1350	174,5	2	171,5	2
	EVMS(.)90 2-0/15	500	612	1000	99,4	2	96,4	2	500	612	1350	213,0	2	210,0	2
	EVMS(.)90 3-2/18,5	500	612	1000	105,0	2	102,0	2	500	617	1540	226,0	2	223,0	2
	EVMS(.)90 3-0/22	500	612	1000	104,8	2	101,8	2	500	617	1540	251,8	2	248,8	2
	EVMS(.)90 4-2/30	500	612	1200	117,0	2	114,0	2	610	617	1750	297,1	2	294,1	2
	EVMS(.)90 4-0/30	500	612	1200	117,1	2	114,0	2	610	617	1750	297,2	2	294,1	2
	EVMS(.)90 5-2/37	500	612	1200	140,7	2	137,7	2	720	715	1970	457,8	3	454,8	3
	EVMS(.)90 5-0/37	500	612	1200	139,5	2	137,9	2	720	715	1970	456,6	3	455,0	3
	EVMS(.)90 6-2/45	500	612	1350	161,5	2	159,8	2	720	715	2170	587,7	3	586,0	3
	EVMS(.)90 6-0/45	500	612	1350	161,5	2	159,8	2	720	715	2170	587,7	3	586,0	3

GENERAL

Various regulatory authorities in many countries have introduced or are planning legislation to encourage the manufacture and use of higher efficiency motors, as part of a concerted effort worldwide to reduce energy consumption. Indeed, the International Electrotechnical Commission (IEC) has introduced a new standards relating to energy efficient motors. **IEC 60034-30** defines new efficiency classes for motors and harmonizes the currently different requirements for induction motor efficiency levels around the world.

The **Commission Regulation (EC) N. 640/2009** implementing EcoDesign Directive 2009/125/EC states that in the European Community, with the exception of some special applications, motors shall not be less efficient than the IE3 efficiency level as from 1 January 2015.

In detail:

IE3 by January 1, 2015 (for motors from 7.5 kW to 375 kW).

IE3 for all motors by January 1, 2017 (for motors from 0.75 kW to 375 kW).

		MOTOR	
Power Source	Frequency	50 Hz	
	Phase	Single Phase	Three Phase
	Power rating	0.37 ÷ 2.2 kW 0.5 ÷ 3.0 HP	0.37 ÷ 45 kW 0.5 ÷ 60 HP
	Voltage	230 ± 10% V	230/400 ± 10% V (up to 4.0 kW) 400/690 ± 10% V (above 5.5 kW)
Type	Type	IC411 - TEFC	
	Efficiency Level	IE2 from 0.37 kW up to 2.2 kW	IE2 : from 0.37 kW up to 0.55 kW IE3 : above 0.75 kW
	No° of poles	2	
	Protection degree	IP55 : up to 11 kW IP56 : above 15 kW	
	Insulation Class	F (temperature rise class B)	
Others	Thermal Protection	-	PTC sensor pre-installed for motors of 1.5 kW and above
	Casing Material	Aluminium	Aluminium : up to 30 kW Cast Iron : above 37 kW
	Flange mount (IEC motor)	IM B14 : up to 4.0 kW IM B5 : above 5.5 kW	
	Terminal Box fixing	-	Unlosable screw and sealing from 0.75 kW to 45 kW

NOISE DATA

Motor Size	Power		Noise LpA - dB(A) *
	[kW]	[HP]	
71	0.37	0.5	52
	0.55	0.75	
80	0.75	1	52
	1.1	1.5	
90	1.5	2	60
	2.2	3	
100	3.0	4	62
112	4.0	5.5	66
132	5.5	7.5	68
	7.5	10	
160	11	15	73
	15	20	72
	18.5	25	70
180	22	30	70
200	30	40	70
	37	50	73
225	45	60	75

* Noise values were measured with a tolerance of ± 2.5 dB (A).

TECHNICAL MOTOR DATA EVMS 1-3-5-10-15-20-32-45-64-90

Single Phase Motor at 50Hz, 2 poles

(only for EVMS(.)1-3-5-10-15-20)

Motor Size	Power		Efficiency [IE2 / IE3]	Capacitor		Load efficiency and power-factor				Input [kW]	Full load current [A]		Locked rotor current [A]	
	[kW]	[HP]		[μF]	[V]	η %			cos-φ		230 V		230 V	
71	0,37	0,5	IE2	10	450	61,2	69,4	72,7	0,92	0,51	2,4		8,9	
	0,55	0,75	IE2	20	450	62,4	71,3	75,2	0,98	0,73	3,2		13,9	
80	0,75	1	IE2	31,5	450	69,1	77,5	79,2	0,98	0,94	4,3		24,1	
	1,1	1,5	IE2	36	450	72,5	78,5	79,7	0,96	1,39	6,4		25,0	
90 S •	1,5	2	IE2	50	450	72,4	79,2	81,4	0,96	1,94	8,7		54,0	
90 L •	2,2	3	IE2	55	450	76,5	81,5	83,8	0,95	2,72	12,3		73,0	

- Single phase motors manufactured by EBARA

Three Phase Motor at 50Hz, 2 poles

Motor Size	Power		Efficiency	Load efficiency and power-factor (400V)				Input [kW]	Full load current [A]			Locked rotor current [A]		
	[kW]	[HP]		η %			cos-φ		230 V	400V	690V	230 V	400V	690V
	50%	75%		100%	100%									
71	0.37	0.5	IE2	63.0	70.0	74.0	0.8	0.50	1.94	1.12	-	10.7	6.2	-
71	0.55	0.75	IE2	75.7	78.1	77.4	0.8	0.71	2.16	1.25	-	11.9	6.9	-
80 ♦	0.75	1	IE3	80.2	82.5	82.1	0.8	0.91	3.0	1.7	-	19.7	11.4	-
	1.1	1.5	IE3	81.3	82.8	82.7	0.8	1.33	4.3	2.5	-	28.8	16.6	-
90 ♦	1.5	2	IE3	83.5	84.3	84.6	0.8	1.77	5.8	3.3	-	44.1	25.5	-
	2.2	3	IE3	85.7	86.8	86.0	0.8	2.56	8.2	4.7	-	63.3	36.6	-
100 ♦	3.0	4	IE3	85.9	87.5	87.1	0.8	3.44	11.1	6.4	-	89.8	51.8	-
112 ♦	4.0	5.5	IE3	86.0	88.3	88.1	0.8	4.54	15.1	8.7	-	131.8	76.1	-
132 ♦	5.5	7.5	IE3	88.9	90.3	90.0	0.9	6.11	-	10.4	6.0	-	115.3	66.6
	7.5	10	IE3	89.0	90.7	90.4	0.9	8.30	-	13.6	7.9	-	144	83.1
160 ♦	11	15	IE3	90.1	91.4	91.2	0.8	12.06	-	21.3	12.3	-	184	106.2
160	15	20	IE3	91.5	92.0	91.9	0.9	16.32	-	26.2	15.2	-	215	124
160	18.5	25	IE3	90.9	92.4	92.4	0.9	20.02	-	32.8	19.0	-	299	173
180	22	30	IE3	92.5	92.9	92.7	0.9	23.73	-	38.5	22.3	-	347	201
200	30	40	IE3	93.1	93.4	93.3	0.9	32.15	-	51.0	29.6	-	459	266
200	37	50	IE3	92.0	93.4	93.7	0.9	39.49	-	64.0	37.1	-	524	303
225	45	60	IE3	93.8	93.9	94.0	0.9	47.87	-	77.0	44.5	-	601	347

- ♦ MOTOR DATA ETM

50 Hz

VERTICAL MULTISTAGE PUMPS

NOTE

VERTICAL MULTISTAGE PUMPS

50 Hz

NOTE

50 Hz

VERTICAL MULTISTAGE PUMPS

NOTE



EBARA Pumps Europe S.p.A.

Via Torri di Confine 2/1 int. C
36053 Gambellara (Vicenza), Italia
Phone +39 0444 706811
Fax +39 0444 405811
ebara_pumps@ebaraeurope.com
www.ebaraeurope.com

EBARA Corporation
11-1, Haneda Asahicho, Ohta-ku,
Tokyo 144-8510, Japan
Phone +81 03-3743-6111
Fax +81 03-5736-3100
www.ebara.com

